

# SUBMITTAL DATA SHEET



**CLIMASURE™ SINGLE PACKAGE HEAT PUMPS**  
**(13 SEER, R-410A) 2 - 5 TON**  
**MODELS: UB024 thru 060**

JOB NAME:		LOCATION:		
PURCHASER:		ORDER NO:		
ENGINEER:				
SUBMITTED TO:	FOR:	REF:	APPROVAL:	CONSTRUCTION:
SUBMITTED BY:		DATE:		
UNIT DESIGNATION:		SCHEDULE NO.	MODEL NO.	

### COOLING PERFORMANCE

EFFICIENCY ----- SEER  
 TOTAL CAPACITY----- MBH  
 SENSIBLE CAPACITY ----- MBH  
 OUTDOOR DESIGN TMP. \_\_\_\_\_ °F DB/WB  
 TOTAL SUPPLY AIR ----- CFM  
 TEMP. OF AIR ENTERING  
 EVAPORATOR COIL ----- °F DB/WB  
 POWER INPUT REQ. ----- KW  
 (LESS BLOWER MOTOR)

### HEATING PERFORMANCE

CAPACITY  
 @ 47°F----- MBH  
 @ 17°F----- MBH  
 COEFFICIENT OF PERFORMANCE  
 @ 47°F----- MBH  
 @ 17°F----- MBH  
 RESISTANCE HEAT  
 MODEL NUMBER-- \_\_\_\_\_  
 CAPACITY----- MBH  
 VOLTS-----  
 POWER INPUT REQ. ----- KW

### SUPPLY AIR BLOWER PERFORMANCE

TOTAL SUPPLY AIR ----- CFM  
 TOTAL RESISTANCE EXTERNAL  
 TO UNIT ----- IWG  
 BLOWER SPEED (Circle)----- RPM  
 MOTOR RATING ----- HP  
 POWER INPUT REQ. ----- KW

### ELECTRICAL DATA

POWER SUPPLY ----- / /  
 TOTAL UNIT AMPACITY ----- AMPS  
 MAX. OVERCURRENT DEVICE  
 \_\_\_ FUSES \_\_\_ CIRCUIT BREAKER - AMPS

### TOTAL UNIT WEIGHT

TOTAL UNIT WEIGHT (operational) - LBS

### STANDARD FEATURES

- Two compact footprints to optimize performance and save installation space.
- Side electrical utility connections.
- Top discharge condenser air design with flush mounted grille guard.
- Full perimeter, removable base rails with built in shipping provisions.
- Unit cabinet is constructed of galvanized steel, with exterior surfaces coated with a non-chalking, powdered paint finish, certified at 1000 hours salt spray test per ASTM-B117 standards.
- Attractive cabinet design with single piece "Water-Shed" top cover and drip edge to deter water collection and longer life.
- Factory installed, attractive protection condenser coil grille.
- High efficient rifled tube with enhanced fin condenser and evaporator coils.
- Permanently lubricated outdoor and indoor motors.
- Constant torque indoor motor.
- Non corrosive condensate pan internally sloped to meet strict requirements of ASHRAE 62-89 Indoor Air Quality standard.
- Internal compressor protection (temperature and pressure).
- Standard cooling operation down to 45° F.
- Solid core filter drier standard.
- Ridged mounted, protected refrigerant access ports externally accessible.
- Colored wires for ease of service.
- Reliable demand defrost control with built-in anti-short cycle timer.
- Field installed electric heaters available.
- Warranties on all applications:
  - 5 years on the compressor
  - 5 years on electric heat element
  - 1 year limited parts

### CLEARANCES

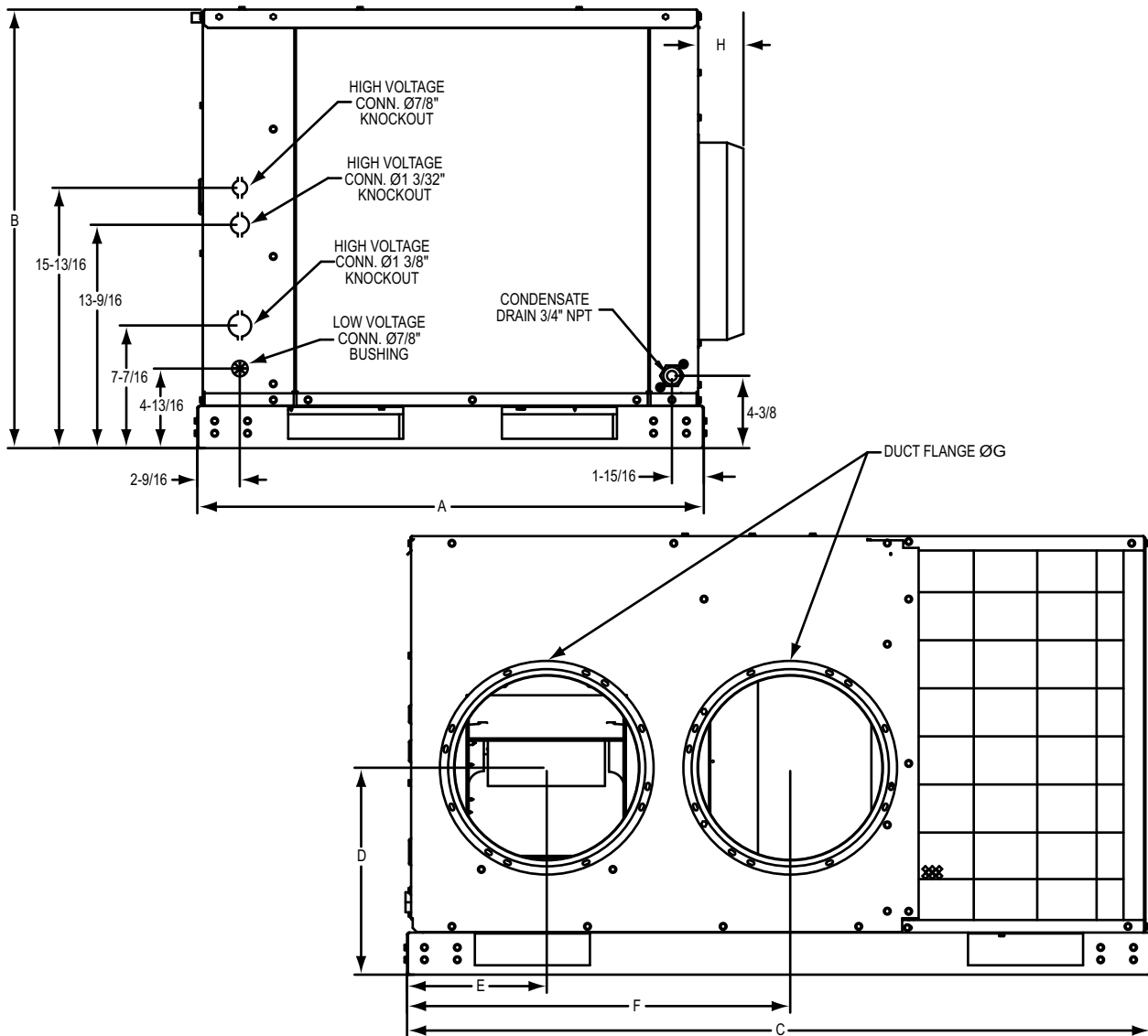
TOP<sup>1</sup>----- 60"  
 FRONT ----- 36"  
 REAR<sup>2</sup> ----- 18"  
 RIGHT SIDE ----- 24"  
 LEFT SIDE ----- 24"  
 BOTTOM----- 0"

1. Units must be installed outdoors. Over hanging structure or shrubs should not obscure condenser air discharge outlet.
2. Unit may be positioned to draw air from underneath structure.

#### NOTE:

- Refer to the latest technical guide for unit specifications.

## DIMENSIONS - INCHES



Size (Tons)	Dimensions							
	"A"	"B"	"C"	"D"	"E"	"F"	"G"	"H"
024 (2.0)	32 13/16	30 15/16	47 1/4	12 9/16	8 1/2	24 1/16	12	2 3/4
030 (2.5)	32 13/16	30 15/16	47 1/4	12 9/16	8 1/2	24 1/16	12	2 3/4
036 (3.0)	32 13/16	30 15/16	47 1/4	12 9/16	8 1/2	24 1/16	12	2 3/4
042 (3.5)	32 13/16	34 15/16	57 9/16	11 9/16	10 5/16	28 7/8	14	2 3/4
048 (4.0)	32 13/16	34 15/16	57 9/16	11 9/16	10 5/16	28 7/8	14	2 3/4
060 (5.0)	32 13/16	34 15/16	57 9/16	11 9/16	10 5/16	28 7/8	14	2 3/4

Subject to change without notice. Printed in U.S.A.  
 Copyright © 2009 by Johnson Controls, Inc. All rights reserved.

546135-LSD-A-1009  
 Supersedes: Nothing

**Johnson Controls Unitary Products**  
 5005 York Drive  
 Norman, OK 73069