

INSTALLATION INSTRUCTION

FILTER / FRAME KIT MODEL 1FF0110

Supersedes: Nothing

530.46-N1.18V (995)

035-13208

FOR SINGLE PACKAGE AIR CONDITIONERS 1.5 THRU 3.5 TON

GENERAL

This filter and frame kit may be used for horizontal or vertical air flow and with or without an economizer.

INSPECTION

The following list details the parts included in this kit. Inspect the kit to ensure that all listed parts are included.

CONTENTS OF KIT

| ITEM | QTY. | DESCRIPTION |
|------|------|------------------------------------|
| 1 | 1 | Upper Filter Rack |
| 2 | 1 | Bottom Filter Rack |
| 3 | 1 | Filter Bracket |
| 4 | 2 | Angle Bracket |
| 5 | 1 | High Velocity Permanent Filter, 1" |
| 6 | 8 | Hex Head Screw, #10 x 5/16" |

TOOLS REQUIRED FOR INSTALLATION

A hex nut driver $\frac{5}{16}$ " is the only tool needed to install this kit. This tool is not supplied with this kit and must be supplied at time of installation.

INSTALLATION

Install the filter and frame kit as follows:

1. Remove the 5 screws on the blower access panel and remove the panel.
2. Assemble the filter bracket to the bottom filter rack with two #10 screws.
3. For horizontal airflow applications, remove the two (2) screws from the bottom duct cover closest to the blower. For vertical airflow applications, the bottom duct cover will be removed and installed over the horizontal duct opening on the outside of the duct panel.
4. Place the filter bracket and bottom filter rack assembly into the unit and attach to the bottom duct flange with two (2) #10 screws.
5. Remove the left screw on the front heat exchanger plenum and the left screw on the back of the heat exchanger plenum.
6. Insert the tab on the upper filter rack into the notch in the filter bracket. Secure to the heat exchanger plenum with the screws removed in Step 5.
7. If the 1 inch filter will be used, install the angle bracket to the upper and bottom filter racks to act as spacers. If these brackets are not installed, the filter may rattle during operation. If the 2 inch filter will be used, the angle brackets are not needed.
8. Slide the filter into place and replace the blower access panel.

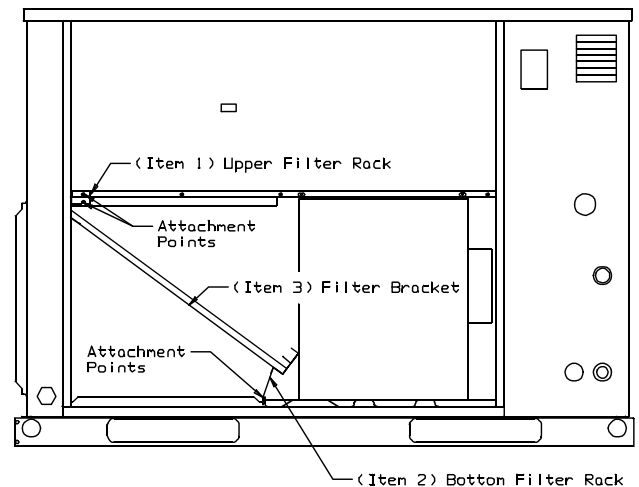
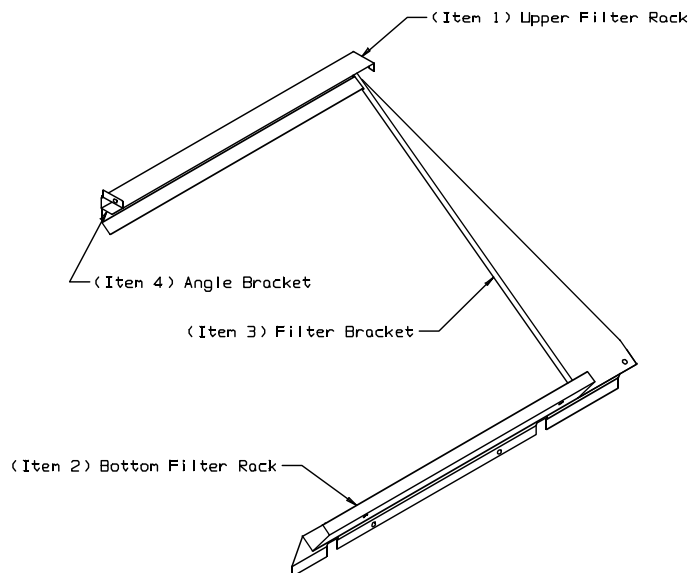


FIGURE 1 - FILTER / FRAME KIT ASSEMBLY

Subject to change without notice. Printed in U.S.A.
Copyright © by Unitary Products Group 1995. All rights reserved.

530.46-N1.18V

Unitary
Products
Group

745 Industrial
Parkway
West

Elyria
OH
44035