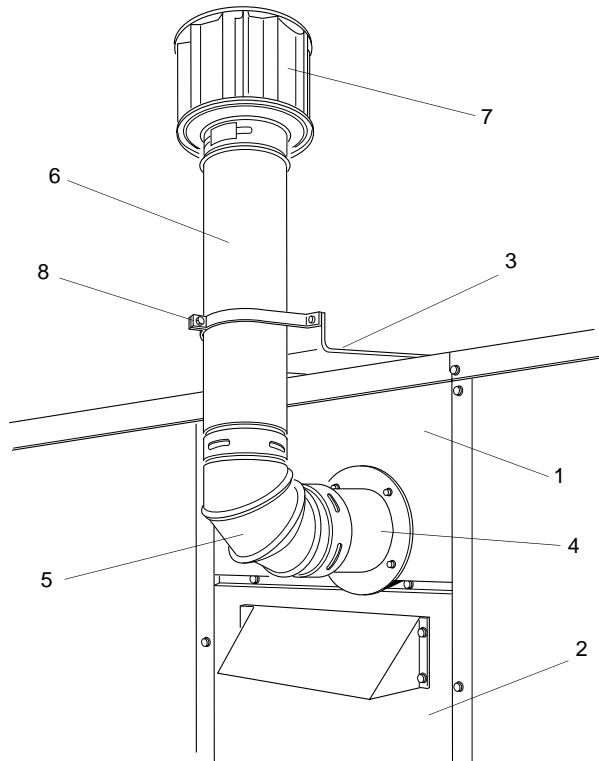


JOB NAME _____ LOCATION _____
PURCHASER _____ ORDER NO. _____
ENGINEER _____
SUBMITTED TO _____ FOR: Reference Approval Construction
SUBMITTED BY _____ DATE _____

UNIT DESIGNATION: Schedule No. _____ MODEL NO. _____



UNIT SIZE	DIMENSION "A"
3 THRU 6 TON	18.5"
7.5 AND 8.5 TON	32.5"
10 TON	26.5"
12.5 TON	18.5"

ITEM	QTY.	PART NUMBER	DESCRIPTION
1	1	073-18726-000	PANEL, TOP, GAS HEAT (FOR KIT 1FE0405 ONLY)
1	1	073-18728-001	PANEL, TOP, GAS HEAT (FOR KIT 1FE0406 ONLY)
2	1	073-18727-000	PANEL, BOTTOM, GAS HEAT (FOR KIT 1FE0405 ONLY)
3	1	073-18752-000	BRACKET, FLUE STACK
5	1	026-34701-000	B-VENT, 90 DEG. EL, 6" ADJ.
6	1	026-34702-000	B-VENT, STR., 6" DIA., 12" LG. (FOR KIT 1FE0405 ONLY)
7	1	026-34705-000	B-VENT, CAP, 6" DIA.

ITEM	QTY.	PART NUMBER	DESCRIPTION
1	1	073-18728-002	PANEL, TOP, GAS HEAT (FOR KIT 1FE0407 ONLY)
1	1	073-18728-003	PANEL, TOP, GAS HEAT (FOR KIT 1FE0408 ONLY)
2	1	073-18729-000	PANEL, BOTTOM, GAS HEAT (FOR KITS 1FE0406, 1FE0407 AND 1FE0408)
4	1	026-34699-000	COLLAR, START, 6"
6	1	026-34704-000	B-VENT, STR., 6" DIA., 24" LG. (FOR KITS 1FE0406, 1FE0407 AND 1FE0408)
8	1	026-34706-000	BRACKET, WALL, 6"

Subject to change without notice. Printed in the U. S. A.

FLUE EXHAUST KIT
MODEL 1FE0405, 1FE0406, 1FE0407 AND 1FE0408
FOR SINGLE PACKAGE ROOFTOP AIR CONDITIONERS
OR HEAT PUMPS WITH GAS FURNACE SECTIONS
3 THRU 12.5 TON UNITS

FORM 530.18-SD46L (1196)

Supersedes: Nothing

