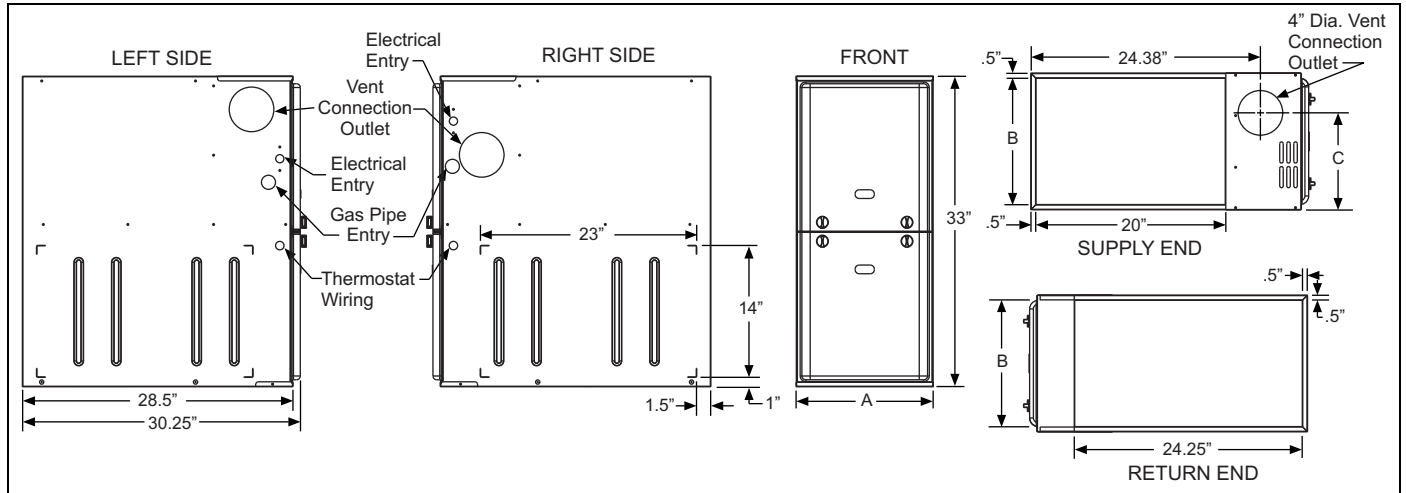


SUBMITTAL DATA SHEET

MULTI-POSITION TWO STAGE VARIABLE SPEED GAS FURNACES MODELS: TM8V/TMLV

JOB NAME:		LOCATION:		
PURCHASER:		ORDER NO:		
ENGINEER:				
SUBMITTED TO:	FOR:	REF:	APPROVAL:	CONSTRUCTION:
SUBMITTED BY:		DATE:		
UNIT DESIGNATION:		SCHEDULE NO.		MODEL NO.

DIMENSIONS - INCHES



BTUH (kW) Input	Nominal CFM	Cabinet Size	Cabinet Dimensions (Inches)			Approximate Operating Weights Lbs
			A	B	C	
TM(8,L)V060A12MP11	1200	A	14 1/2	13 3/8	10.3	94
TM(8,L)V080B12MP11	1200	B	17 1/2	16 3/8	11.8	103
TM(8,L)V080C16MP11	1600	C	21	19 7/8	13.6	114
TM(8,L)V100C16MP11	1600	C	21	19 7/8	13.6	118
TM(8,L)V100C20MP11	2000	C	21	19 7/8	13.6	122
TM(8,L)V120C20MP11	2000	C	21	19 7/8	13.6	129

Due to continuous product improvements, specifications are subject to change without notice. Installation and conversions of these furnaces must be made by qualified distributor, dealer, or contractor personnel.

PRODUCT DATA

Heating Performance

Input Capacity _____ MBH
 Output Capacity _____ MBH
 Air Temp. Rise _____ °F

Supply Air Blower Performance

Total Supply Air _____ CFM
 Total External Static Pressure _____ IWG
 Blower Cool Jumper _____ A B C D
 Blower Delay Tap _____ A, B, C
 Motor Rating _____ HP

Electrical Data

Power Supply _____ / /
 Total Unit Ampacity _____ AMPS
 Minimum Wire Size _____ AWG
 Maximum Overcurrent Device
 Fuses Circuit
 Breaker _____ AMPS

Unit Weight



ISO 9001
 Certified Quality
 Management System

FEATURES

- Two stage heating operation includes two stage gas valve, two stage inducer operation and variable speed ECM blower operation. Adjustable delay timer allows two stage operation with a single stage thermostat.
- Easily applied in upflow, horizontal left or right, or downflow installation with minimal conversion necessary.
- Compact, easy to install, ideal height 33" tall cabinet.
- ECM variable speed drive for cooling SEER enhancement, improved comfort with optional airflow delay profiles, and continuous fan options for IAQ performance.
- Easy access to controls to connect power/control wiring.
- Built-in, high level self diagnostics with fault code display.
- Low unit amp requirement for easy replacement application.
- All models are convertible to use propane (LP) gas.
- Electronic Hot Surface Ignition saves fuel cost with increased dependability and reliability.
- 100% shut off main gas valve for extra safety.
- 24V, 40 VA control transformer and blower relay supplied for add-on cooling.
- Hi-tech tubular aluminized steel primary heat exchanger.
- Solid removable bottom panel allows easy conversion.
- Airflow leakage less than 1% of nominal airflow for ductblaster conditions.
- No knockouts to deal with, making installation easier.
- Movable duct connector flanges for application flexibility.
- Quiet inducer operation, burner, and blower operation.
- Inducer rotates for easy conversion of venting options.
- Fully supported blower assembly for easy access and removal of blower.
- External air filters used for maximum flexibility in meeting customers IAQ needs.
- Insulated blower compartment for thermal and acoustic performance.
- Low NOx models have been designed to meet specific code requirements.
- Venting applications - may be installed as a common vent with other gas-fired appliances or use a lined masonry chimney.
- 1/4 turn knobs provided for easy door removal.

FIELD INSTALLED ACCESSORIES

Propane (LP) Conversion Kit -

1NP0347 - All Models

This accessory conversion kit may be used to convert natural gas units for propane (LP) operation.

Side Return Filter Racks -

1SR0200 - All Models

1SR0302 - All Models

1SF0101 - All Models

Bottom Return Filter Racks -

1BR0514 or 1BR0614 - For 14-1/2" cabinets

1BR0517 or 1BR0617 - For 17-1/2" cabinets

1BR0521 or 1BR0621 - For 21" cabinets

1BR05xx series are galvanized steel filter racks. 1BR06xx are pre-painted steel filter racks to match the appearance of the furnace cabinet.

EAC Transition Kits -

For installation of EAC accessories with these furnaces to provide easy transition of return airflow through the EAC to get the proper sealing and reduced airflow leakage.

1TK1001 - For all models using side return

1TK1014 - For 14-1/2" cabinets using bottom return

1TK1017 - For 17-1/2" cabinets using bottom return

1TK1021 - For 21" cabinets using bottom return

Combustible Floor Base Kit -

For installation of these furnaces in downflow applications directly onto combustible flooring material, These kits are required to prevent potential overheating situations. These kits are also required in any applications where the furnace is installed in a downflow configuration without an evaporator coil, where the combustible floor base kit provides access for combustible airflow.

1CB0514 - For 14-1/2" cabinets

1CB0517 - For 17-1/2" cabinets

1CB0521 - For 21" cabinets

Masonry Chimney Kits -

For installations where these furnaces are vented using existing or new lined masonry chimneys.

1CK0603

1CK0604

High Altitude Pressure Switches -

For installation where the altitude is less than 5,000 feet it is not required that the pressure switch be changed. For altitudes above 5,000 feet, see kits below.

TBD

Thermostats - Compatible thermostat controls are available through accessory sourcing. For optimum performance and installation, refer to the UPGNET "Low Voltage Wiring Diagram" document to select and apply controls.