

# SUBMITTAL DATA SHEET



## ROOF CURB

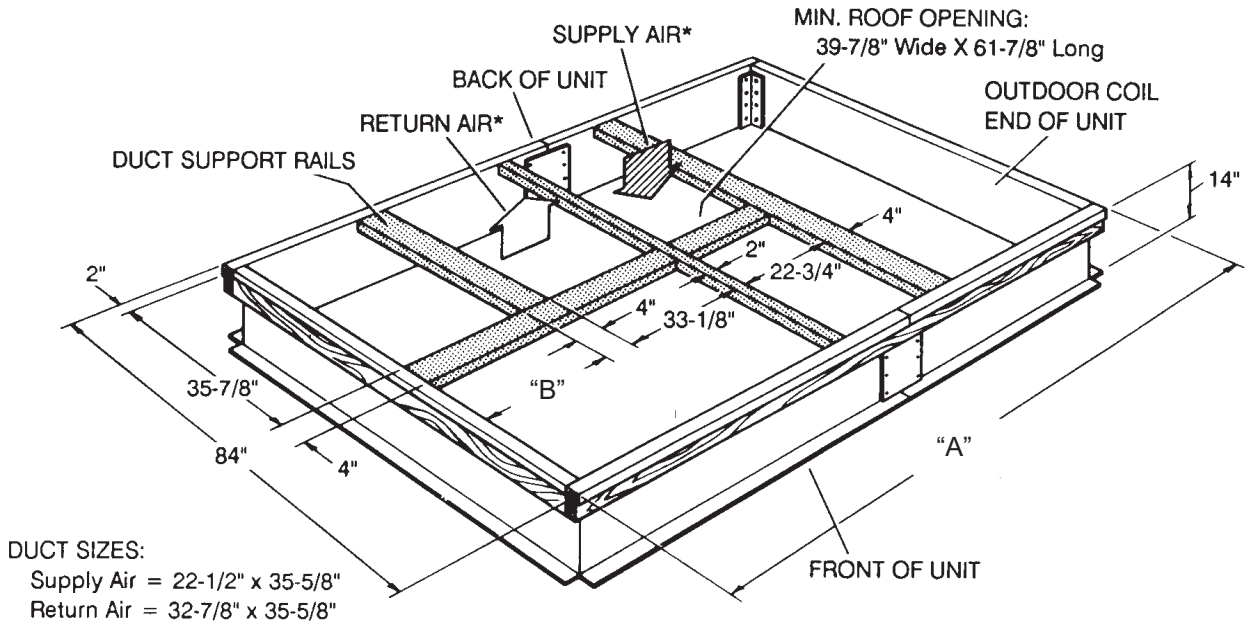
**MODEL:** 1RC0437

**FOR UNITS:** BA-20, BB-20, DU-18 thru -25, DW-15 thru -25,  
DL-20 thru -25, DK-15 thru -25, WW-15 thru -25,  
WK-15 thru -25, ZW-15 thru -25, ZS-18 thru -25, ZK-15 thru -25

<b>JOB NAME:</b>		<b>LOCATION:</b>		
<b>PURCHASER:</b>		<b>ORDER NO.:</b>		
<b>ENGINEER:</b>				
<b>SUBMITTED TO:</b>	<b>FOR:</b>	<b>REF:</b>	<b>APPROVAL:</b>	<b>CONSTRUCTION:</b>
<b>SUBMITTED BY:</b>		<b>DATE:</b>		
<b>UNIT DESIGNATION:</b>		<b>SCHEDULE NO.</b>	<b>MODEL NO.</b>	

\* Supply and Return Air (including duct support rails) as shown, are typical for bottom duct applications.

For location of horizontal duct applications (on back of unit), refer to Unit Dimension details.



ROOF CURB MODEL NUMBER	DIMENSION "A"	DIMENSION "B"
1RC0437	126-1/4"	25-1/4"

**NOTE:**

1. Roof curb is built to NRCA standards.
2. Roof curb is constructed of 18 gauge G90 steel.
3. Unit duct supports are provided.
4. Full perimeter 4 wood nailer.
5. Curbs are shipped unassembled.
6. Corner hinge pins are used for assembly.

**SUGGESTED ROOF OPENING**

MODEL	LENGTH	WIDTH
1RC0437	87"	80"

Refer to price pages for other details.

Subject to change without notice. Printed in U.S.A.  
Copyright © 2008 by Johnson Controls, Inc. All rights reserved.

433505-LSD-A-0908  
Supersedes: 036-22211-001-A-0502

**Johnson Controls Unitary Products**  
5005 York Drive  
Norman, OK 73069