

ACCESSORY KIT INSTALLATION MANUAL

BLOWER - OFF DELAY KIT - 2FD06700224

FOR USE WITH: ALL TYPE COOLING ONLY AND HEAT PUMP SYSTEMS

GENERAL INFORMATION

This kit is designed to be used whenever the application requires unit efficiency improvement through delayed blower off timing. The normal one minute blower off timing occurs on completion of the cycle.

This kit contains the following:

1. A time delay with attached cont.rol wires.
2. Two #6 screws 3/4" long
3. One plastic wire tie with an eyelet end.

NOTE: Wiring and installation of the blower delay kit must comply with local and/or national code requirements.

INSTALLATION INSTRUCTIONS

1. Open all disconnect switches to the unit.
2. Remove access panel of unit.
3. Remove blower delay from carton.
4. Remove plastic wire tie shipped inside of the blower delay enclosure. Use to secure wires after installation.

5. Mount the blower delay at a convenient location and complete the wiring as indicated in the Field Wiring Diagram (Figure 1). The relay must be located inside of the air handler or furnace cabinet.
6. Reinstall all access panels previously removed.
7. Close all disconnect switches to the unit.
8. Refer to "Electrical Checkout Procedure."

ELECTRICAL CHECKOUT PROCEDURE

After connecting power to the unit (on models having an O.D. unit logic board connect power for at least five minutes) set the thermostat switch to cooling and the fan switch to auto. Adjust the thermostat temperature level so that cooling is required. The blower motor should start immediately.

Next, the thermostat should be adjusted to turn the condensing unit off. The blower should continue to run for approximately 60 seconds. If the above noted operation does not occur, check the low voltage wiring for errors.

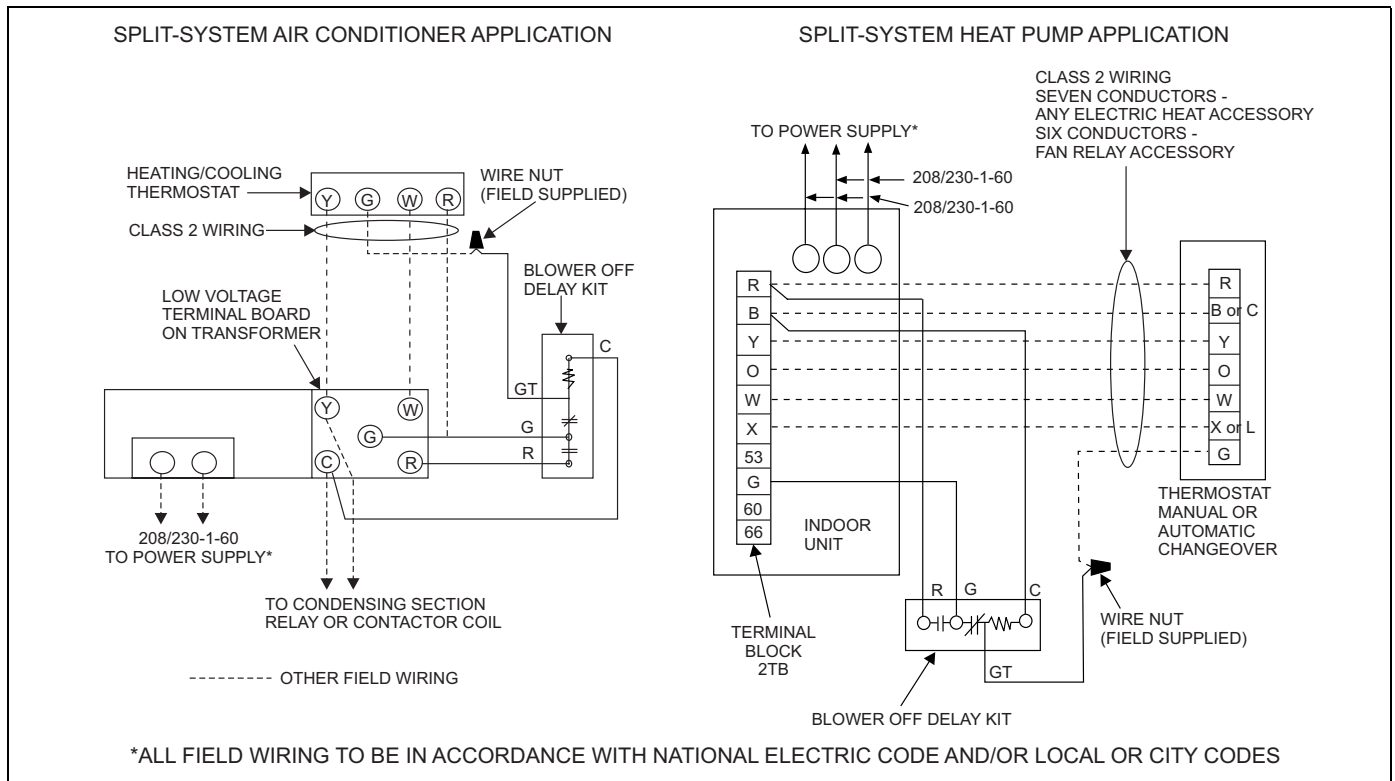


FIGURE 1: Field Wiring Diagrams