

SUBMITTAL DATA SHEET

MagnaDRY™
GAS/ELECTRIC SINGLE PACKAGE AIR CONDITIONERS
MODELS: ZK-03, -04, & -05



JOB NAME:		LOCATION:		
PURCHASER:		ORDER NO:		
ENGINEER:				
SUBMITTED TO:	FOR:	REF:	APPROVAL:	CONSTRUCTION:
SUBMITTED BY:		DATE:		
UNIT DESIGNATION:		SCHEDULE NO.	MODEL NO.	

COOLING PERFORMANCE

TOTAL CAPACITY ----- MBH
 SENSIBLE CAPACITY ----- MBH
 OUTDOOR DESIGN TMP. _____ °F DB/WB
 TOTAL SUPPLY AIR ----- CFM
 TEMP. OF AIR ENTERING
 EVAPORATOR COIL ----- °F
 POWER INPUT REQ. ----- KW
 (LESS BLOWER MOTOR)

HEATING PERFORMANCE

ELECTRIC HEAT ----- KW
 GAS-FIRED INPUT-CAP. ----- MBH

SUPPLY AIR BLOWER PERFORMANCE

TOTAL SUPPLY AIR ----- CFM
 EXT. STATIC PRESS. ----- IWG
 BLOWER SPEED ----- RPM
 POWER OUTPUT REQ. ----- BHP
 MOTOR RATING ----- HP
 POWER INPUT REQ. ----- KW

ELECTRICAL DATA

POWER SUPPLY -----
 TOTAL UNIT AMPACITY ----- AMPS
 MAX. OVERCURRENT DEVICE
 ___ FUSE ___ BREAKER ----- AMPS

TOTAL UNIT WEIGHT

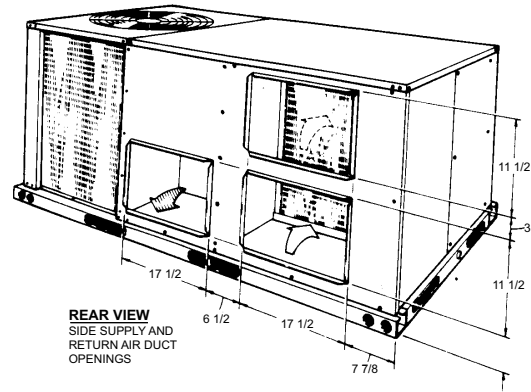
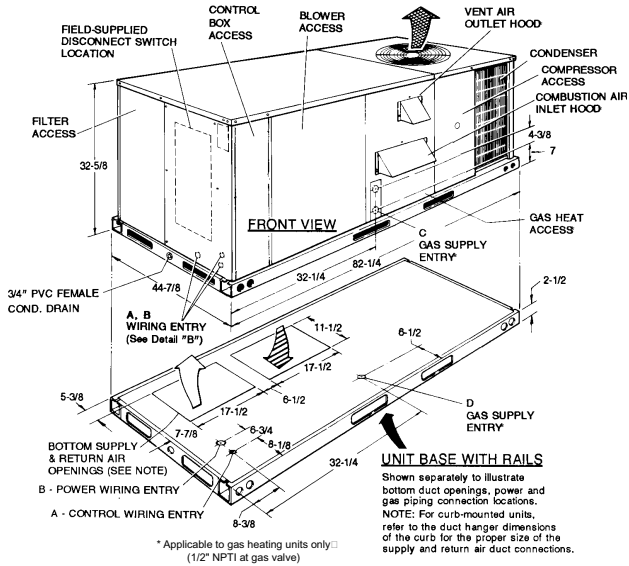
INCLUDING FACTORY-INSTALLED
 OPTIONS ----- LBS

FACTORY INSTALLED OPTIONS

SINGLE INPUT ELECTRONIC ENTHALPY ECONOMIZERS -----
 MOTORIZED OUTDOOR AIR INTAKE DAMPER -----
 PHENOLIC COATED EVAPORATOR COILS -----
 PHENOLIC COATED CONDENSER COILS -----
 ELECTRIC HEATERS -----
 FILTER (2" PLEATED) -----
 POWERED CONVENIENCE OUTLET -----
 NON-POWERED CONVENIENCE OUTLET -----
 DISCONNECT SWITCH -----
 BAS - (BUILDING AUTOMATION SYSTEMS) -----
 Simplicity® Intelli-Comfort™ -----
 Honeywell™ -----
 Novar® -----
 Johnson -----
 CPC -----
 SMOKE DETECTOR (RETURN) -----
 SMOKE DETECTOR (SUPPLY) -----
 COIL GUARD -----
 STAINLESS STEEL HEAT EXCHANGER -----
 STAINLESS STEEL DRAIN PAN -----
 BAS READY ECONOMIZER (2-10 V.D.C. ACTUATOR WITHOUT
 A CONTROLLER) -----
 AIR PROVING SWITCH -----
 PHASE MONITOR -----
 BELT DRIVE -----
 BELT DRIVE (HIGH STATIC) -----
 DIRECT DRIVE -----
 DIRTY FILTER SWITCH -----
 HINGED FILTER DOOR/"TOOLLESS" BLOWER AND
 ACCESS PANELS (NOT HINGED) -----

FIELD INSTALLED ACCESSORIES

SINGLE INPUT ELECTRONIC ENTHALPY ECONOMIZERS -----
 ENTHALPY ACCESSORY CONTROL KIT (DUAL) -----
 MOTORIZED OUTDOOR AIR INTAKE DAMPER -----
 ROOF CURBS -----
 HIGH ALTITUDE NATURAL GAS -----
 PROPANE CONVERSION -----
 HIGH ALTITUDE PROPANE -----
 BAROMETRIC RELIEF DAMPER -----
 BURGLAR BARS -----
 FLUE EXHAUST EXTENSION KIT -----
 CO2 SENSOR, UNIT MOUNT -----
 CO2 SENSOR, SPACE MOUNT -----
 DIRTY FILTER SWITCH -----
 AIR PROVING SWITCH -----
 POWER EXHAUST -----
 ELECTRIC HEAT -----
 LOW NOx KIT -----
 COIL GUARDS -----
 HAIL GUARDS -----
 LOW AMBIENT KIT -----
 GAS PIPING KIT -----
 WALL MOUNT TEMPERATURE SENSOR (Intelli-Comfort™) -----
 WALL MOUNT TEMPERATURE SENSOR WITH
 OVERRIDE (Intelli-Comfort™) -----
 WALL MOUNT TEMPERATURE SENSOR WITH
 OVERRIDE & SET POINT ADJ. (Intelli-Comfort™) -----
 HUMIDITY SENSOR (Intelli-Comfort™) -----

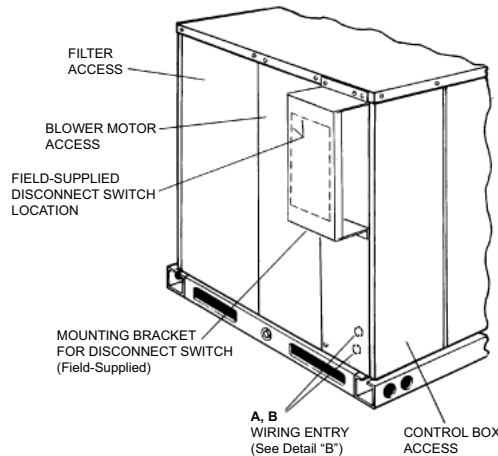


UTILITIES ENTRY DATA

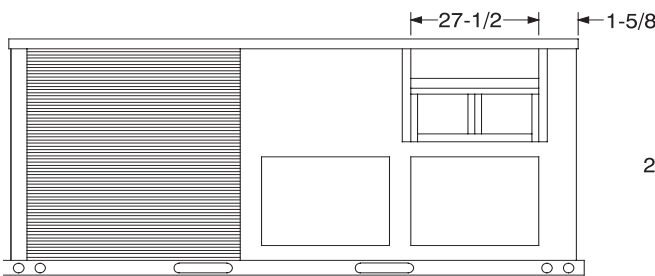
HOLE	KNOCKOUT SIZE (DIA.)	USED FOR
A	7/8"	Control Wiring (Side or Bottom)
B	2"	Power Wiring (Side or Bottom)
C	1-5/8"	Gas Piping (Front)
D	1-1/2"	Gas Piping (Bottom)

UNIT BASE WITH RAILS
 Shown separately to illustrate bottom duct openings, power and gas piping connection locations.
 NOTE: For curb-mounted units, refer to the duct hanger dimensions of the curb for the proper size of the supply and return air duct connections.

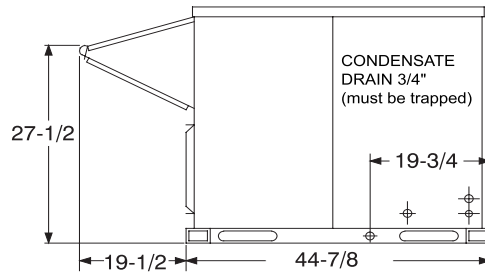
* Applicable to gas heating units only (1/2" NPTI at gas valve)



DISCONNECT SWITCH LOCATION AND MOTOR ACCESS PANEL FOR UNIT WITH "BELT-DRIVE" OPTION

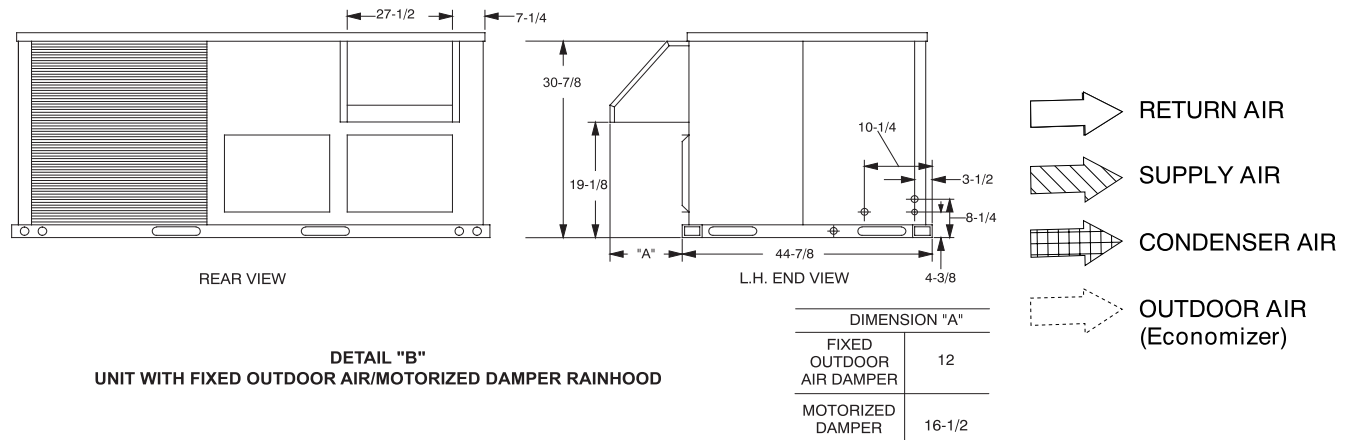


REAR VIEW



L.H. END VIEW

**DETAIL "A"
 UNIT WITH ECONOMIZER RAINHOOD**



DETAIL "B"
UNIT WITH FIXED OUTDOOR AIR/MOTORIZED DAMPER RAINHOOD

MINIMUM CLEARANCES

LOCATION	CLEARANCE
Front	24" (Cooling/Electric Heat) 32" (Gas Heat)
Rear	12" (Less Economizer) 36" (With Economizer or Fixed Air/Motorized Damper)
Left Side (Filter Access)	24" (Less Economizer) 36" (With Economizer)
Right Side (Cond. Coil)	24"
Below Unit ¹	0"
Above Unit ²	72" (For Condenser Air Discharge)

- Units may be installed on combustible floors made from wood or class A, B, or C roof covering material.
- Units must be installed outdoors. Overhanging structures or shrubs should not obstruct condenser air discharge outlet.

NOTE: A 1" clearance must be provided between any combustible material and the supply air ductwork for a distance of 3 feet from the unit.

NOTE: The products of combustion must not be allowed to accumulate within a confined space and recirculate.

NOTE: Locate unit so that the vent air outlet hood is at least:

- Three (3) feet above any force air inlet located within 10 horizontal feet (excluding those integral to the unit).
- Four (4) feet below, four horizontal feet from, or one foot above any door or gravity air inlet into the building.
- Four (4) feet from electric and gas meters, regulators and relief equipment.

NOTE: Units and ductwork are approved for zero clearance to combustible materials when equipped with electric heaters.

NOTE: All entry holes should be field sealed to prevent rain water entry into building.

NOTES

REFER TO THE TECHNICAL GUIDE FOR THE LIST OF STANDARD FEATURES

ATTACHED **NOT ATTACHED**

Subject to change without notice. Printed in U.S.A.
Copyright © 2008 by Johnson Controls, Inc. All rights reserved.

411942-LSD-A-0608
Supersedes: Nothing

Johnson Controls Unitary Products
5005 York Drive
Norman, OK 73069