

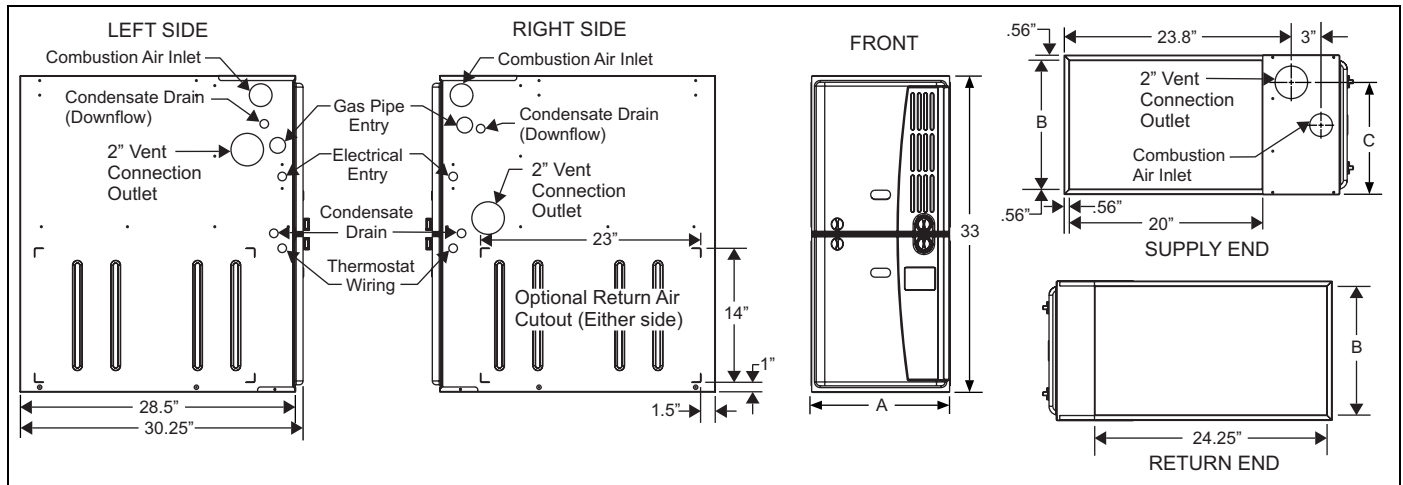
# SUBMITTAL DATA SHEET



## 97% MODULATING GAS-FIRED RESIDENTIAL MULTI-POSITION GAS FURNACES (PSC MOTOR) MODELS: LM9M

JOB NAME:		LOCATION:		
PURCHASER:		ORDER NO:		
ENGINEER:				
SUBMITTED TO:	FOR:	REF:	APPROVAL:	CONSTRUCTION:
SUBMITTED BY:		DATE:		
UNIT DESIGNATION:		SCHEDULE NO.		MODEL NO.

### DIMENSIONS - INCHES



BTUH (kW) Input	Nominal CFM	Cabinet Size	Cabinet Dimensions (Inches)			Approximate Operating Weights  Lbs
			A	B	C	
LM9M060B12MP11	1200	B	17 1/2	16 3/8	13 1/4	122
LM9M080B12MP11	1200	B	17 1/2	16 3/8	16 1/4	126
LM9M080C16MP11	1600	C	21	19 7/8	19 3/4	136
LM9M100C16MP11	1600	C	21	19 7/8	19 3/4	142
LM9M100C20MP11	2000	C	21	19 7/8	19 3/4	145
LM9M120D20MP11	2000	D	24 1/2	23 3/8	22 3/4	156

Due to continuous product improvements, specifications are subject to change without notice. Installation and conversions of these furnaces must be made by qualified distributor, dealer, or contractor personnel.

### PRODUCT DATA

#### Heating Performance

Input Capacity \_\_\_\_\_ MBH  
 Output Capacity \_\_\_\_\_ MBH  
 Air Temp. Rise \_\_\_\_\_ °F

#### Supply Air Blower Performance

Total Supply Air \_\_\_\_\_ CFM  
 Total External Static Pressure \_\_\_\_\_ IWG  
 Blower Speed (circle) \_\_\_\_ H MH ML L  
 Motor Rating \_\_\_\_\_ HP

#### Electrical Data

Power Supply \_\_\_\_\_ / \_\_\_\_\_ / \_\_\_\_\_  
 Total Unit Ampacity \_\_\_\_\_ AMPS  
 Minimum Wire Size \_\_\_\_\_ AWG  
 Maximum Overcurrent Device  
 Fuses  Circuit Breaker \_\_\_\_\_ AMPS

#### Unit Weight

Total Unit Weight \_\_\_\_\_ LBS



ISO 9001  
 Certified Quality  
 Management System

## FEATURES

- Modulating heating operation includes:
  - Modulating gas valve, inducer and circulating blower
  - Modulating operation from 100% to 35% input in 100% increments with nearly constant temperature rise.
- Easily applied in upflow, horizontal left or right, or downflow installation with minimal conversion necessary.
- Compact, easy to install, ideal height 33" tall cabinet.
- Blower-off delay for cooling SEER improvement.
- Easy access to controls to connect power/control wiring.
- Built-in, high level self diagnostics with fault code display.
- Low unit amp requirement for easy replacement application.
- All models are convertible to use propane (LP) gas.
- Electronic Hot Surface Ignition saves fuel cost with increased dependability and reliability.
- 100% shut off main gas valve for extra safety.
- High-efficiency direct drive motor.
- 24V, 40 VA control transformer and blower relay supplied for add-on cooling.
- Hi-tech tubular aluminized steel primary heat exchanger with stainless steel tube/aluminum fin secondary heat exchanger for outstanding efficiency.
- Solid removable bottom panel allows easy conversion.
- Airflow leakage less than 1% of nominal airflow for ductblaster conditions.
- No knockouts to deal with, making installation easier.
- Movable duct connector flanges for application flexibility.
- Quiet inducer operation, burner, and blower operation.
- Inducer rotates for easy conversion of venting options.
- Fully supported blower assembly for easy access and removal of blower.
- External air filters used for maximum flexibility in meeting customers IAQ needs.
- Insulated blower compartment for thermal and acoustic performance.
- 1/4 turn knobs provided for easy independent door removal.
- Internal condensate trap design (patent pending) provides condensate management options, easy visual operation check, and is self priming to prevent nuisance problems.

---

## FIELD INSTALLED ACCESSORIES

### **PROPANE (LP) CONVERSION KIT -**

1NP0680 - All Models

This accessory conversion kit may be used to convert natural gas (N) units for propane (LP) operation.

### **CONCENTRIC VENT TERMINATION -**

S1-1CT0302 (2")

S1-1CT0303 (3")

For use through rooftop, sidewall. Allows combustion air to enter and exhaust to exit through single common hole. Eliminates unsightly elbows for a cleaner installation.

### **SIDEWALL VENT TERMINATION KIT -**

S1-1HT0901 (3")

S1-1HT0902 (2")

For use on sidewall, two-pipe installations only. Provide a more attractive termination for locations where the terminal is visible on the side of the home.

### **CONDENSATE NEUTRALIZER KIT - 1NK0301**

Neutralizer cartridge has a 1/2" plastic tube fittings for installation in the drain line. Calcium carbonate refill media is also available from the Source 1 Parts (p/n 026-30228-000).

### **SIDE RETURN FILTER RACKS -**

1SR0200 - All Models

1SR0402 - All Models

1SF0101 - All Models

### **BOTTOM RETURN FILTER RACKS -**

1BR0517 or 1BR0617 - For 17-1/2" cabinets

1BR0521 or 1BR0621 - For 21" cabinets

1BR0524 or 1BR0624 - For 24-1/2" cabinets

1BR05xx series are galvanized steel filter racks. 1BR06xx are pre-painted steel filter racks to match the appearance of the furnace cabinet.

### **COMBUSTIBLE FLOOR BASE KIT -**

For installation of these furnaces in downflow applications directly onto combustible flooring material, These kits are required to prevent potential overheating situations. These kits are also required in any applications where the furnace is installed in a downflow configuration without an evaporator coil, where the combustible floor base kit provides access for combustible airflow.

1CB0517 - For 17-1/2" cabinets

1CB0521 - For 21" cabinets

1CB0524 - For 24-1/2" cabinets

### **EAC TRANSITION KITS -**

For installation of EAC accessories with these furnaces to provide easy transition of return airflow through the EAC to get the proper sealing and reduced airflow leakage.

1TK1001 - For all models using side return

1TK1017 - For 17-1/2" cabinets using bottom return

1TK1021 - For 21" cabinets using bottom return

1TK1024 - For 24-1/2" cabinets using bottom return

**HIGH ALTITUDE** - No high altitude kits are required.