

ACCESSORY KIT INSTALLATION MANUAL

COMPRESSOR CONVERSION KIT S1-37327831001

FOR USE WITH MODELS: PHP024H1321A and JP024C00A1AAA1A HEAT PUMPS

GENERAL INFORMATION

The original compressor S1-01503835001 is being phased out by the manufacturer. Style "B" heat pumps will use compressor S1-01504081001. In order to use the newer compressor on the Style "A" heat pumps modifications to the piping are required.

This kit contains a check valve, discharge connection tube, and a tube connection from the compressor to the accumulator.

INSTALLATION

1. Remove and discard the old discharge line and muffler. Do not remove the line from the muffler to the reversing valve as this will still be required. Remove and discard the old connection line from the accumulator to the compressor. The compressor can now be removed.
2. Install the new compressor. Install the new connection tube between the compressor and accumulator. Install the check valve to the existing connection line to the reversing valve, making sure the direction arrow on check valve is going the proper way (flow is toward the reversing valve). Install the discharge connection tube between the compressor and check valve.

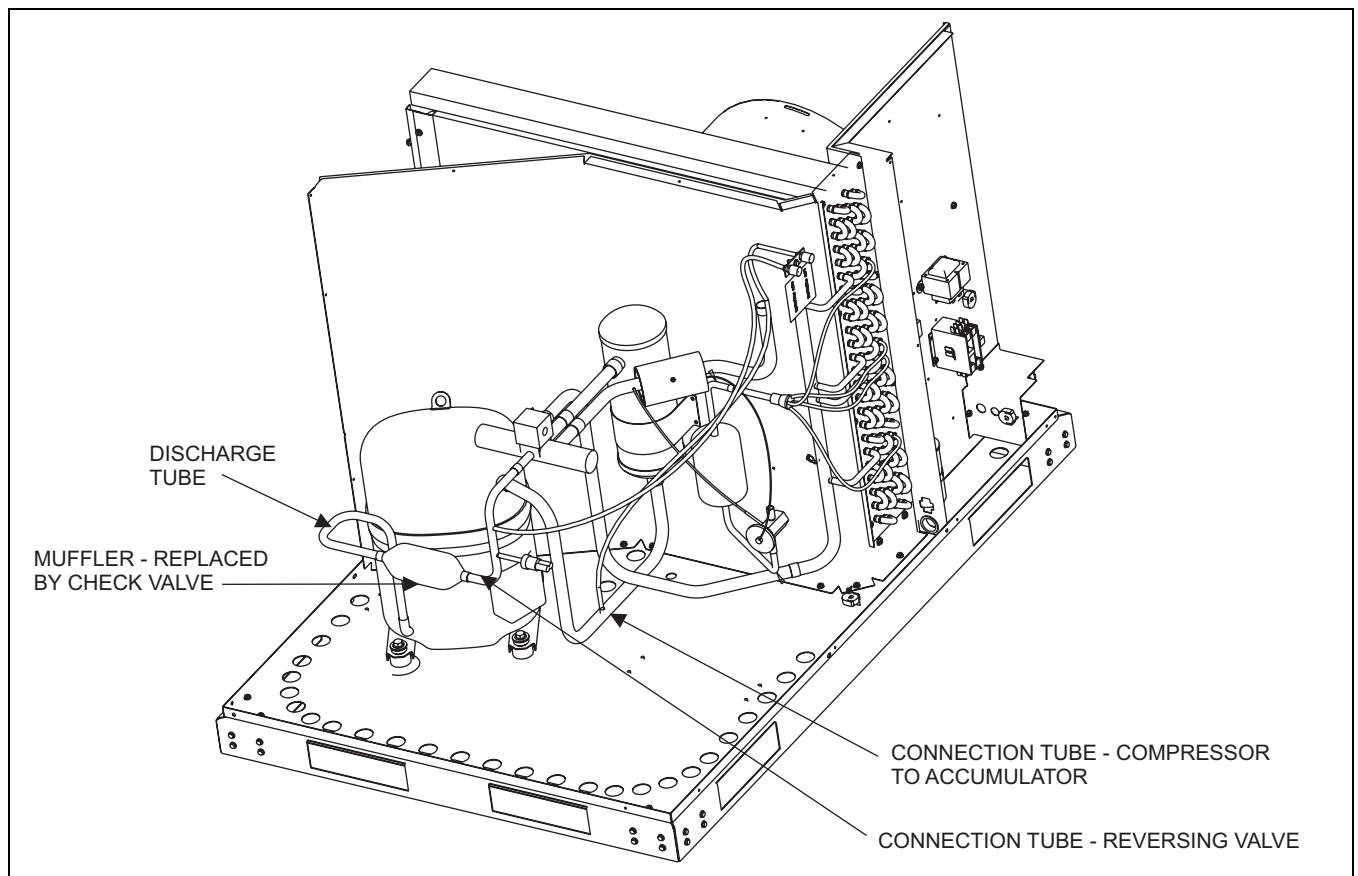


FIGURE 1