

ACCESSORY KIT INSTALLATION MANUAL

CONTROL BOX SNOW KIT – S1-37327819001

FOR USE WITH MODELS: YMA, YMB, YZB, YZE, YZH, HC*A, HC*B, HL*A, HL*B

GENERAL INFORMATION

Purpose: This kit is provided to seal the control box area from the intrusion of snow on heat pump models. This kit includes 1 ea panel foam strip for small and large cabinets (Figure 1), a control box foam strip (Figure 2), a universal snap bushing (Figure 3), a notice label and multiple wiring diagrams for replacement should the existing label be covered during installation of the foam seal strip.

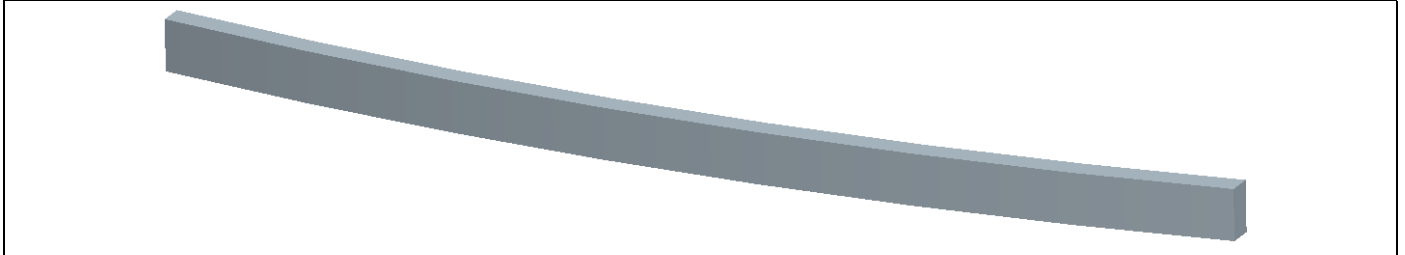


FIGURE 1: Panel Foam Strip



FIGURE 2: Control Box Foam Strip

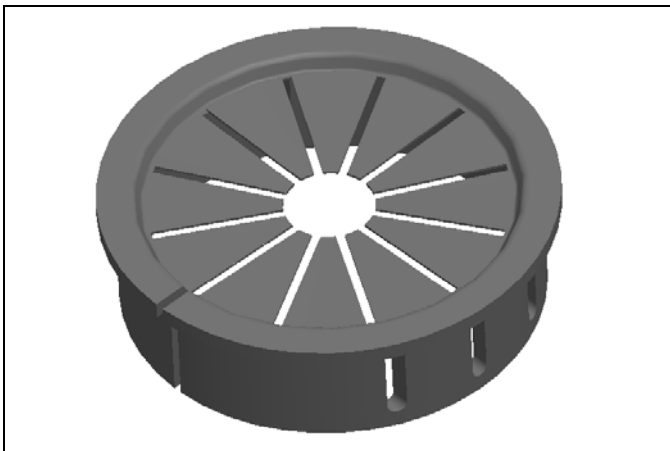


FIGURE 3: Universal Snap Bushing

INSTALLATION INSTRUCTIONS

1. Disconnect power supply from unit.
2. Remove access panel from unit and install appropriate panel foam strip on access panel per Figure 4.
3. Remove the four screws of the control box to take the entire control box assembly out.
4. Wipe off any moisture, dust and grease near the top of the control box and install the control box foam strip per Figures 5-7.
5. Apply notice label to left side of the control box.
6. Disconnect all wires traveling through the existing open snap bushing in the bottom center of the control box. Install new universal snap bushing and reconnect wires.
7. Put the control box assembly back and tighten all four attachment screws.
8. Apply new wiring diagram label to lower center portion of rear access panel if existing diagram was partially covered in step 2.
9. Reapply power and confirm proper operation of unit.
10. Reinstall access panel.



FIGURE 4: Foam Strip on Panel

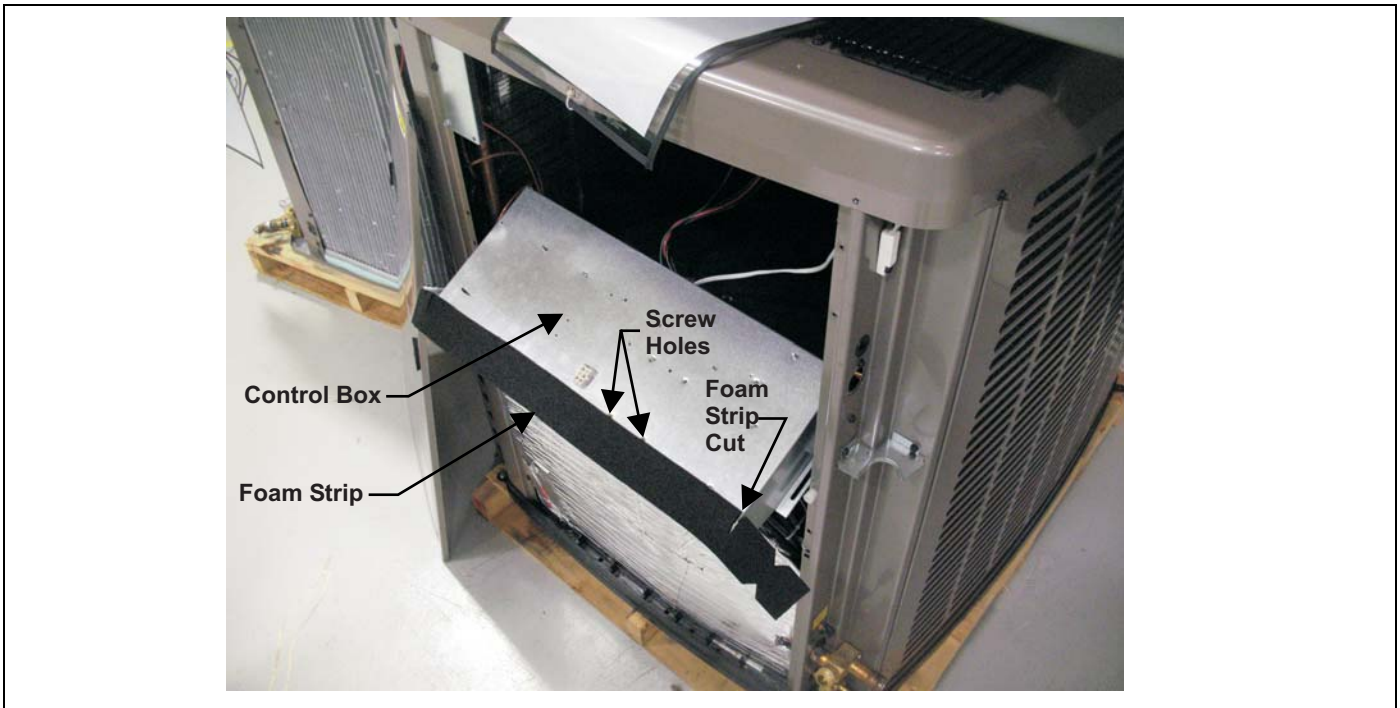


FIGURE 5: Foam Strip on Back of Control Box

Stick the foam strip to the back of control box. Make sure it is at the location that it does not cover the screw holes.



FIGURE 6: Foam Strip on Front

Wrap the foam strip to the front. Make sure it does not cover any screw holes from the front. Squeeze the foam strip along the control box edge to prevent it from coming off.

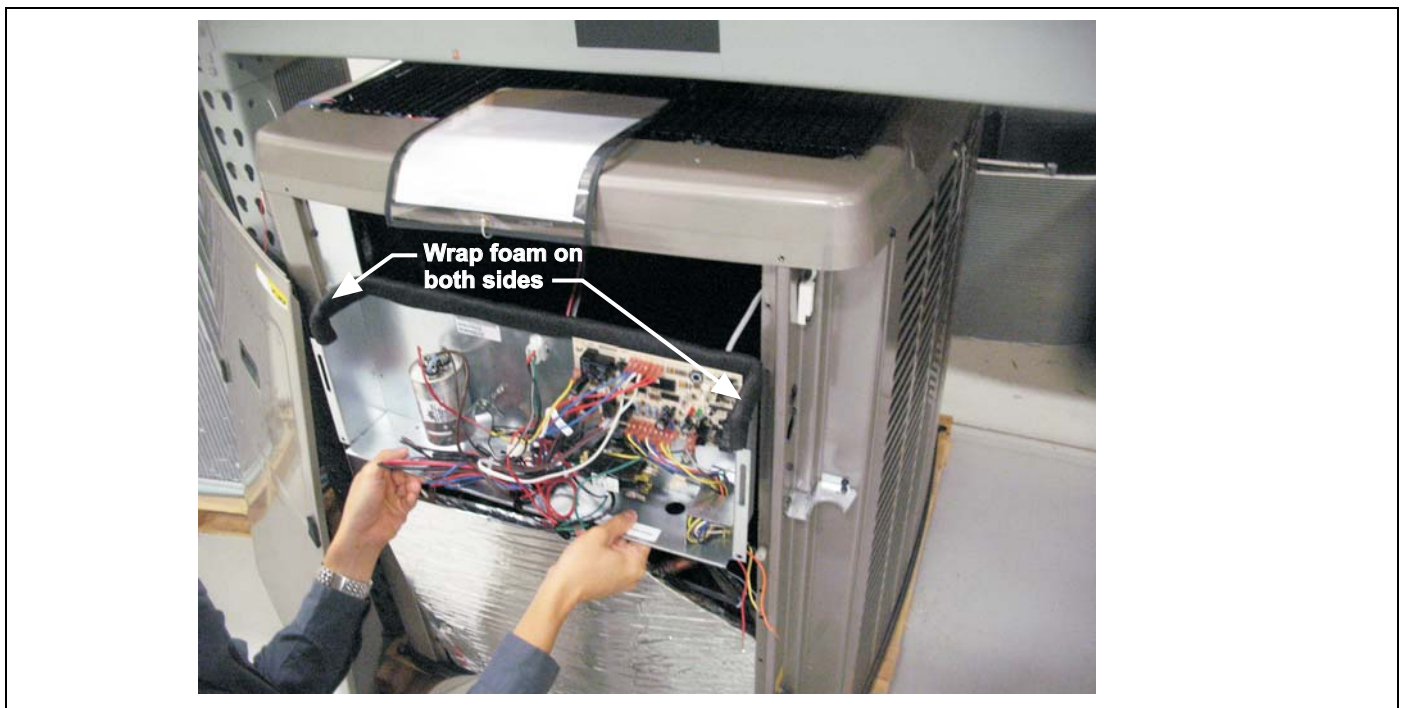


FIGURE 7: Foam Strip on Both Sides of Control Box

Wrap the foam strip on both sides of the control box as indicated. Squeeze the foam to prevent it from coming off.

Below is a list of affected models:

HC2A024F1 A	HC3B060F2 A	HL3A048F1 A	YMA03011 A	YZB06012 A
HC2A030F1 A	HC5B024F1 B	HL3A060F1 A	YMA03611 A	YZE02411 B
HC2A036F1 A	HC5B036F1 C	HL3B018F1 A	YMA04211 A	YZE02411HW A
HC2A042F1 A	HC5B048F1 B	HL3B024F1 A	YMA04811 A	YZE02411MX A
HC2A048F1 A	HC5B060F1 B	HL3B030F1 A	YMA06011 A	YZE03611 C
HC2A060F1 A	HC8B024F1 A	HL3B036F1 B	YMB01811 A	YZE03611HW A
HC3A018F1 A	HC8B036F1 A	HL3B042F1 A	YMB02411 A	YZE03611MX A
HC3A024F1 A	HC8B048F1 A	HL3B048F1 B	YMB03011 A	YZE03811 B
HC3A030F1 A	HC8B060F1 A	HL3B048F2 A	YMB03611 B	YZE03811HW A
HC3A036F1 B	HL2A024F1 A	HL3B060F1 B	YMB04211 A	YZE03811MX A
HC3A042F1 A	HL2A030F1 A	HL3B060F2 A	YMB04811 A	YZE04811 B
HC3A048F1 A	HL2A036F1 A	HL5B024F1 B	YMB06011 A	YZE04811HW A
HC3A060F1 A	HL2A042F1 A	HL5B036F1 C	YZB01811 A	YZE04811MX A
HC3B018F1 A	HL2A048F1 A	HL5B048F1 B	YZB02411 A	YZE06011 B
HC3B024F1 A	HL2A060F1 A	HL5B060F1 B	YZB03011 A	YZE06011HW A
HC3B030F1 A	HL3A018F1 A	HL8B024F1 A	YZB03611 B	YZE06011MX A
HC3B036F1 B	HL3A024F1 A	HL8B036F1 A	YZB04211 A	YZH02411 A
HC3B042F1 A	HL3A030F1 A	HL8B048F1 A	YZB04811 B	YZH03611 A
HC3B048F1 B	HL3A036F1 B	HL8B060F1 A	YZB04812 A	YZH04811 A
HC3B048F2 A	HL3A042F1 A	YMA02411 A	YZB06011 B	YZH06011 A
HC3B060F1 B				