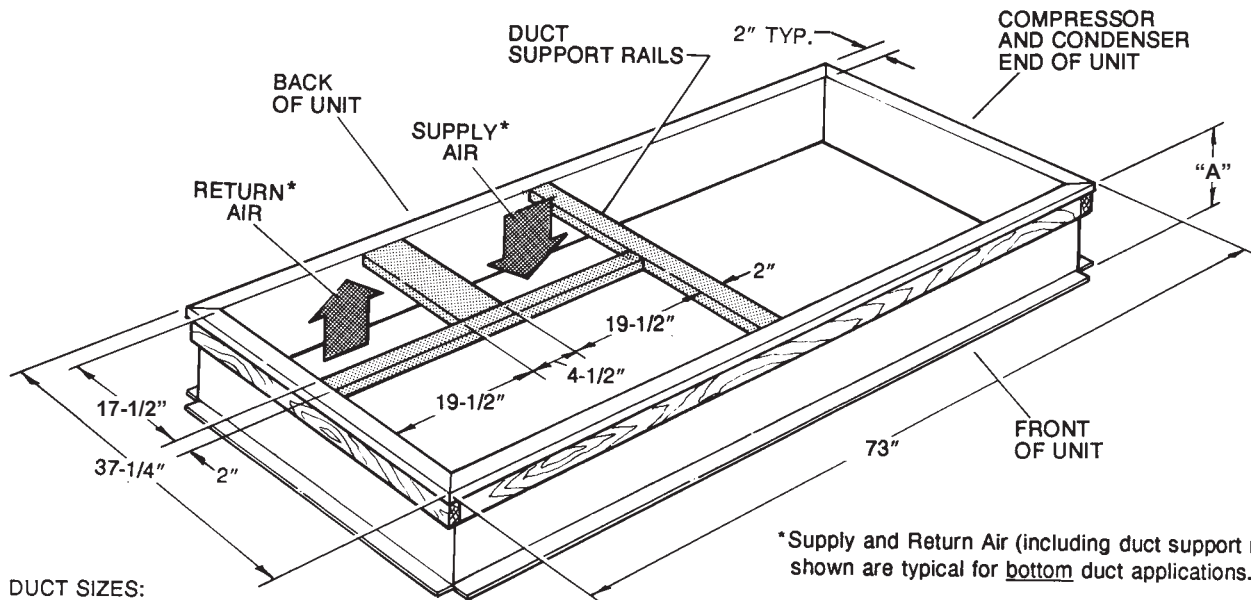


# SUBMITTAL DATA SHEET

**ROOF CURB (FOR 3 - 6 TON SINGLE PACKAGE ROOFTOP MODELS WITH & WITHOUT BOTTOM CONDENSATE DRAIN)  
MODEL: 1RC0442**



JOB NAME:		LOCATION:		
PURCHASER:		ORDER NO:		
ENGINEER:				
SUBMITTED TO:	FOR:	REF:	APPROVAL:	CONSTRUCTION:
SUBMITTED BY:		DATE:		
UNIT DESIGNATION:		SCHEDULE NO.	MODEL NO.	



DUCT SIZES:  
Supply Air = 17" x 19"  
Return Air = 17" x 19"

\*Supply and Return Air (including duct support rails) shown are typical for bottom duct applications.

For location of horizontal duct applications (on back of unit), refer to Unit Dimension details.

**NOTE:**

1. Roof curb is built to NRCA standards.
2. Roof curb is constructed of 18 gauge G90 steel.
3. Unit duct supports are provided.
4. Full perimeter 4 wood nailer.
5. Curbs are shipped unassembled.
6. Corner hinge pins are used for assembly.

MODEL	DIMENSION "A"
1RC0442	12"

Suggested roof opening: 43-1/2" long x 33-1/4 wide.

Refer to price pages for other details.

Subject to change without notice. Printed in U.S.A.  
Copyright © 2007 by Unitary Products Group. All rights reserved.

341454-LSD-A-0507  
Supersedes: Nothing

Unitary  
Products  
Group

5005  
York  
Drive

Norman  
OK  
73069