

# SUBMITTAL DATA SHEET



**MagnaDRY™**  
**GAS/ELECTRIC SINGLE PACKAGE AIR CONDITIONERS**  
**MODELS: DK-03, -04, -05 & -A6**

JOB NAME:		LOCATION:		
PURCHASER:		ORDER NO:		
ENGINEER:				
SUBMITTED TO:	FOR:	REF:	APPROVAL:	CONSTRUCTION:
SUBMITTED BY:		DATE:		
UNIT DESIGNATION:		SCHEDULE NO.	MODEL NO.	

**COOLING PERFORMANCE**

TOTAL CAPACITY----- MBH  
 SENSIBLE CAPACITY----- MBH  
 OUTDOOR DESIGN TMP. \_\_\_\_\_ °F DB/WB  
 TOTAL SUPPLY AIR----- CFM  
 TEMP. OF AIR ENTERING  
 EVAPORATOR COIL----- °F  
 POWER INPUT REQ.----- KW  
 (LESS BLOWER MOTOR)

**HEATING PERFORMANCE**

ELECTRIC HEAT----- KW  
 GAS-FIRED INPUT-CAP.----- MBH

**SUPPLY AIR BLOWER PERFORMANCE**

TOTAL SUPPLY AIR----- CFM  
 EXT. STATIC PRESS.----- IWG  
 BLOWER SPEED----- RPM  
 POWER OUTPUT REQ.----- BHP  
 MOTOR RATING----- HP  
 POWER INPUT REQ.----- KW

**ELECTRICAL DATA**

POWER SUPPLY-----  
 TOTAL UNIT AMPACITY----- AMPS  
 MAX. OVERCURRENT DEVICE  
 \_\_\_ FUSE \_\_\_ BREAKER----- AMPS

**TOTAL UNIT WEIGHT**

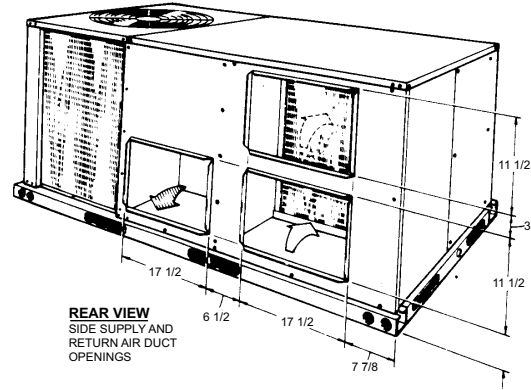
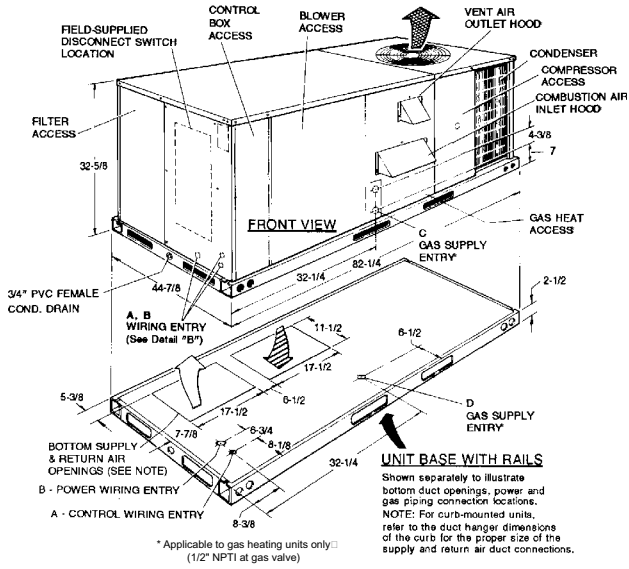
INCLUDING FACTORY- INSTALLED  
 OPTIONS----- LBS

**FACTORY INSTALLED OPTIONS**

- SINGLE INPUT ELECTRONIC ENTHALPY ECONOMIZERS -----
- MOTORIZED OUTDOOR AIR INTAKE DAMPER -----
- PHENOLIC COATED EVAPORATOR COILS-----
- PHENOLIC COATED CONDENSER COILS -----
- ELECTRIC HEATERS -----
- FILTER (2" PLEATED)-----
- POWERED CONVENIENCE OUTLET-----
- NON-POWERED CONVENIENCE OUTLET -----
- DISCONNECT SWITCH-----
- BAS - (BUILDING AUTOMATION SYSTEMS) -----
- Simplicity® Intelli-Comfort™ -----
- Honeywell™ -----
- Novar®-----
- Johnson -----
- CPC -----
- SMOKE DETECTOR (RETURN)- -----
- SMOKE DETECTOR (SUPPLY) -----
- COIL GUARD -----
- STAINLESS STEEL HEAT EXCHANGER -----
- STAINLESS STEEL DRAIN PAN -----
- BAS READY ECONOMIZER (2-10 V.D.C. ACTUATOR WITHOUT  
 A CONTROLLER) -----
- AIR PROVING SWITCH-----
- PHASE MONITOR-----
- BELT DRIVE -----
- BELT DRIVE (HIGH STATIC) -----
- DIRECT DRIVE -----
- DIRTY FILTER SWITCH -----
- HINGED FILTER DOOR/"TOOLLESS" BLOWER AND  
 ACCESS PANELS (NOT HINGED) -----

**FIELD INSTALLED ACCESSORIES**

- SINGLE INPUT ELECTRONIC ENTHALPY ECONOMIZERS -----
- ENTHALPY ACCESSORY CONTROL KIT (DUAL)-----
- MOTORIZED OUTDOOR AIR INTAKE DAMPER - -----
- ROOF CURBS -----
- HIGH ALTITUDE NATURAL GAS -----
- PROPANE CONVERSION -----
- HIGH ALTITUDE PROPANE -----
- BAROMETRIC RELIEF DAMPER -----
- BURGLAR BARS-----
- FLUE EXHAUST EXTENSION KIT -----
- CO2 SENSOR, UNIT MOUNT -----
- CO2 SENSOR, SPACE MOUNT-----
- DIRTY FILTER SWITCH -----
- AIR PROVING SWITCH-----
- POWER EXHAUST -----
- ELECTRIC HEAT -----
- LOW NOx KIT -----
- COIL GUARDS -----
- HAIL GUARDS -----
- LOW AMBIENT KIT -----
- GAS PIPING KIT -----
- WALL MOUNT TEMPERATURE SENSOR (Intelli-Comfort™) -----
- WALL MOUNT TEMPERATURE SENSOR WITH  
 OVERRIDE (Intelli-Comfort™) -----
- WALL MOUNT TEMPERATURE SENSOR WITH  
 OVERRIDE & SET POINT ADJ. (Intelli-Comfort™)- -----
- HUMIDITY SENSOR (Intelli-Comfort™)- -----

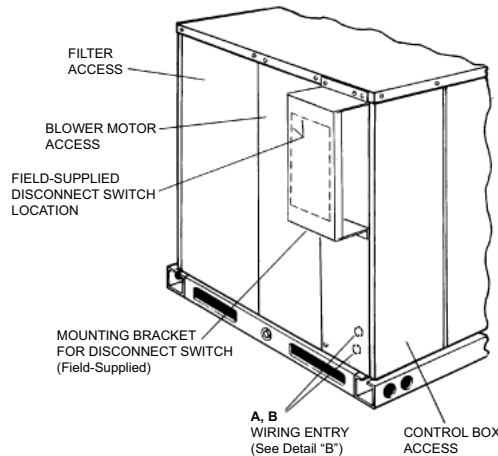


**UTILITIES ENTRY DATA**

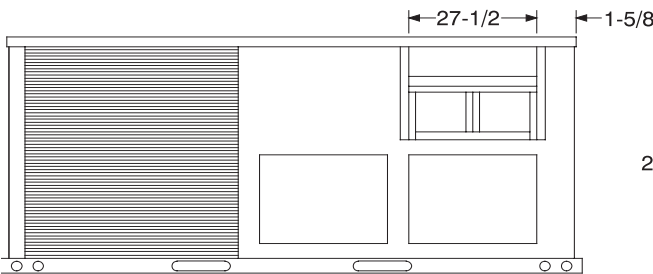
HOLE	KNOCKOUT SIZE (DIA.)	USED FOR
A	7/8"	Control Wiring (Side or Bottom)
B	2"	Power Wiring (Side or Bottom)
C	1-5/8"	Gas Piping (Front)
D	1-1/2"	Gas Piping (Bottom)

**UNIT BASE WITH RAILS**  
 Shown separately to illustrate bottom duct openings, power and gas piping connection locations.  
 NOTE: For curb-mounted units, refer to the duct hanger dimensions of the curb for the proper size of the supply and return air duct connections.

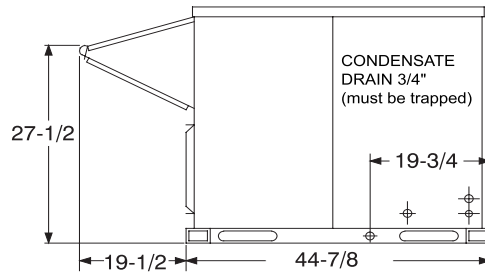
\* Applicable to gas heating units only (1/2" NPTI at gas valve)



**DISCONNECT SWITCH LOCATION AND MOTOR ACCESS PANEL FOR UNIT WITH "BELT-DRIVE" OPTION**

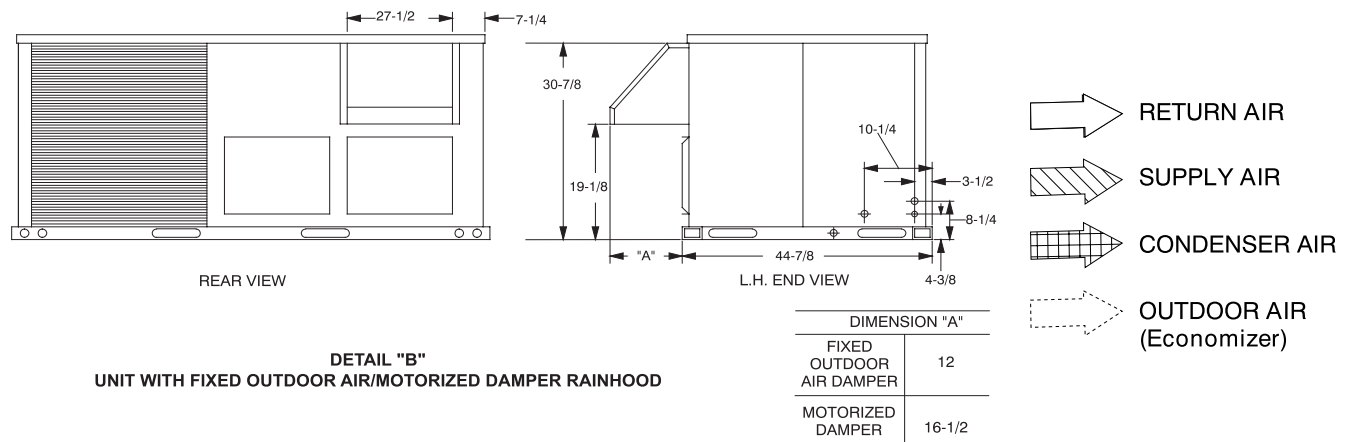


REAR VIEW



L.H. END VIEW

**DETAIL "A"  
 UNIT WITH ECONOMIZER RAINHOOD**



**MINIMUM CLEARANCES**

LOCATION	CLEARANCE
Front	24" (Cooling/Electric Heat) 32" (Gas Heat)
Rear	12" (Less Economizer) 36" (With Economizer or Fixed Air/Motorized Damper)
Left Side (Filter Access)	24" (Less Economizer) 36" (With Economizer)
Right Side (Cond. Coil)	24"
Below Unit <sup>1</sup>	0"
Above Unit <sup>2</sup>	72" (For Condenser Air Discharge)

1. Units may be installed on combustible floors made from wood or class A, B, or C roof covering material.
2. Units must be installed outdoors. Overhanging structures or shrubs should not obstruct condenser air discharge outlet.

**NOTE:** A 1" clearance must be provided between any combustible material and the supply air ductwork for a distance of 3 feet from the unit.

**NOTE:** The products of combustion must not be allowed to accumulate within a confined space and recirculate.

**NOTE:** Locate unit so that the vent air outlet hood is at least:

- Three (3) feet above any force air inlet located within 10 horizontal feet (excluding those integral to the unit).
- Four (4) feet below, four horizontal feet from, or one foot above any door or gravity air inlet into the building.
- Four (4) feet from electric and gas meters, regulators and relief equipment.

**NOTE:** Units and ductwork are approved for zero clearance to combustible materials when equipped with electric heaters.

**NOTE:** All entry holes should be field sealed to prevent rain water entry into building.

# NOTES

**REFER TO THE TECHNICAL GUIDE FOR THE LIST OF STANDARD FEATURES**

**ATTACHED**  **NOT ATTACHED**

Subject to change without notice. Printed in U.S.A.  
Copyright © 2008 by Johnson Controls, Inc. All rights reserved.

340860-LSD-B-0408  
Supersedes: 340860-LSD-A-0507

---

**Johnson Controls Unitary Products**  
5005 York Drive  
Norman, OK 73069