

SUBMITTAL DATA SHEET

**SINGLE PACKAGE HEAT PUMPS
MODEL: BA-15**



JOB NAME:		LOCATION:		
PURCHASER:		ORDER NO:		
ENGINEER:				
SUBMITTED TO:	FOR:	REF:	APPROVAL:	CONSTRUCTION:
SUBMITTED BY:		DATE:		
UNIT DESIGNATION:		SCHEDULE NO.	MODEL NO.	

ASHRAE 90.1 COMPLIANT

COOLING PERFORMANCE

TOTAL CAPACITY ----- MBH
 SENSIBLE CAPACITY ----- MBH
 OUTDOOR DESIGN TMP. _____ °F DB/WB
 TOTAL SUPPLY AIR ----- CFM
 TEMP. OF AIR ENTERING
 EVAPORATOR COIL ----- °F
 POWER INPUT REQ. ----- KW
 (LESS BLOWER MOTOR)

HEATING PERFORMANCE

CAPACITY
 @ 47°F ----- MBH
 @ 17°F ----- MBH
 COEFFICIENT OF PERFORMANCE
 @ 47°F ----- MBH
 @ 17°F ----- MBH
 (RESISTANCE HEAT - SEE REVERSE SIDE)

SUPPLY AIR BLOWER PERFORMANCE

TOTAL SUPPLY AIR ----- CFM
 EXT. STATIC PRESS. ----- IWG
 BLOWER SPEED ----- RPM
 POWER OUTPUT REQ. ----- BHP
 MOTOR RATING ----- HP
 POWER INPUT REQ. ----- KW

ELECTRICAL DATA

POWER SUPPLY -----
 TOTAL UNIT AMPACITY ----- AMPS
 MAX. OVERCURRENT DEVICE
 ___ FUSE ___ BREAKER ----- AMPS

TOTAL UNIT WEIGHT

INCLUDING FACTORY- INSTALLED
 OPTIONS ----- LBS

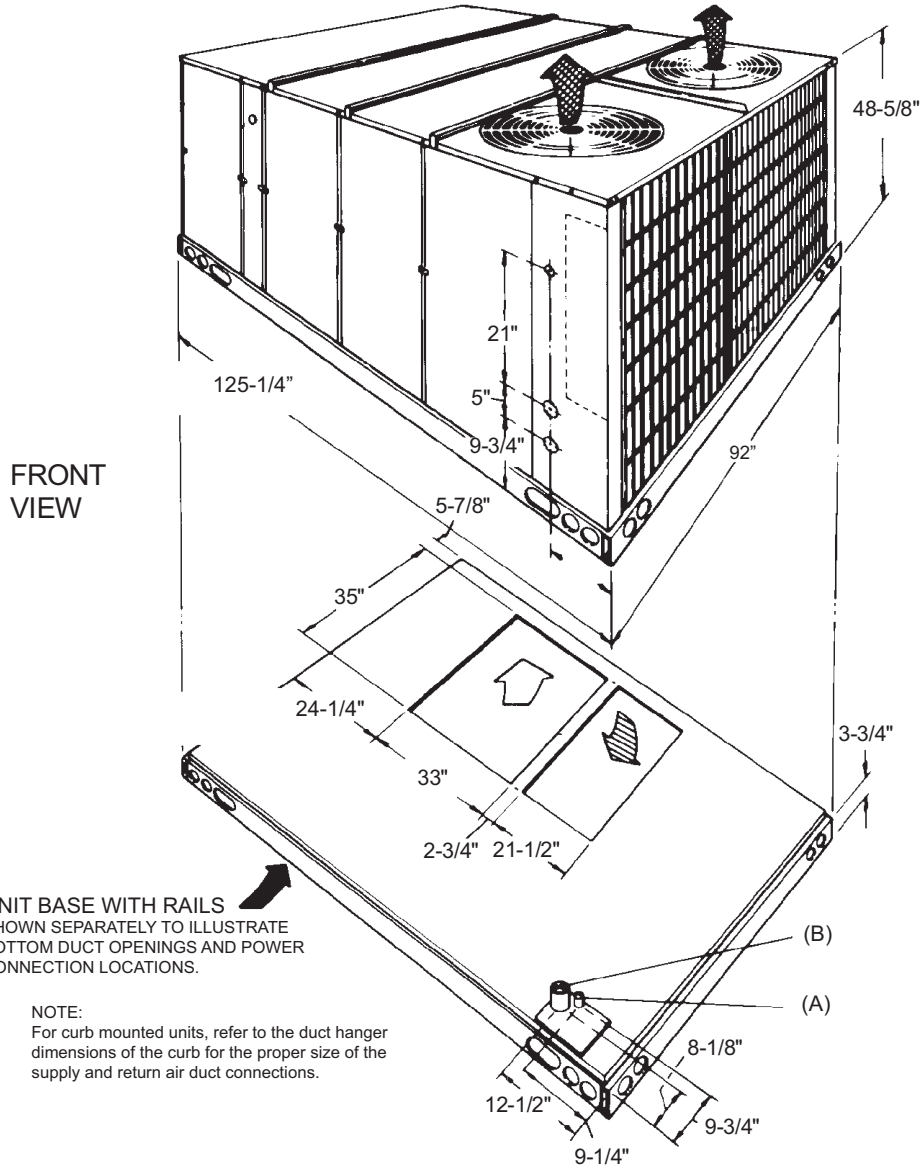
FACTORY INSTALLED OPTIONS

SINGLE INPUT ELECTRONIC ENTHALPY ECONOMIZERS -----
 BAS-READY ECONOMIZER (2-10 V.D.C. ACTUATOR WITHOUT A
 CONTROLLER) -----
 POWER EXHAUST -----
 MOTORIZED OUTDOOR AIR INTAKE DAMPER -----
 BAROMETRIC RELIEF DAMPER -----
 PHENOLIC COATED EVAPORATOR COILS -----
 PHENOLIC COATED CONDENSER COILS -----
 FILTER (2" THROW AWAY) -----
 FILTER (4" PLEATED) -----
 POWERED CONVENIENCE OUTLET -----
 NON-POWERED CONVENIENCE OUTLET -----
 DISCONNECT SWITCH -----
 BAS - (BUILDING AUTOMATION SYSTEMS) -----
 Simplicity® Intelli-Comfort™ -----
 Honeywell™ -----
 Novar® -----
 Johnson -----
 CPC -----
 SMOKE DETECTOR (RETURN) -----
 SMOKE DETECTOR (SUPPLY) -----
 STAINLESS STEEL DRAIN PAN -----
 COIL GUARD -----
 PHASE MONITOR -----
 HIGH STATIC DRIVE -----
 DIRTY FILTER SWITCH -----
 HINGED FILTER DOOR/"TOOL FREE" BLOWER AND
 ACCESS PANELS (NOT HINGED) -----
 HINGED/"TOOL FREE" BLOWER, BLOWER MOTOR, FILTER AND
 ELECTRICAL ACCESS PANELS -----
 ELECTRIC RESISTANCE HEAT¹ -----
 CAPACITY (AT _____ VOLTS) ----- MBH
 POWER INPUT REQUIREMENT ----- KW

FIELD-INSTALLED ACCESSORIES

SINGLE INPUT ELECTRONIC ENTHALPY ECONOMIZERS -----
 MOTORIZED OUTDOOR AIR INTAKE DAMPER -----
 ROOF CURBS -----
 SIDE DUCT FLANGES -----
 BAROMETRIC RELIEF DAMPER -----
 HIGH STATIC DRIVE -----
 ENTHALPY ACCESSORY CONTROL KIT (DUAL) -----
 BURGLAR BARS -----
 WOOD SKID -----
 DIRTY FILTER SWITCH -----
 AIR PROVING SWITCH -----
 CO2 SENSOR -----
 COIL GUARD -----
 SMOKE DETECTOR (RETURN) -----
 SMOKE DETECTOR (SUPPLY) -----
 COIL GUARDS -----
 HAIL GUARDS -----
 WALL MOUNT TEMPERATURE SENSOR (Intelli-Comfort™) -----
 WALL MOUNT TEMPERATURE SENSOR WITH
 OVERRIDE (Intelli-Comfort™) -----
 WALL MOUNT TEMPERATURE SENSOR WITH
 OVERRIDE & SET POINT ADJ. (Intelli-Comfort™) -----
 HUMIDITY SENSOR (Intelli-Comfort™) -----

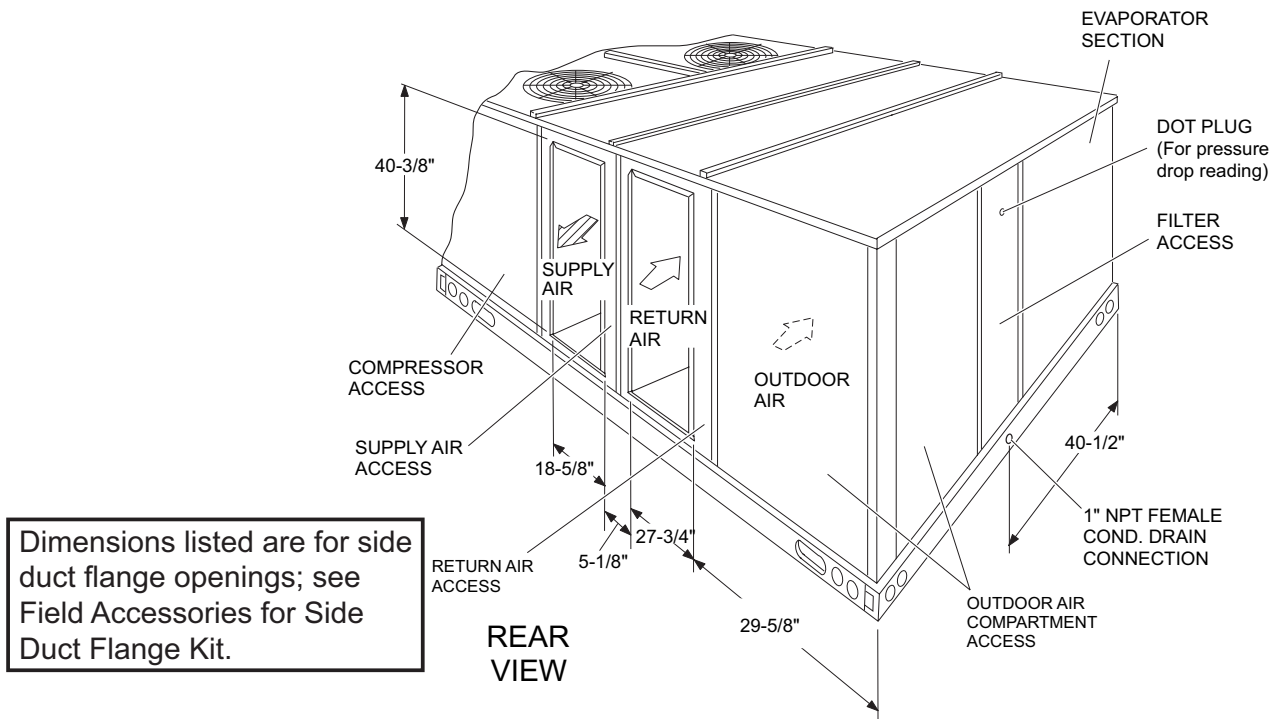
1. UNITS WITH ELECTRIC HEAT HAVE A SINGLE POWER SUPPLY. REFER TO PRODUCT DATA ON THE LEFT SIDE FOR ELECTRICAL DATA.



UTILITIES ENTRY DATA

HOLE	OPENING SIZE (DIA.)	USED FOR	
A	1-1/8" KO	Control Wiring	Side
	3/4" NPS (Fem.)		Bottom
B	3-5/8" KO	Power Wiring	Side
	3" NPS (Fem.)		Bottom

NOTE: All entry holes should be field sealed to prevent rain water entry into the building.

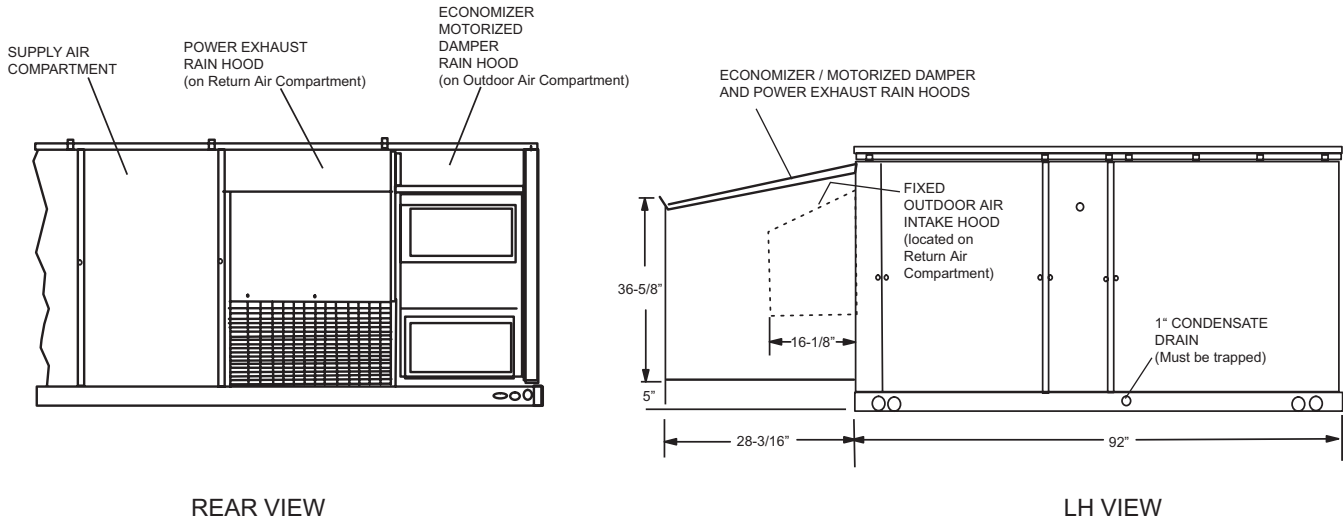


LOCATION	CLEARANCE
Front	36"
Rear	24" (Less Economizer) 49" (With Economizer)
Left Side (Filter Access)	24" (Less Economizer) 36" (With Economizer) ³
Right Side (Cond. Coil)	36"
Below Unit ¹	0"
Above Unit ²	72" With 36" Maximum Horizontal Overhang (For Condenser Air Discharge)

1. Units may be installed on combustible floors made from wood or class A, B, or C roof covering material.
2. Units must be installed outdoors. Overhanging structures or shrubs should not obstruct condenser air discharge outlet.
3. If economizer is factory installed, the unassembled rain hood must be removed from its ride along position in front of evaporator coil, or in the outdoor air compartment, prior to final installation.

NOTE: Units and ductwork are approved for zero clearance to combustible material when equipped with electric heaters.

UNITS WITH RAIN HOODS



DETAIL "Y"
UNIT WITH RAIN HOODS

NOTES

REFER TO UNIT TECHNICAL GUIDE FOR THE LIST OF STANDARD FEATURES

ATTACHED NOT ATTACHED

Subject to change without notice. Printed in U.S.A.
Copyright © 2007 by Unitary Products Group. All rights reserved.

260221-LSD-C-0707
Supersedes: 260221-LSD-B-0606

Unitary
Products
Group

5005
York
Drive

Norman
OK
73069