

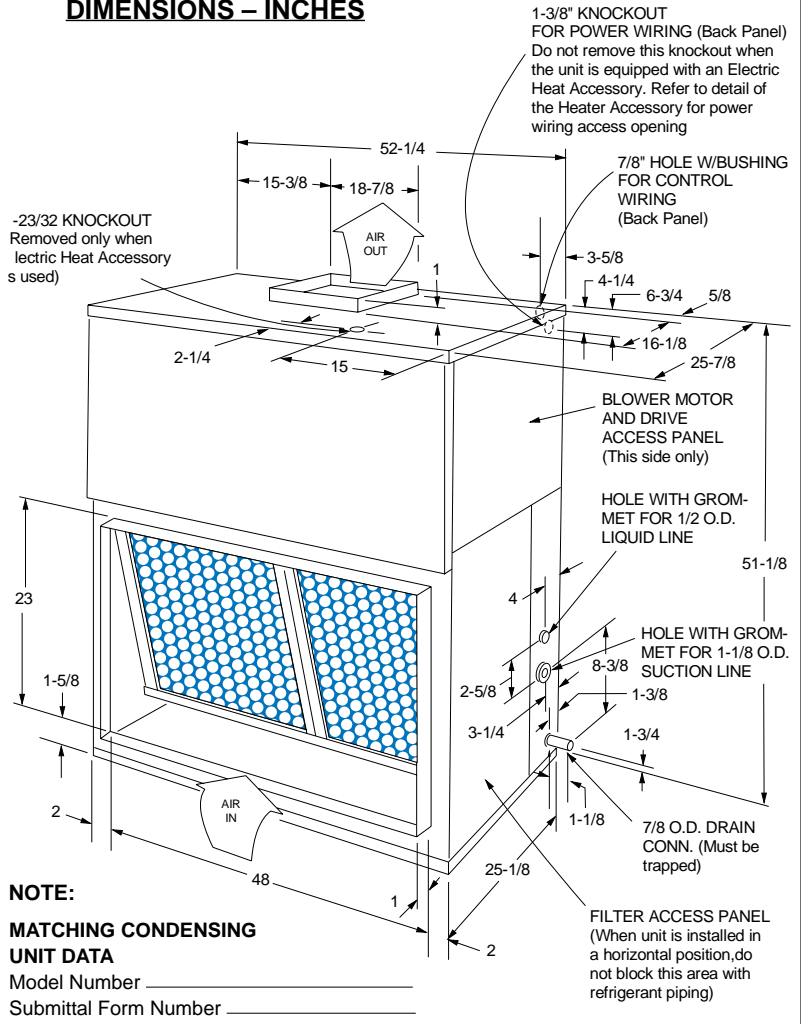
JOB NAME \_\_\_\_\_ LOCATION \_\_\_\_\_  
 PURCHASER \_\_\_\_\_ ORDER NO. \_\_\_\_\_  
 ENGINEER \_\_\_\_\_  
 SUBMITTED TO \_\_\_\_\_ FOR:  Reference  Approval  Construction  
 SUBMITTED BY \_\_\_\_\_ DATE \_\_\_\_\_

UNIT DESIGNATION: Schedule No. \_\_\_\_\_ MODEL NO. \_\_\_\_\_

**PRODUCT DATA**

COOLING PERFORMANCE	
TOTAL CAPACITY.....	_____ MBH
SENSIBLE CAPACITY.....	_____ MBH
EVAPORATOR PRESSURE	
AT SATURATION.....	_____ PSIG
EVAPORATOR TEMPERATURE	
AT SATURATION.....	_____ °F
TOTAL SUPPLY AIR.....	_____ CFM
TEMP. OF AIR ENTERING	
EVAPORATOR COIL.....	____/____ °F DB/WB
HEATING PERFORMANCE	
Refer to field-installed accessories on reverse side.	
SUPPLY AIR BLOWER PERFORMANCE	
TOTAL SUPPLY AIR.....	_____ CFM
TOTAL RESISTANCE EXTERNAL	
TO UNIT.....	_____ IWG
BLOWER SPEED.....	_____ RPM
POWER OUTPUT REQUIREMENT..	_____ BHP
MOTOR RATING.....	_____ HP
POWER INPUT REQUIREMENT....	_____ KW
ELECTRICAL DATA	
POWER SUPPLY.....	____/____/____
TOTAL UNIT AMPACITY.....	_____ AMPS
MINIMUM WIRE SIZE.....	_____ AWG
(Copper Conductors)	
MAXIMUM FUSE SIZE	
DUAL ELEMENT.....	_____ AMPS
UNIT WEIGHT	
TOTAL OPERATING WEIGHT.....	_____ LBS.
(Including field-installed accessories)	

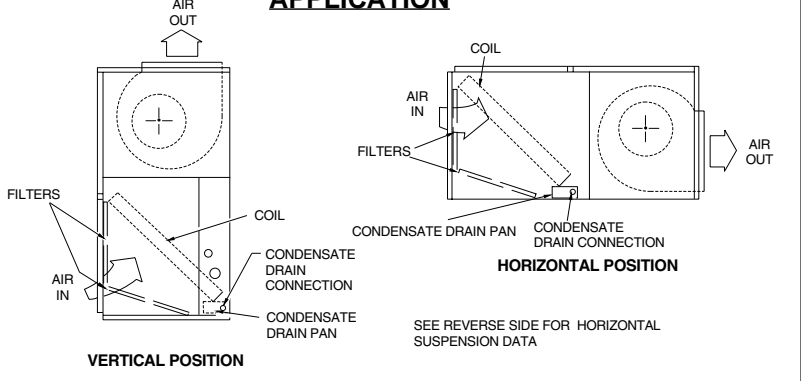
**DIMENSIONS – INCHES**



**MINIMUM CLEARANCES**

- Side with RETURN AIR opening ..... 24"
  - Side with SUPPLY AIR opening ..... 24" ①
  - Side with PIPING CONNECTIONS ..... 52" ②
  - Side opposite PIPING CONNECTIONS..... 12"
  - Side with access for both  
 POWER & CONTROL WIRING ..... ③
  - Bottom ..... ④
- ① Overall dimension of the unit will vary if an electric heater, a supply air plenum or a base is used.  
 ② This dimension is required for removal of the coil. Only 26" is required for normal servicing.  
 ③ Although no clearance is required for service and operation, some clearance may be required for routing the power and control wiring.  
 ④ Allow enough clearance to trap the condensate drain line.

**APPLICATION**

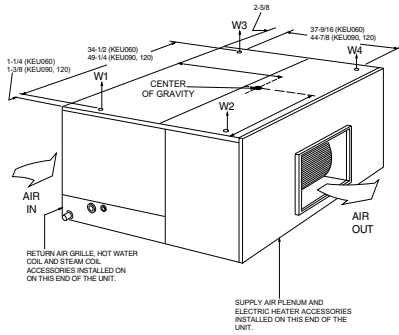


**SPLIT-SYSTEM EVAPORATOR BLOWERS**  
**7-1/2 TONS**  
**MODEL LF-07**

036-22188-001-B-0902  
 Supersedes: 036-22188-001-A-0502



# SUSPENSION MOUNTING (Horizontal Application)



Four 3/8" - 16 weld nuts are provided in the unit support angles for ceiling suspension. Knockouts are provided in panels for access to these weld nuts. Support rods must be supplied in the field.

## FIELD-INSTALLED ACCESSORIES

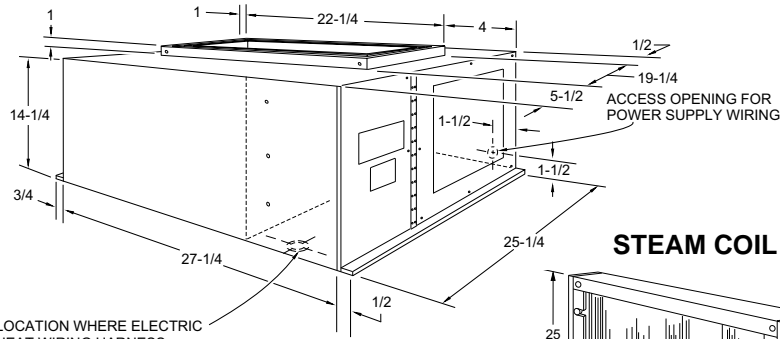
- SUPPLY AIR PLENUM (1SP0451)
- RETURN AIR GRILLE (1RG0451)
- BASE (1BS0451)
- (Vertical Application Only)
- ELECTRIC HEATER\*
- Model Number \_\_\_\_\_
- Capacity (@ \_\_\_\_\_ Volts) \_\_\_\_\_ MBH
- Power Input Requirement \_\_\_\_\_ KW
- (Less Blower Motor)

SUSPENSION WEIGHTS, LBS.			
A	B	C	D

- STEAM COIL (1NF0451)
  - Steam Pressure \_\_\_\_\_ PSIG
  - Capacity \_\_\_\_\_ MBH
  - Steam Rate \_\_\_\_\_ LBS/HR
  - Entering Air Temperature \_\_\_\_\_ °F
  - HOT WATER COIL (1HW0451)
  - Capacity \_\_\_\_\_ MBH
  - Entering Water Temperature \_\_\_\_\_ °F
  - Water Flow Rate \_\_\_\_\_ GPM
  - Entering Air Temperature \_\_\_\_\_ °F
  - Water Pressure Drop \_\_\_\_\_ PSI
- \* Units with electric heat have a single source power supply. Refer to PRODUCT DATA on front side for electrical data.

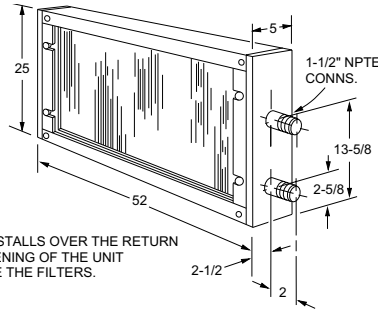
## ACCESSORY DIMENSIONS – INCHES

### ELECTRIC HEATER



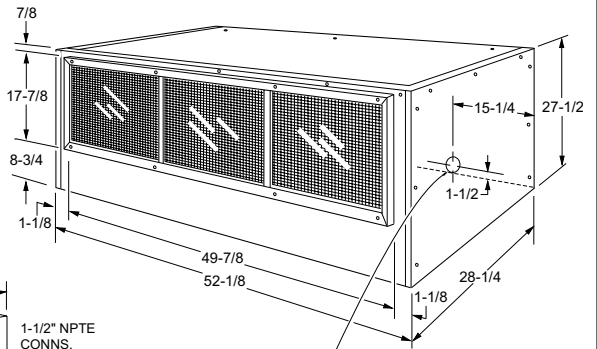
LOCATION WHERE ELECTRIC HEAT WIRING HARNESS PENETRATES THE CABINET OF THE BLOWER UNIT

### STEAM COIL



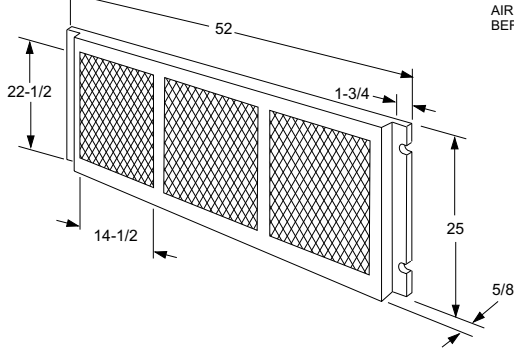
COIL INSTALLS OVER THE RETURN AIR OPENING OF THE UNIT BEFORE THE FILTERS.

### SUPPLY AIR PLENUM

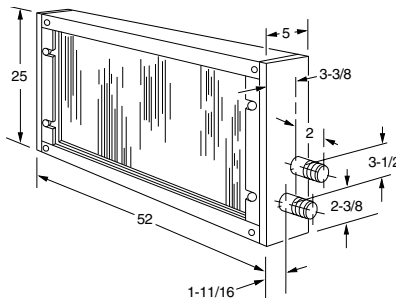


2-1/2 KNOCKOUT FOR POWER WIRING WHEN ELECTRIC HEATER IS USED

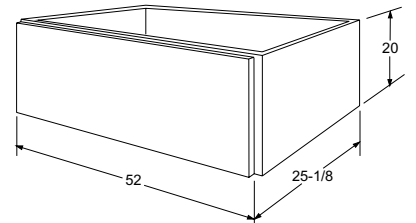
### RETURN AIR GRILLE



### HOT WATER COIL



### BASE



## NOTES:

---



---



---