

ACCESSORY KIT INSTALLATION INSTRUCTIONS

FLUE EXHAUST KIT - MODEL 1FE0413 FOR SINGLE PACKAGE EQUIPMENT GAS/ELECTRIC AIR CONDITIONERS (D*NA, D*NH, D*NP, D*NZ, D*YA, D*YH, D*YP & D*YZ MODELS ONLY)

SCOPE

These instructions cover the installation of the Flue Exhaust Kit (1FE0413) on single package rooftop air conditioners with gas heat sections. The model numbers of the units this kit applies to have cooling capacities from 1.5 Tons through 5 Tons in the D*NA, D*NH, D*NP, D*NZ, D*YA, D*YH, D*YP and D*YZ series. This kit is intended only for installations where, due to localized wind or weather conditions, flue products may enter nearby fresh air intakes or may re-circulate and interfere with the combustion air supply.

TABLE 1: CONTENTS OF KIT 1FE0413

ITEM	QTY.	PART NUMBER	DESCRIPTION
1	1	129492	Wire Screen
2	4	5853	Screw HWH #10-16 X .625 SS
3	4	5840	Screw HWH #10-16 X .625 #1
4	1	130213	Instruction, 1FE0413A
5	1	130060	Flue Extension
6	1	130221	Flue Cover

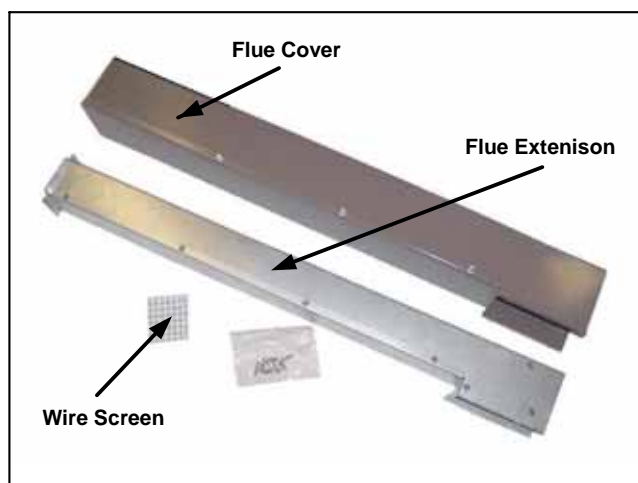


FIGURE 1 - EXHAUST KIT COMPONENTS

INSTALLATION OF KIT 1FE0413

1. Disconnect electrical power and shut off gas supply to the unit.
2. Remove original flue hood, if installed. On 33 ½" tall cabinet models, remove the screw just below and to the left of the flue outlet. See Figure 2.



FIGURE 2 - ORIGINAL FLUE REMOVAL

3. Install the unpainted flue extension using the screws that held the original flue hood in place. On 33 ½" tall cabinet models replace lower left hand screw removed in Step 1. See Figure 3.



FIGURE 3 - INSTALL FLUE EXTENSION

4. Position the wire screen on top of the flue extension.
5. Slide the painted flue cover over the flue extension verifying that the wire screen is sandwiched between the top of the flue extension and the top of the cover. See Figure 4.



FIGURE 4 - SLIDE FLUE COVER OVER EXTENSION

6. Install the four stainless steel screws through the top of the flue cover into the top of the flue extension. See Figure 5.

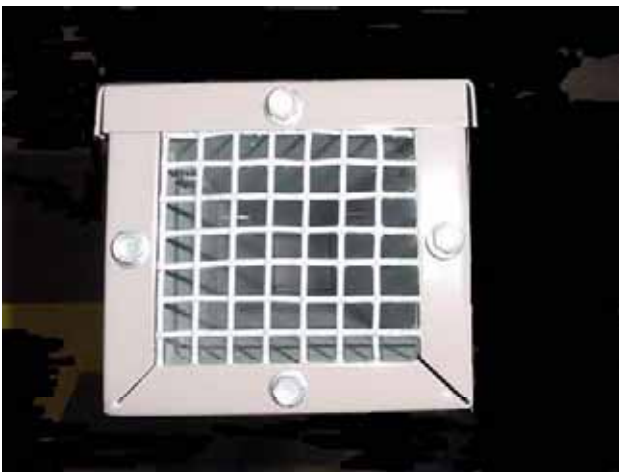


FIGURE 5 - INSTALL STAINLESS STEEL SCREWS

7. Center the flue cover side to side over the flue extension at the bottom. Attach the cover to the unit using the four drill screws. See Figure 6.



FIGURE 6 - FLUE COVER INSTALLED

8. Restore electrical and gas supplies to the unit.

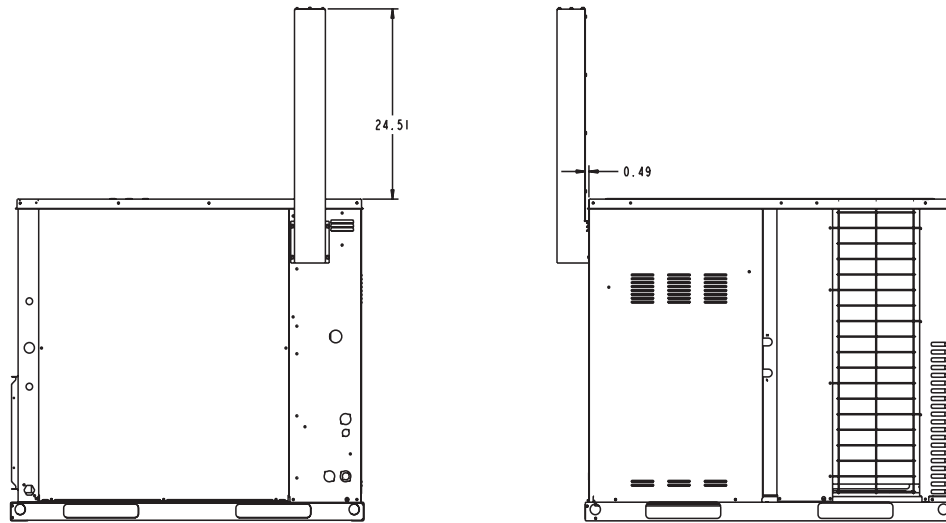
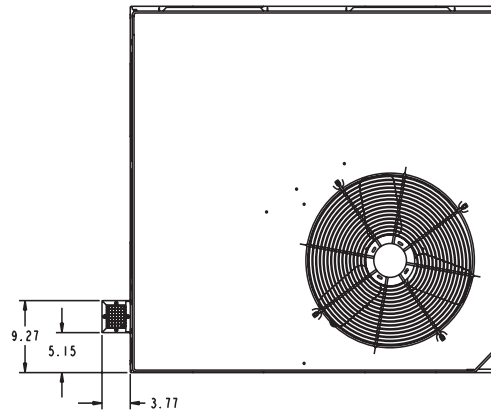


FIGURE 7 - FLUE ASSEMBLY DIMENSIONS

