

# SUBMITTAL DATA SHEET



## SPLIT-SYSTEM EVAPORATOR BLOWERS 25, 30 & 40 TONS MODELS: LF-25, LL-30 & LL-40

JOB NAME:			LOCATION:		
PURCHASER:			ORDER NO.:		
ENGINEER:					
SUBMITTED TO:		FOR:	REF:	APPROVAL:	CONSTRUCTION:
SUBMITTED BY:		DATE:			
UNIT DESIGNATION:			SCHEDULE NO.		MODEL NO.

### PRODUCT DATA

#### Cooling Performance

Total Capacity ..... MBH  
 Sensible Capacity ..... MBH  
 Evaporator Pressure at Saturation ..... PSIG  
 Evaporator Temperature at Saturation ..... °F  
 Total Supply Air ..... CFM  
 Temp. of air Entering Evaporator Coil ..... / ..... °F DB/WB

#### Heating Performance

Refer to field-installed accessories on reverse side.

#### Supply Air Blower Performance

Total Supply Air ..... CFM  
 Total Resistance External To Unit ..... IWG  
 Blower Speed ..... RPM  
 Blower Output Requirement ..... BHP  
 Motor Rating ..... HP  
 Power Input Requirement ..... KW

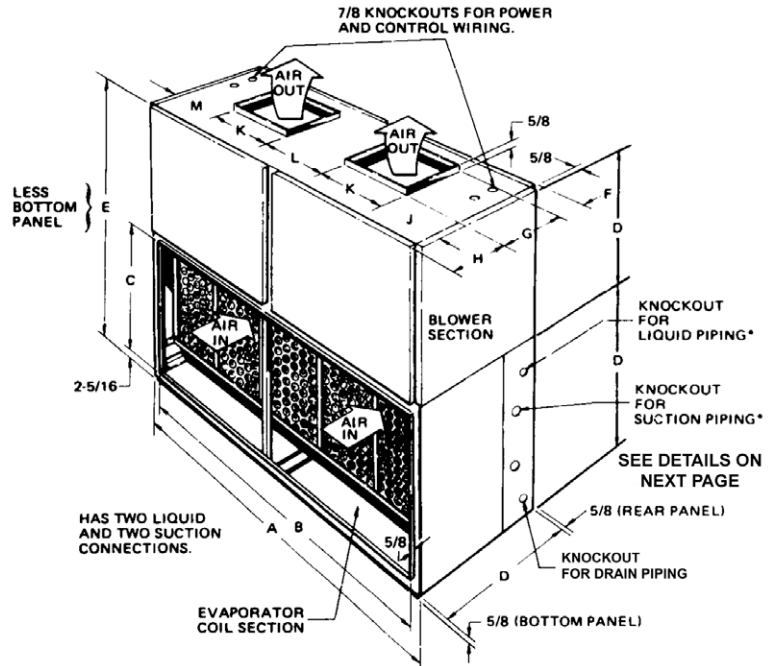
#### Electrical Data

Power Supply ..... / /  
 Total Unit Ampacity ..... AMPS  
 Minimum Wire Size ..... AWG (Copper Conductors)  
 Maximum Fuse Size Dual Element ..... AMPS

#### Unit Weight

Total Operating Weight ..... LBS (Including field-installed accessories)

### DIMENSIONS - INCHES



MODEL	A	B	C	D	E	F	G
LF-25/LL-30	100-1/8	95-5/8	33-1/4	36-5/8	73-1/4	2-1/2	18-7/8
LL-40	103-1/8	95-5/8	40-5/8	44	88	2-1/2	18-7/8

MODEL	H	J	K	L	M	N	P
LF-25/LL-30	16-1/2	15-13/16	21-7/8	18	22-9/16	1	2-1/8
LL-40	23-7/8	20-11/16	21-7/8	18	20-11/16	1/1/08	1-5/8

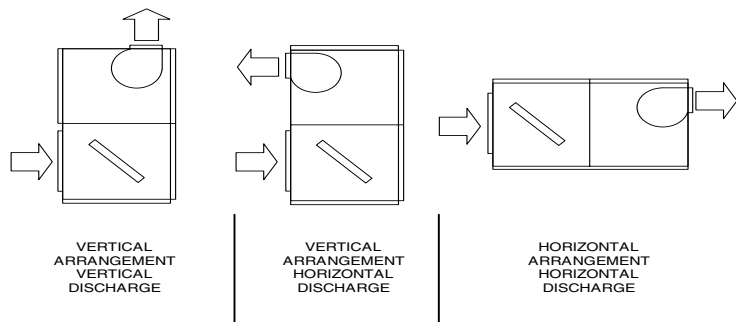
#### ACCESSORIES

Heating Coil - Add 6" to unit height when used.  
 Base - Add 23-3/8" height when used.

#### CLEARANCES

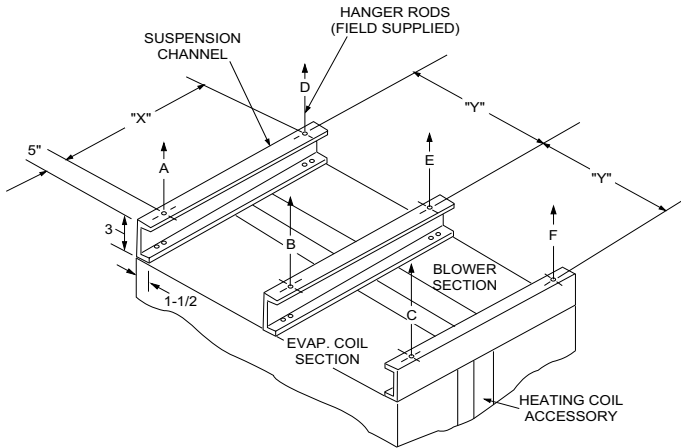
24" 24" on one side for piping connection and access to blower motor.  
 1" on opposite side. 1" on rear.

#### INSTALLATION CONFIGURATION





## SUSPENSION MOUNTING (Horizontal Application)



SUSPENSION WEIGHTS, LBS.					
A	B	C	D	E	F

DIMENSIONS, IN.	
A	B

Four 3/8" - 16 weld nuts are provided in the unit support angles for ceiling suspension. Knockouts are provided in panels for access to these weld nuts. Support rods must be supplied in the field.

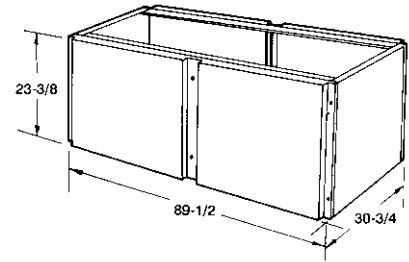
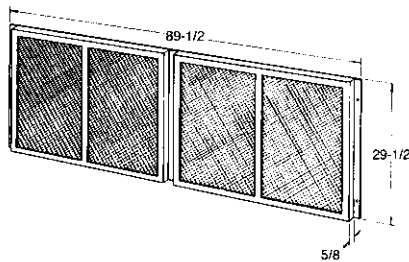
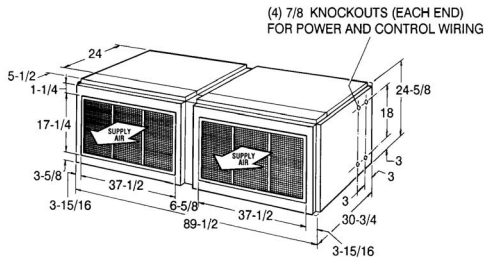
### FIELD-INSTALLED ACCESSORIES

- SUPPLY AIR PLENUM (1SP0451) .....
- RETURN AIR GRILLE (1RG0451) .....
- BASE (1BS0451) .....
- (Vertical Application Only)

- STEAM COIL (1NF0451) .....
- Steam Pressure ..... \_\_\_\_\_ PSIG
- Capacity ..... \_\_\_\_\_ MBH
- Steam Rate ..... \_\_\_\_\_ LBS/HR
- Entering Air Temperature ..... \_\_\_\_\_ °F
- HOT WATER COIL (1H20451) .....
- Capacity ..... \_\_\_\_\_ MBH
- Entering Water Temperature ..... \_\_\_\_\_ °F
- Water Flow Rate ..... \_\_\_\_\_ GPM
- Entering Air Temperature ..... \_\_\_\_\_ °F
- Water Pressure Drop ..... \_\_\_\_\_ PSI

\* Units with electric heat have a single source power supply. Refer to PRODUCT DATA on front side for electrical data.

## ACCESSORY DIMENSIONS - INCHES



### NOTES:

---



---



---



---

Subject to change without notice. Printed in U.S.A.  
Copyright © by Unitary Products Group 2003. All rights reserved.

036-22400-001-A-0103  
Supersedes: Nothing

---

Unitary  
Products  
Group

5005  
York  
Drive

Norman  
OK  
73069