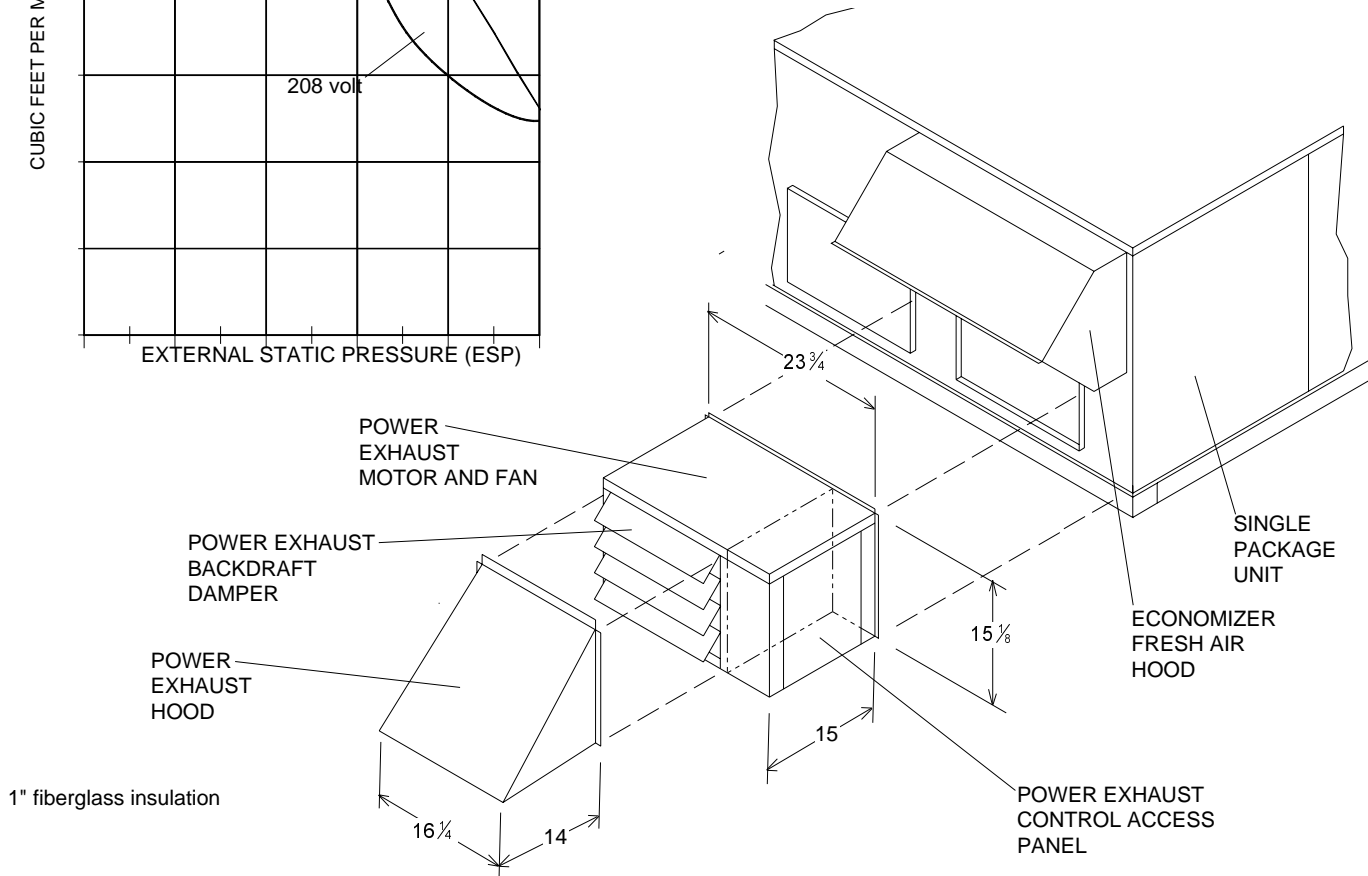
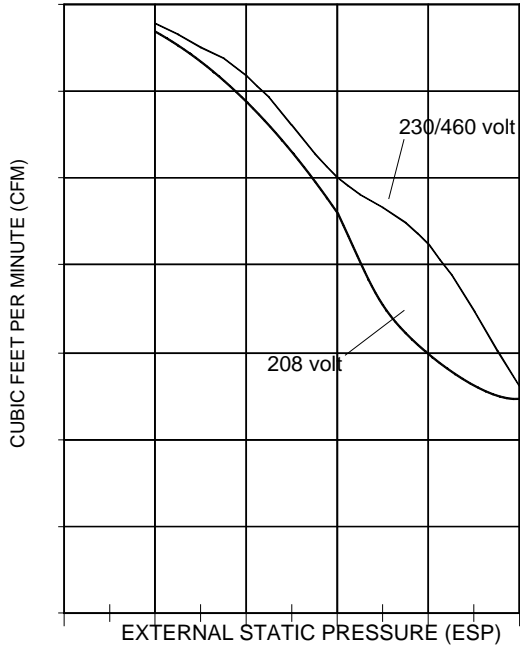


JOB NAME _____ LOCATION _____
 PURCHASER _____ ORDER NO. _____
 ENGINEER _____
 SUBMITTED TO _____ FOR: Reference Approval Construction
 SUBMITTED BY _____ DATE _____

UNIT DESIGNATION: Schedule No. _____ MODEL NO. _____

EXTERNAL STATIC PRESSURE VS CFM PERFORMANCE



ELECTRICAL DATA

MODEL	VOLTAGE	MOTOR			UNIT			
		HP	RPM	QTY/TYPE	LRA	FLA	MCA	FUSE SIZE

NOTE:
 Kit 2PE04703025 for applications with 208/230-1-60 volt and 2PE04703046 for applications with 460-1-60 volts, however, they are compatible with three phase applications.

POWER EXHAUST KIT
MODEL 2PE04703025 AND 2PE04703046
 (3 THRU 6 TON MODELS, DOWN AND SIDE APPLICATIONS)

FORM 036-22261-001-A-0602

Supersedes: 530.18-SD1.10L (498)

Setting The Performance Standard.



