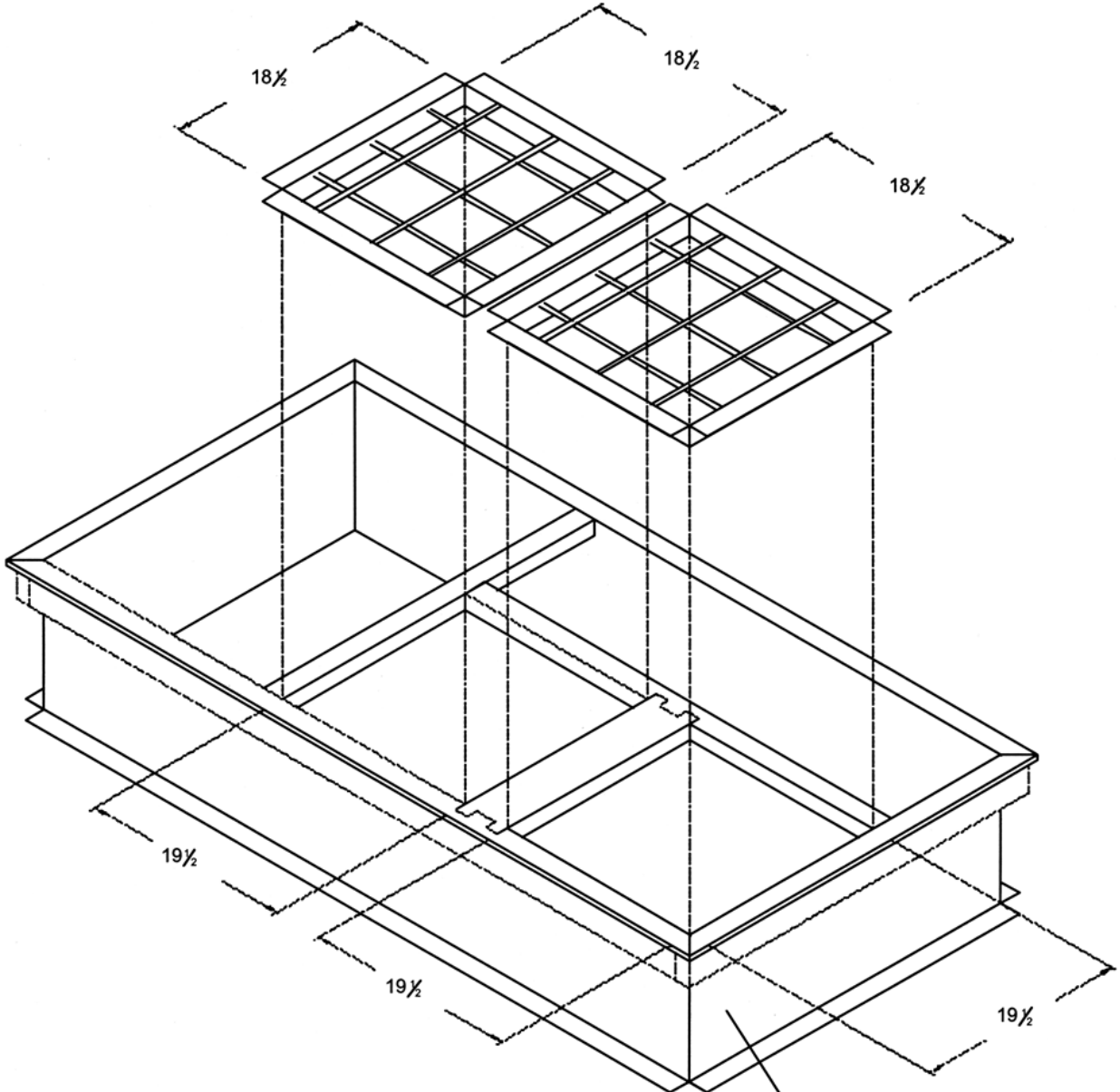


JOB NAME _____ LOCATION _____
 PURCHASER _____ ORDER NO. _____
 ENGINEER _____
 SUBMITTED TO _____ FOR: Reference Approval Construction
 SUBMITTED BY _____ DATE _____

UNIT DESIGNATION: Schedule No. _____ MODEL NO. _____



STANDARD YORK
 ROOF CURB
 (1RC0434)

NOTES:

1. Kit is made to fit duct opening size of roof curb.
2. Bars are welded on 6" centers.
3. Works with 1RC0434 Model Roof Curbs only.

Subject to change without notice. Printed in the U. S. A.

**BURGLAR BAR
 MODEL 1BD0401**

For Units; BCB 036-072 DHC 036-060 DUS 036-060
 DHB 036-072 DUC 036-072

FORM 036-22258-001-A-0602

Supersedes: 530.18-SD22L (495)

