

SUBMITTAL DATA SHEET



SPLIT SYSTEM EVAPORATOR BLOWER 10 TONS - MODELS: LF-10

JOB NAME:			LOCATION:		
PURCHASER:			ORDER NO:		
ENGINEER:					
SUBMITTED TO:	FOR:	REF:	APPROVAL:	CONSTRUCTION:	
SUBMITTED BY:			DATE:		
UNIT DESIGNATION:		SCHEDULE NO.		MODEL NO.	

PRODUCT DATA

Cooling Performance

Total Capacity MBH

Sensible Capacity MBH

Evaporator Pressure
at Saturation PSI

Evaporator Temperature
at Saturation °F

Total Supply Air CFM

Temp. of Air Entering
Evaporator Coil..... / °F DB/WB

Heating Performance

Refer to field-installed accessories on reverse side

Supply Air Blower Performance

Total Supply Air CFM

Total Resistance External To Unit IWG

Blower Speed RPM

PWR Output Req. BHP

Motor Rating HP

PWR Input Req. kW

Electrical Data

Power Supply AMPS

Total Unit Ampacity .. AMPS

Min. Wire Size AWG

(Copper Conductors)

Max. Fuse Size Dual Element AMPS

Unit Weight

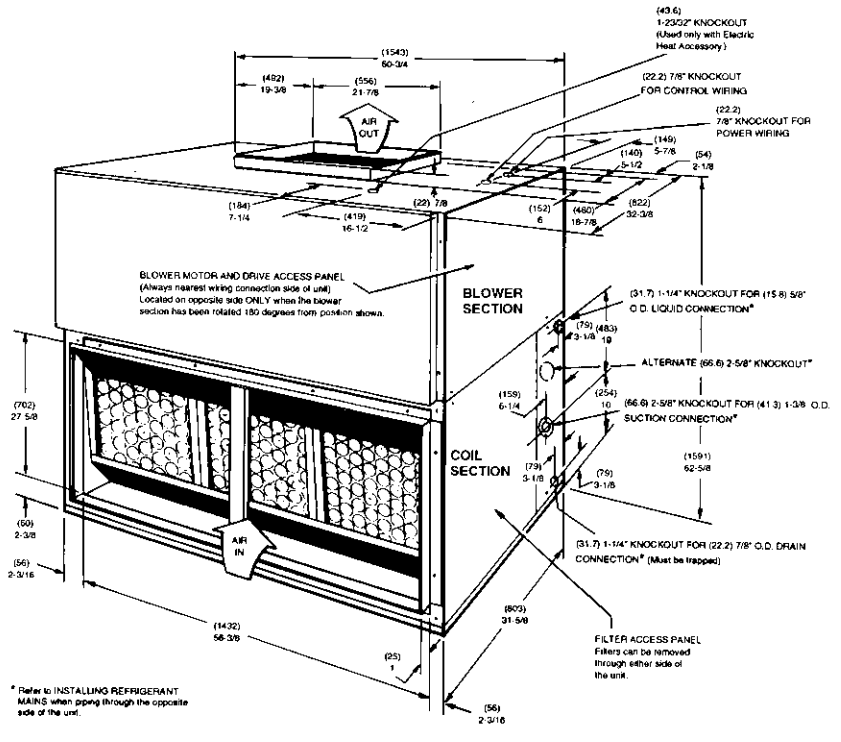
Total Operating Weight LBS
(Including field-installed accessories)

Matching Condensing Unit Data

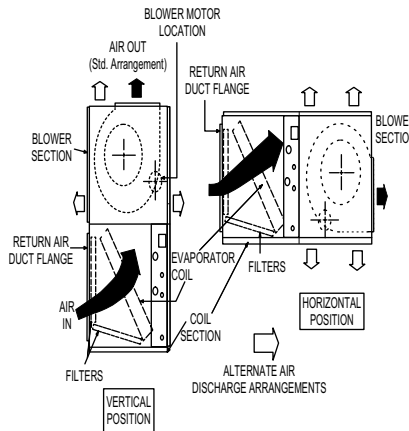
Model Number _____

Submittal Form Number _____

DIMENSIONS - INCHES



APPLICATION



NOTE: CERTAIN BLOWER POSITIONS ARE NOT RECOMMENDED BECAUSE THE BLOWER MOTOR SHOULD NOT BE MOUNTED UPSIDE DOWN.

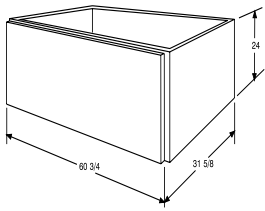
MINIMUM CLEARANCES

Side with RETURN AIR opening	24" ¹
Side with SUPPLY AIR opening	24" ¹
Side with PIPING CONNECTION	61" ²
Side opposite PIPING CONNECTION	26" ³
Bottom	4

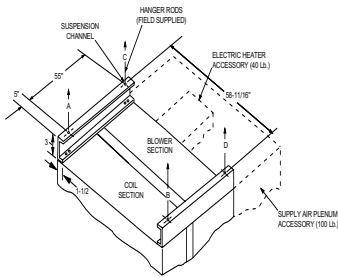
- Overall dimension of the unit will vary if an electric heater, a supply air plenum or a base is used.
- This dimension is required for removal of the coil. Only 26" is required for normal servicing.
- If the coil has to be removed, this dimension is required to loosen screws that secure the coil to the unit frame. This dimension will also be required for blower motor access if the piping connections are made on the opposite side of the unit.
- Allow enough clearance to trap the condensate drain line.

BASIC UNIT SUSPENSION WEIGHTS (LBS.)

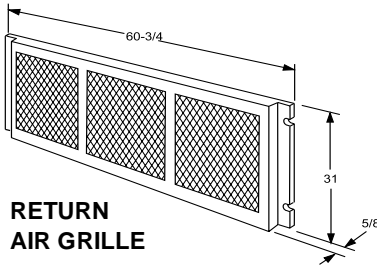
Susp'n Point	With 2 HP Motor	With Heater Access	With Plenum Access	With Heater & Plenum Access
A	95	95	85	85
B	120	120	100	100
C	95	115	165	185
D	115	140	185	205
Total Wt.	425	470	535	575



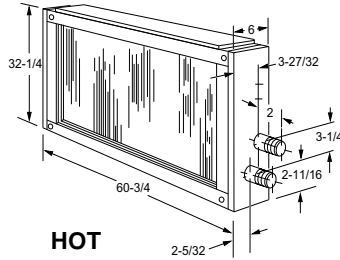
BASE



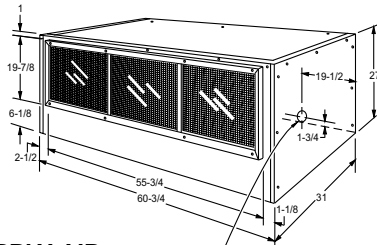
SUSPENSION ACCESSORY ARRANGEMENT/ 10 TON



RETURN AIR GRILLE

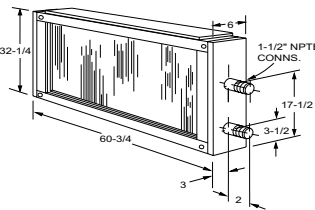


HOT WATER COIL



SUPPLY AIR PLENUM

2-1/2 KNOCKOUT FOR POWER WIRING WHEN ELECTRIC HEATER IS USED

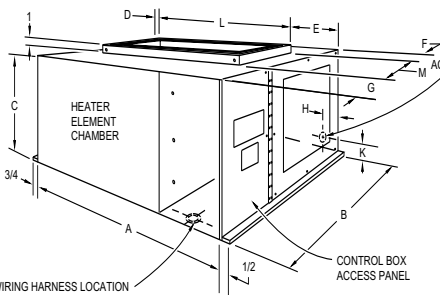


STEAM COIL

FIELD-INSTALLED ACCESSORIES

- SUPPLY AIR PLENUM (1SP0452)
- RETURN AIR GRILLE(1RG0451).....
- BASE (1BS0452)
- (Vertical Application Only)
- SUSPENSION PACKAGE(1HH0451).....
- (Horizontal Application Only)
- ELECTRIC HEATER*
- Model Number..... _____
- Capacity (@ _____ Volts) _____ MBH
- Power Input Requirement _____ kW
- (Less Blower Motor)
- STEAM COIL (1NF0452)
- Steam Pressure _____ PSIG
- Capacity _____ MGB
- Steam Rate _____ LBS/HR
- .. Entering Air Temperature _____ °F
- HOT WATER (1HW0452)
- Capacity _____ MBH
- Entering Water Temperature.... _____ °F
- Water Flow Rate _____ GPM
- Entering Air Temperature _____ °F
- Water Pressure Drop..... _____ PSI

* Units with electric heat have a single source power supply. Refer to Product Data on front side for electric data.



WIRING HARNESS LOCATION
This opening in the bottom of the heater control box is used for the wiring harness that connects the heater accessory to the basic unit. It is provided with a squeeze connector for securing the wiring harness, and its location corresponds to the location of the 1-23/32 inch knockout in the top panel of the basic unit.

ACCESS OPENING FOR POWER SUPPLY WIRING
10KW THRU 30KW - Add a 1-1/4 inch conduit fitting to the 1-23/32 inch hole for wire sizes up through #1 AWG. Remove the knockout ring and add a 1-1/2 inch conduit fitting to the 1-31/32 inch hole for wire sizes up through #0 AWG.

50 KW - Add a 1-1/4 inch conduit fitting to the 1-23/32 inch hole for wire sizes up through #1 AWG. Remove the knockout ring and add a two-inch conduit fitting to the 2-1/2\"/>

ELECTRIC HEATER DIMENSIONS

Heater Model	Nom. kW	Heater Dimensions (inches)								
		A	B	C	D	E	F	G	H	K
2HS04501025, 46	10									
2HS04501605, 46	16	27-1/4	25-1/4	14-1/4	1	4	1/2	5-1/2	1-1/2	1-1/2
2HS04502625, 46	26									
2HS04503625, 46	36									
2HS04507225, 46	72	29-7/8	26-3/8	21-3/4	2-3/8	5-1/4	3/4	6-3/4	2-1/4	2-1/2