

JOB NAME \_\_\_\_\_ LOCATION \_\_\_\_\_  
 PURCHASER \_\_\_\_\_ ORDER NO. \_\_\_\_\_  
 ENGINEER \_\_\_\_\_  
 SUBMITTED TO \_\_\_\_\_ FOR: Reference Approval Construction  
 SUBMITTED BY \_\_\_\_\_ DATE \_\_\_\_\_

UNIT DESIGNATION: Schedule No. \_\_\_\_\_ MODEL NO. \_\_\_\_\_

**PRODUCT DATA**

**COOLING PERFORMANCE**

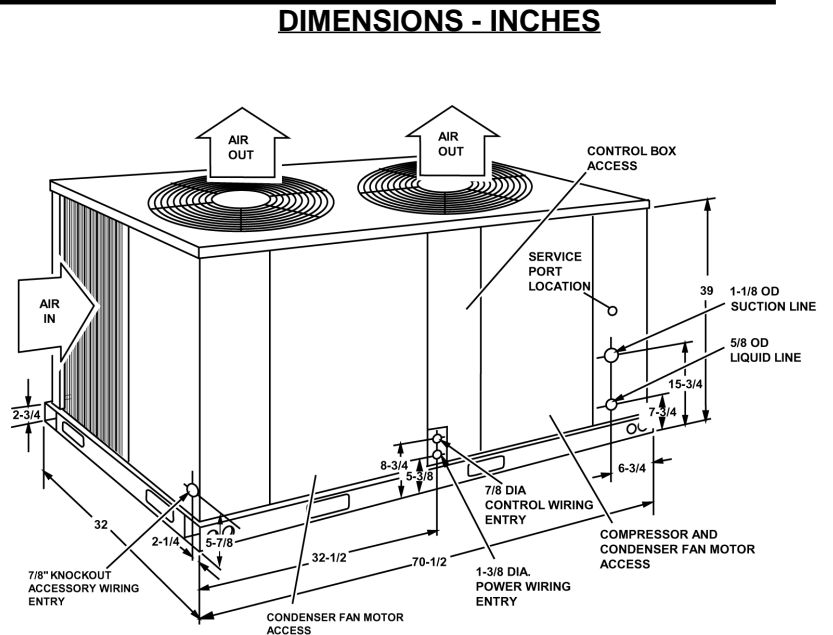
TOTAL CAPACITY ..... MBH  
 OUTDOOR DESIGN TEMP. .... °F  
 SUCT. PRESS. AT SATURATION .... PSIG  
 SUCT. TEMP. AT SATURATION. .... °F

**ELECTRICAL DATA**

POWER SUPPLY .....  
 TOTAL UNIT AMPACITY ..... AMPS  
 POWER INPUT REQUIREMENT ..... KW  
 MINIMUM WIRE SIZE ..... AWG  
 (Copper Conductors)  
 MAXIMUM FUSE SIZE ..... AMPS  
 (Dual Element)

**UNIT WEIGHT**

TOTAL OPERATING WEIGHT ..... LBS.



**FEATURES:**

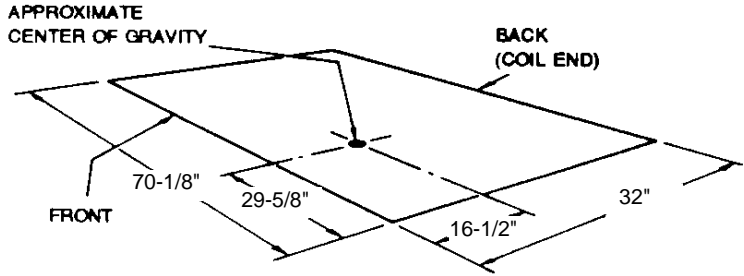
- UL and CSA Approval
- Weatherized Casing with powder paint (750 hour salt spray hours)
- Propeller-Type Outdoor Air Fan
- Inherently Protected Fan Motor
- Factory Wiring
- Refrigerant-22 Holding Charge
- Anti-Recycle Protection
- 24 Volt Temperature Control Circuit
- Copper Tube/Aluminum Fin Coil
- High, Low & Oil Pressure Controls
- Back Seating Suction & Liquid Line Service Valves
- Factory-mounted expansion valve and filter-drier in heating circuit
- Permanently attached base rails with forklift slots and lifting holes. This design allows for 3-way forklift access and overhead rigging.
- Separate panel for easy access to the control box without affecting air flow across the outdoor coil.
- Gauge line refrigerant fittings external to unit.
- Filter Drier
- 5-Year Limited Warranty on Compressor;  
 1-Year Limited Parts Warranty on all Other Parts

**FIELD INSTALLED ACCESSORIES:**

0° Low Ambient Controls . . . ( )   
 Coil Guard . . . . . ( )

**MATCHING AIR SIDE EQUIPMENT:**

Model No. . . . . ( )   
 Submittal Form No. . . . . ( )



**CLEARANCES**

Overhead (Top) <sup>1</sup>	120 in.
Front (Piping & Access Panels)	30 in.
Left Side	24 in.
Right Side	24 in.
Rear	24 in.
Bottom <sup>2</sup>	0 in.

<sup>1</sup>Units must be installed outdoors. Overhanging structures or shrubs should not obstruct condenser air discharge.  
<sup>2</sup>Adequate snow clearance must be provided if winter operation is expected.

**NOTES:** \_\_\_\_\_  
 \_\_\_\_\_  
 \_\_\_\_\_

**SPLIT-SYSTEM CONDENSING UNITS**  
**MODELS HF-07**  
**7 1/2 TONS**

036-22184-001-B-0902  
 Supersedes: 036-22184-001-A-0502

