

# SUBMITTAL DATA SHEET

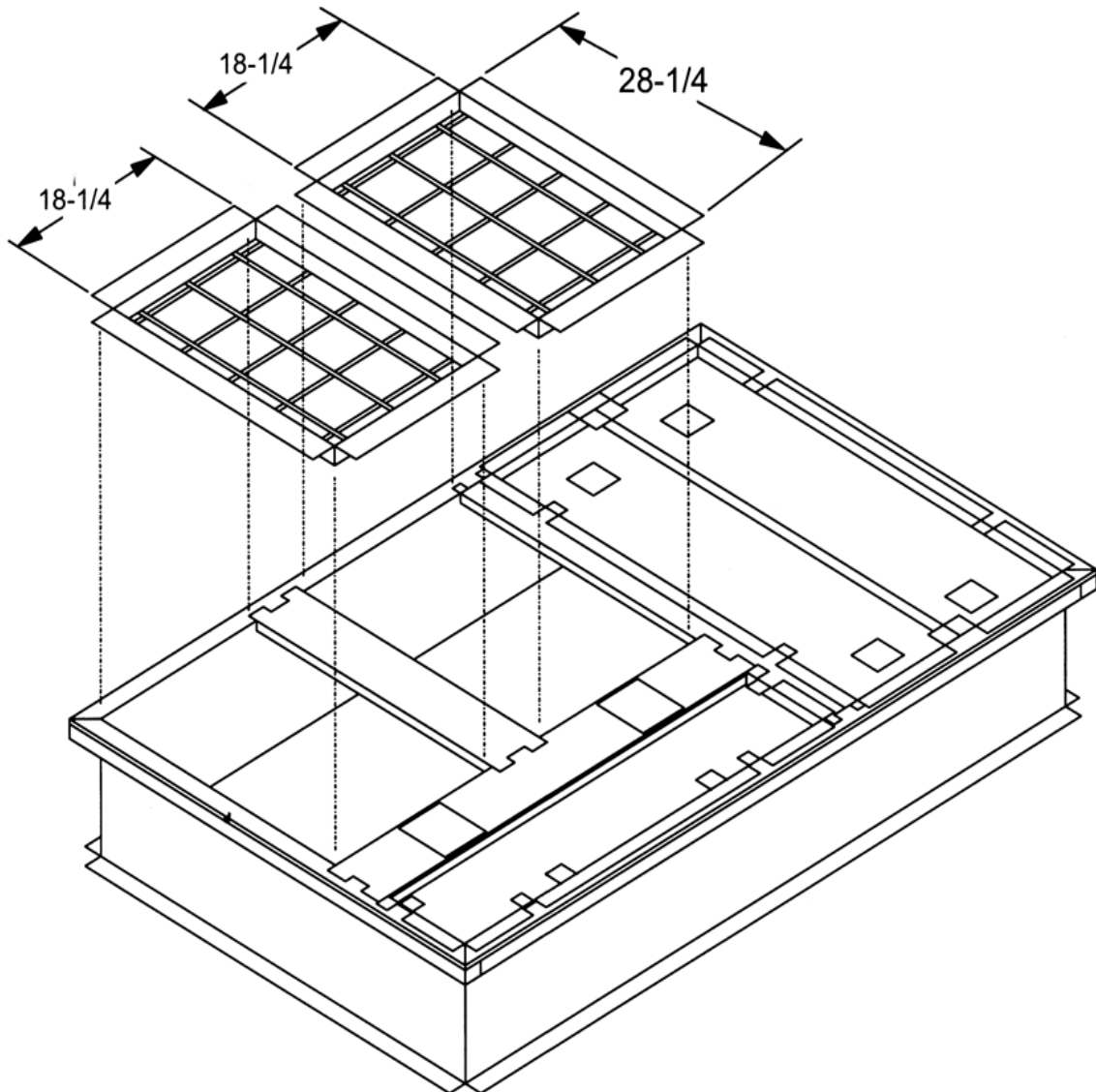


## BURGLAR BAR

1BD0408

MODELS: DL/DU/BA -06, -07, -08, -10, -12

JOB NAME:			LOCATION:		
PURCHASER:			ORDER NO:		
ENGINEER:					
SUBMITTED TO:		FOR:	REF:	APPROVAL:	CONSTRUCTION:
SUBMITTED BY:			DATE:		
UNIT DESIGNATION:			SCHEDULE NO.	MODEL NO.	



DIMENSIONS - INCHES

**NOTES:**

---

---

---

---