



www.Source1Parts.com

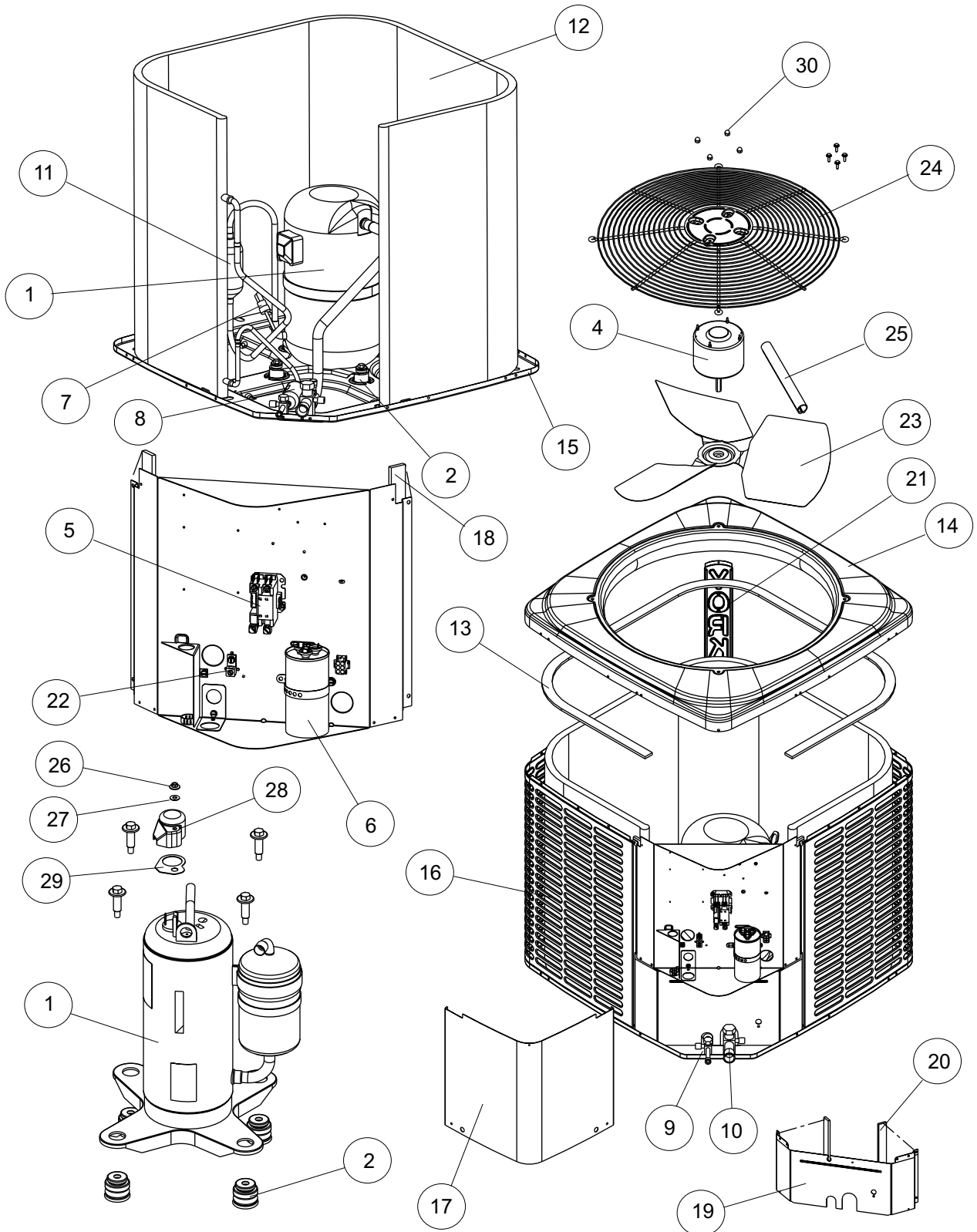
TCJD SERIES - MICROCHANNEL 13 SEER AIR CONDITIONER , R-410A 3RD GENERATION (STYLE A)

HVAC SERVICE PARTS

Supersedes:035-22747-001 Rev. A (0909)

035-22747-001 Rev. B (0610)

1 of 4



ITEM	DESCRIPTION	TCJD18S41S3A	TCJD24S41S3A	TCJD30S41S3A	TCJD36S41S3A
1	Compressor	S1-01504075004	S1-01504076004	S1-01504077004	S1-01504078004
2	Compressor Mount (Pkg. of 4)	S1-02813397000	S1-02809519000	S1-02809519000	S1-02809519000
3*	Harness, Compressor	---	S1-02531884000	S1-02531884000	S1-02531884000
4	Motor, Fan	S1-02435710000	S1-02435328000	S1-02426020700	S1-02435819000
5	Contactora (30 amp)	S1-02427531000	S1-02427531000	S1-02427531000	S1-02427531000
6	Dual Capacitor (35/5 MFD)	S1-02423998700	S1-02423998700	S1-02423998700	---
	Dual Capacitor (40/5 MFD)	---	---	---	S1-02425893700
7	Pressure Switch (High)	S1-02535359000	S1-02535359000	S1-02535359000	S1-02535359000
8	Filter Drier	S1-02922195000	S1-02922195000	S1-02922195000	S1-02922195000
9	Base Valve (3/8") (Liquid)	S1-02531899000	S1-02531899000	S1-02531899000	S1-02531899000
10	Base Valve (3/4") (Suction)	S1-02531900000	S1-02531900000	S1-02531900000	S1-02531900000
11	Muffler	---	---	---	---
12	Outdoor Coil Assembly	S1-37327820001	S1-37327820001	S1-37327820001	S1-37327820002
13	Foam, Outdoor Coil	S1-02815508000	S1-02815508000	S1-02815508000	S1-02815508000
14	Top	S1-07327834001	S1-07327834001	S1-07327834001	S1-07327834002
15	Pan, Base	S1-07323894001	S1-07323894001	S1-07323894001	S1-07323894002
16	Guard Coil, Panel (2 Req'd)	S1-07327906001	S1-07327906001	S1-07327906001	S1-07327906002
17	Cover, Control Box	S1-07327837001	S1-07327837001	S1-07327837001	S1-07327837001
18	Foam Strips, Control Box (2 Req'd)	S1-02815490000	S1-02815490000	S1-02815490000	S1-02815490000
19	Panel, Block-off	S1-07327836001	S1-07327836001	S1-07327836001	
20	Foam Strips, Block-off (2 Req'd)	S1-02815493000	S1-02815493000	S1-02815493000	S1-02815493000
21	Post, Corner	S1-07327835003	S1-07327835003	S1-07327835003	S1-07327835003
22	Lug, Ground	S1-02521798000	S1-02521798000	S1-02521798000	S1-02521798000
23	Blade, Fan	S1-02642490000	S1-02642444000	S1-02642444000	S1-02634094000
24	Guard, Fan	S1-02642483000	S1-02642483000	S1-02642483000	S1-02642487000
25	Wireway	S1-02815877000	S1-02815877000	S1-02815877000	S1-02815873000
26	Hex Nut, Flange	S1-02118373000	---	---	---
27	Gasket, Flange Nut	S1-02814700000	---	---	---
28	Cover, Terminal	S1-02815233000	---	---	---
29	Gasket, Terminal Cover	S1-02815234000	---	---	---
30	Kit, Motor Mounting (Acorn Nuts)	S1-36390117700	S1-36390117700	S1-36390117700	S1-36390117700
31					
32					
33*	Coil Mount, Rubber (6 Req'd)	S1-02815500000	S1-02815500000	S1-02815500000	S1-02815500000
34*	Refrigerant Orifice (.048)	S1-02919387038	---	---	---
	Refrigerant Orifice (.055)	---	S1-02919387014	---	---
	Refrigerant Orifice (.061)	---	---	S1-02919387003	---
	Refrigerant Orifice (.065)	---	---	---	S1-02919387011
35*	Harness, Main Wiring	S1-37320055004	S1-37320055004	S1-37320055004	S1-37320055004
36*	Plate, Bezel	S1-02815899000	S1-02815899000	S1-02815899000	S1-02815899000
37*	Wiring Diagram	167242	167242	167242	167242

<
<

NOTE: *Not Shown
 New replacement parts shown in **bold** face type at the first printing of parts list dated 6/10.
 Major components and suggested stocking items are shown with shaded item number.
 "<" Across from row indicates a change in that row.
 --- Not applicable to specified model.



ITEM	DESCRIPTION	TCJD42S41S3A	TCJD48S41S3A	TCJD60S41S3A
1	Compressor	S1-01504079004	S1-01504080004	S1-01503595004
2	Compressor Mount (Pkg. of 4)	S1-02809519000	S1-02809519000	S1-02812355000
3*	Harness, Compressor	S1-02531884000	S1-02531884000	S1-02531884000
4	Motor, Fan	S1-02435819000	S1-02435819000	S1-02435819000
5	Contactora (30 amp)	S1-02427531000	S1-02427531000	---
	Contactora (40 amp)	---	---	S1-02435837700
	Dual Capacitor (45/5 MFD)	S1-02425120700	S1-02425120700	---
	Dual Capacitor (70/5 MFD)	---	---	S1-02427616000
7	Pressure Switch (High)	S1-02535359000	S1-02535359000	S1-02535359000
8	Filter Drier	S1-02922195000	S1-02922195000	S1-02922195000
9	Base Valve (3/8") (Liquid)	S1-02531899000	S1-02531899000	S1-02531899000
10	Base Valve (7/8") (Suction)	S1-02531910000	S1-02531910000	S1-02531910000
11	Muffler	S1-02539847000	S1-02539847000	---
12	Outdoor Coil Assembly	S1-37327820003	S1-37327820003	S1-37327851001
13	Foam, Outdoor Coil	S1-02815509000	S1-02815509000	S1-02815863000
14	Top	S1-07327834002	S1-07327834002	S1-07327853001
15	Pan, Base	S1-07323894002	S1-07323894002	S1-07327844002
16	Guard Coil, Panel (2 Req'd)	S1-07327906003	S1-07327906003	S1-07327906005
17	Cover, Control Box	S1-07327837001	S1-07327837001	S1-07327837001
18	Foam Strips, Control Box (2 Req'd)	S1-02815490000	S1-02815490000	S1-02815490000
19	Panel, Block-off	S1-07327836002	S1-07327836002	S1-07327855001
20	Foam Strips, Block-off (2 Req'd)	S1-02815494000	S1-02815494000	S1-02815522000
21	Post, Corner	S1-07327835004	S1-07327835004	S1-07327854001
22	Lug, Ground	S1-02521798000	S1-02521798000	S1-02521798000
23	Blade, Fan	S1-026424910000	S1-026424910000	S1-02631361000
24	Guard, Fan	S1-02642487000	S1-02642487000	S1-02642586000
25	Wireway	S1-02815873000	S1-02815873000	S1-02815864000
26	Hex Nut, Flange	---	---	---
27	Gasket, Flange Nut	---	---	---
28	Cover, Terminal	---	---	---
29	Gasket, Terminal Cover	---	---	---
30	Kit, Motor Mounting (Acorn Nuts)	S1-36390117700	S1-36390117700	S1-36390117700
31				
32				
33*	Coil Mount, Rubber (6 Req'd)	S1-02815500000	S1-02815500000	S1-02815500000
34*	Refrigerant Orifice (.075)	S1-02919387017	---	---
	Refrigerant Orifice (.073)	---	S1-02919387005	---
	Refrigerant Orifice (.087)	---	---	S1-02919387007
35*	Harness, Main Wiring	S1-37320055004	S1-37320055004	S1-37320055004
36*	Plate, Bezel	S1-02815899000	S1-02815899000	S1-02815899000
37*	Wiring Diagram	167242	167242	167242

NOTE: *Not ShownNew replacement parts shown in **bold** face type at the first printing of parts list dated 6/10.

Major components and suggested stocking items are shown with shaded item number.

"←" Across from row indicates a change in that row.

--- Not applicable to specified model.

TO ORDER AUTHORIZED FACTORY REPLACEMENT PARTS - Contact your Source1 HVAC Parts Distributor or visit our website at www.Source1Parts.com for a Distributor and Dealer listing.

Subject to change without notice. Published in U.S.A.
Copyright © 2010 by Johnson Controls, Inc. All rights reserved.

035-22747-001 Rev. B (0610)
Supersedes: 035-22747-001 Rev. A (0909)

Johnson Controls Unitary Products
5005 York Drive
Norman, Ok 73069