



www.Source1Parts.com

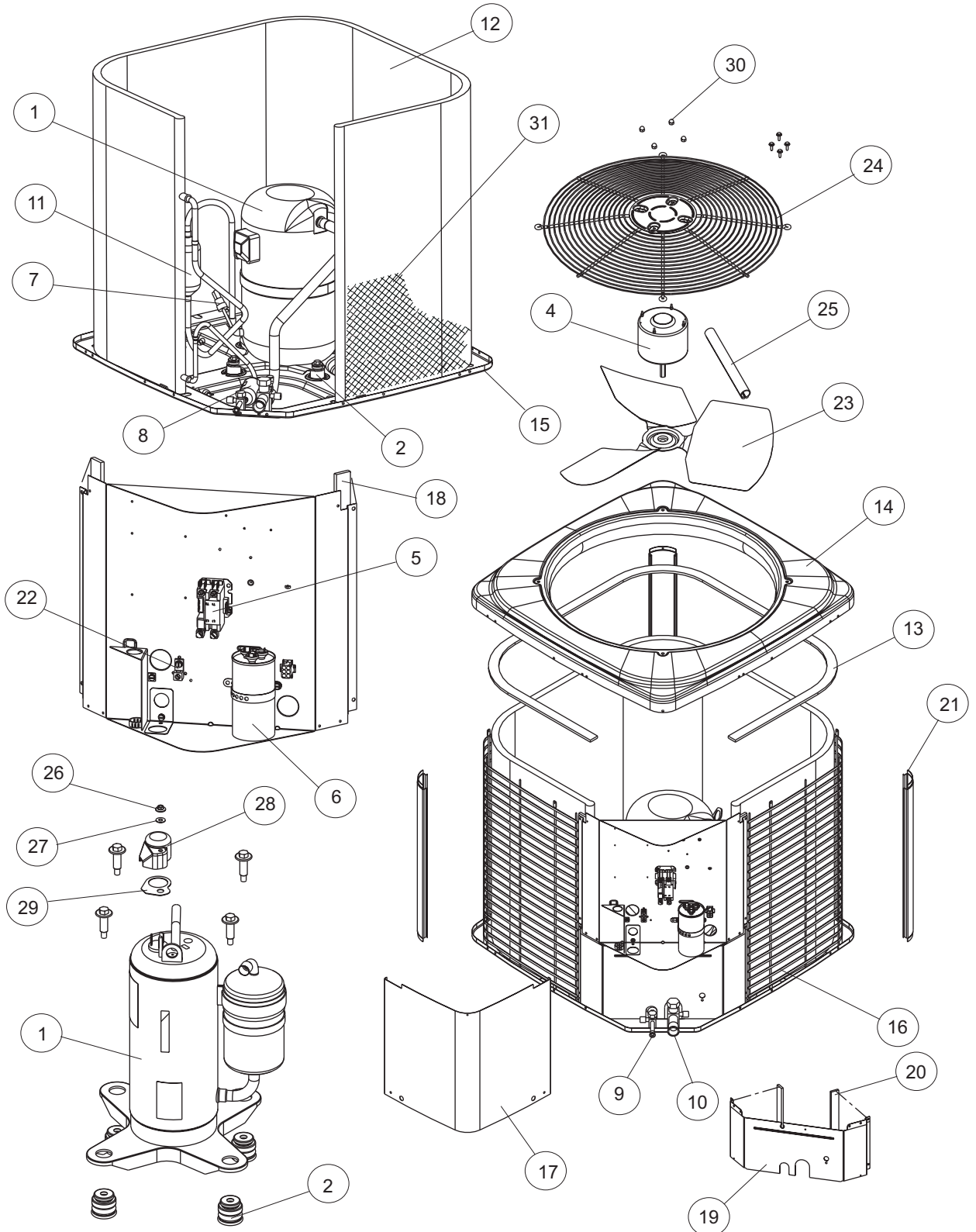
LCJD SERIES - MICROCHANNEL 13 SEER AIR CONDITIONER - R410A (STYLE A, B, C)

HVAC SERVICE PARTS

Supersedes:035-22020-001 Rev. D (0109)

035-22020-001 Rev. E (0409)

1 of 4



ITEM	DESCRIPTION	LCJD18S41S1A	LCJD24S41S1A	LCJD30S41S1A
1	Compressor	S1-01504075004	S1-01504076004	S1-01504077004
2	Compressor Mount (Pkg. of 4)	S1-02813397000	S1-02809519000	S1-02809519000
3*	Harness, Compressor	---	S1-02531884000	S1-02531884000
4	Motor, Fan	S1-02435710000	S1-02435328000	S1-02426020700
5	Contactora (30 amp)	S1-02427531000	S1-02427531000	S1-02427531000
6	Dual Capacitor (35/5 MFD)	S1-02423998700	S1-02423998700	S1-02423998700
7	Pressure Switch (High)	S1-02535359000	S1-02535359000	S1-02535359000
8	Filter Drier	S1-02922195000	S1-02922195000	S1-02922195000
9	Base Valve (3/8") (Liquid)	S1-02531899000	S1-02531899000	S1-02531899000
10	Base Valve (3/4") (Suction)	S1-02531900000	S1-02531900000	S1-02531900000
11	Muffler	---	---	---
12	Outdoor Coil Assembly	S1-37327820001	S1-37327820001	S1-37327820001
13	Foam, Outdoor Coil	S1-02815508000	S1-02815508000	S1-02815508000
14	Top	S1-07323893001	S1-07323893001	S1-07323893001
15	Pan, Base	S1-07323894001	S1-07323894001	S1-07323894001
16	Guard Coil, Flat Wire	S1-07327839004	S1-07327839004	S1-07327839004
17	Cover, Control Box	S1-07323895001	S1-07323895001	S1-07323895001
18	Foam Strips, Control Box (2 Req'd)	S1-02815490000	S1-02815490000	S1-02815490000
19	Panel, Block-off	S1-07323898002	S1-07323898002	S1-07327832003
20	Foam Strips, Block-off (2 Req'd)	S1-02815493000	S1-02815493000	S1-02815493000
21	Post, Corner (3 Req'd)	S1-07327835003	S1-07327835003	S1-07327835003
22	Lug, Ground	S1-02521798000	S1-02521798000	S1-02521798000
23	Blade, Fan	S1-02642490000	S1-02642444000	S1-02642444000
24	Guard, Fan	S1-02642483000	S1-02642483000	S1-02642483000
25	Wireway	S1-02815486000	S1-02815486000	S1-02815486000
26	Hex Nut, Flange	S1-02118373000	---	---
27	Gasket, Flange Nut	S1-02814700000	---	---
28	Cover, Terminal	S1-02815233000	---	---
29	Gasket, Terminal Cover	S1-02815234000	---	---
30	Kit, Motor Mounting (Acorn Nuts)	S1-36390117700	S1-36390117700	S1-36390117700
31	Coil Guard, Plastic Mesh	S1-02642492000	S1-02642492000	S1-02642492000
32*	Fasteners, Push-in (4 Req'd)	S1-02118381000	S1-02118381000	S1-02118381000
33*	Coil Mount, Rubber (6 Req'd)	S1-02815500000	S1-02815500000	S1-02815500000
34*	Orifice (.048)	S1-02919387038	---	---
	Orifice (.055)	---	S1-02919387014	---
	Orifice (.061)	---	---	S1-02919387003
35*	Harness, Main Wiring	S1-37320055004	S1-37320055004	S1-37320055004
36*	Wiring Diagram	167242	167242	167242

NOTE: *Not ShownNew replacement parts shown in **bold** face type at the first printing of parts list dated 4/09.

Major components and suggested stocking items are shown with shaded item number.

"←" Across from row indicates a change in that row.

--- Not applicable to specified model.

ITEM	DESCRIPTION	LCJD36S41S1A	LCJD42S41S1A	LCJD48S41S1A	LCJD60S41S1A LCJD60S41S1C	LCJD60S41S1B
1	Compressor	S1-01504078004	S1-01504079004	S1-01504080004	S1-01503595004	S1-01504211004
2	Compressor Mount (Pkg. of 4)	S1-02809519000	S1-02809519000	S1-02809519000	S1-02812355000	S1-02812355000
3*	Harness, Compressor	S1-02531884000	S1-02531884000	S1-02531884000	S1-02531884000	S1-02531884000
4	Motor, Fan	S1-02427596700	S1-02427596700	S1-02427596700	S1-02427596700	S1-02427596700
5	Contactora (30 amp)	S1-02427531000	S1-02427531000	S1-02427531000	---	---
	Contactora (40 amp)	---	---	---	S1-02425837700	S1-02425837700
6	Dual Capacitor (40/5 MFD)	S1-02425893700	---	---	---	---
	Dual Capacitor (45/5 MFD)	---	S1-02425120700	S1-02425120700	---	---
	Dual Capacitor (70/5 MFD)	---	---	---	S1-02427616000	S1-02435844000
7	Pressure Switch (High)	S1-02535359000	S1-02535359000	S1-02535359000	S1-02535359000	S1-02535359000
8	Filter Drier	S1-02922195000	S1-02922195000	S1-02922195000	S1-02922195000	S1-02922195000
9	Base Valve (3/8") (Liquid)	S1-02531899000	S1-02531899000	S1-02531899000	S1-02531899000	S1-02531899000
10	Base Valve (3/4") (Suction)	S1-02531900000	---	---	---	---
	Base Valve (7/8") (Suction)	---	S1-02531910000	S1-02531910000	S1-02531910000	S1-02531910000
11	Muffler	---	S1-02539847000	S1-02539847000	---	---
12	Outdoor Coil Assembly	S1-37327820002	S1-37327820003	S1-37327820003	S1-37327851001	S1-37327851001
13	Foam, Outdoor Coil	S1-02815508000	S1-02815509000	S1-02815509000	S1-02815863000	S1-02815863000
14	Top	S1-07323893002	S1-07323893002	S1-07323893002	S1-07327844001	S1-07327844001
15	Pan, Base	S1-07323894002	S1-07323894002	S1-07323894002	S1-07327844002	S1-07327844002
16	Guard Coil, Flat Wire	S1-07327839005	S1-07327839006	S1-07327839006	S1-07327846010	S1-07327846010
17	Cover, Control Box	S1-07323895001	S1-07323895001	S1-07323895001	S1-07327837001	S1-07327837001
18	Foam Strips, Control Box (2 Req'd)	S1-02815490000	S1-02815490000	S1-02815490000	S1-02815490000	S1-02815490000
19	Panel, Block-off	S1-07323898002	S1-07323898003	S1-07323898003	S1-07327855001	S1-07327855001
20	Foam Strips, Block-off (2 Req'd)	S1-02815493000	S1-02815494000	S1-02815494000	S1-02815522000	S1-02815522000
21	Post, Corner (3 Req'd)	S1-07327835003	S1-07327835004	S1-07327835004	S1-07327854001	S1-07327854001
22	Lug, Ground	S1-02521798000	S1-02521798000	S1-02521798000	S1-02521798000	S1-02521798000
23	Blade, Fan	S1-02634094000	S1-026424910000	S1-026424910000	S1-02631361000	S1-02631361000
24	Guard, Fan	S1-02642487000	S1-02642487000	S1-02642487000	S1-02642586000	S1-02642586000
25	Wireway	S1-02815486000	S1-02815486000	S1-02815486000	S1-02815864000	S1-02815864000
26	Hex Nut, Flange	---	---	---	---	---
27	Gasket, Flange Nut	---	---	---	---	---
28	Cover, Terminal	---	---	---	---	---
29	Gasket, Terminal Cover	---	---	---	---	---
30	Kit, Motor Mounting (Acorn Nuts)	S1-36390117700	S1-36390117700	S1-36390117700	S1-36390117700	S1-36390117700
31	Coil Guard, Plastic Mesh	S1-02642547000	S1-02642546000	S1-02642546000	S1-02815868000	S1-02815868000
32*	Fasteners, Push-in (4 Req'd)	S1-02118381000	S1-02118381000	S1-02118381000	S1-02118381000	S1-02118381000
33*	Coil Mount, Rubber (6 Req'd)	S1-02815500000	S1-02815500000	S1-02815500000	S1-02815500000	S1-02815500000
34*	Orifice (.065)	S1-02919387011	---	---	---	---
	Orifice (.075)	---	S1-02919387017	---	---	---
	Orifice (.073)	---	---	S1-02919387005	---	---
	Orifice (.087)	---	---	---	S1-02919387007	S1-02919387007
35*	Harness, Main Wiring	S1-37320055004	S1-37320055004	S1-37320055004	S1-37320055004	S1-37320055004
36*	Wiring Diagram	167242	167242	167242	167242	167242

NOTE: *Not ShownNew replacement parts shown in **bold** face type at the first printing of parts list dated 4/09.

Major components and suggested stocking items are shown with shaded item number.

"←" Across from row indicates a change in that row.

--- Not applicable to specified model.

NOTES

TO ORDER AUTHORIZED FACTORY REPLACEMENT PARTS - Contact your Source1 HVAC Parts Distributor or visit our website at www.Source1Parts.com for a Distributor and Dealer listing.