

Supersedes: Nothing

035-21393-001 Rev. A (0108)

Page 1 of 4

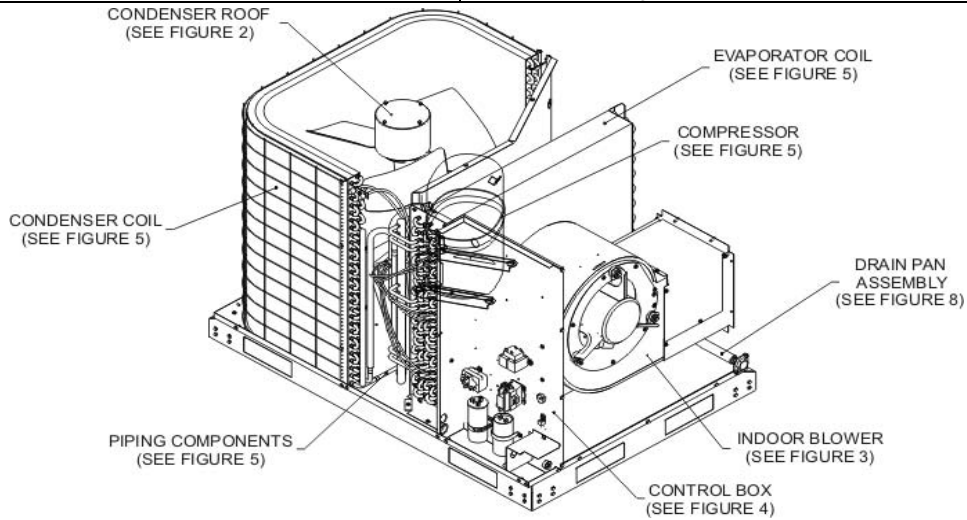


FIGURE 1: SINGLE PACKAGE HEAT PUMP

Item	Figure	Description	Elect Code	Qty	PHP024H1321B			
Compressor								
1	5	Compressor, H21J203ABCA		1	S1-01504081001			
	5	Compressor, H21J253ABCA		1	---			
	5	Compressor, H21J323ABCA		1	---			
	5	Compressor, H21J323DBLA		1	---			
1A	5*	Harness, Compressor		1	S1-02531885000			
2	5	Cushion Mount		4	S1-9435-1081			
3	5	Bolt Assembly		4	S1-1048-0033			

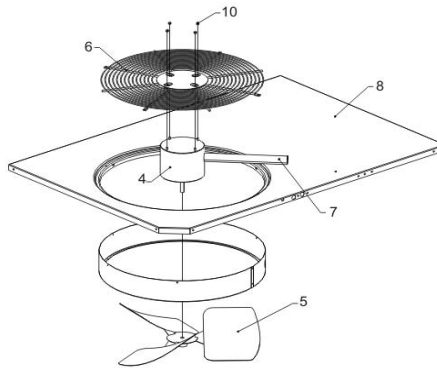


FIGURE 2: CONDENSER ROOF ASSEMBLY

Item	Figure	Description	Elect Code	Qty	PHP024H1321B			
Condenser Fan Motor & Air Moving Components								
4	2	Motor, Fan 1/4 HP, 208/230V		1	S1-02425119000			
5	2	Fan, Prop, 20", 3 Blade, 26° Pitch		1	S1-02637301000			
6	2	Guard, Fan		1	S1-02635525800			
7	2	Wireway, 24"		1	S1-02813297000			
8	2	Roof, Condenser		1	S1-37323806001			
10	2	Kit, Acorn Nuts		1	S1-36390117700			

NOTE: *Not Shown

New replacement parts shown in **bold** face type at the first printing of parts list dated 1/08.

Major components and suggested stocking items are shown with shaded item number.

"<" across from row indicates a change in that row.

"---" indicates not applicable to specified model.



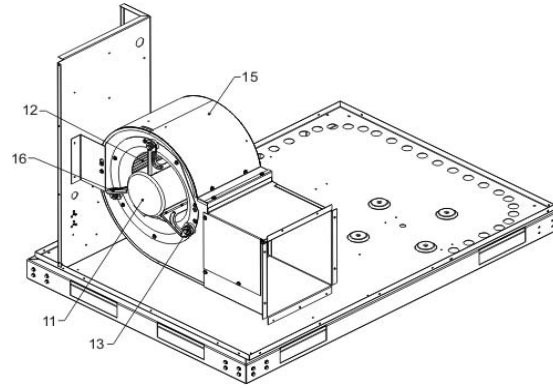


FIGURE 3: INDOOR BLOWER ASSEMBLY

Item	Figure	Description	Elect Code	Qty	PHP024H1321B			
Indoor Blower Motor & Air Moving Components								
11	3	Motor, Blower, 1/2HP X-13		1	S1-02435326001			
12	3	Wheel		1	S1-1472-2751			
15	3	Housing, Blower		1	S1-37323806010			
15A	3*	Cut Off		1	S1-7436-2861			
16	3	Clamp Assembly		1	S1-37323806020			

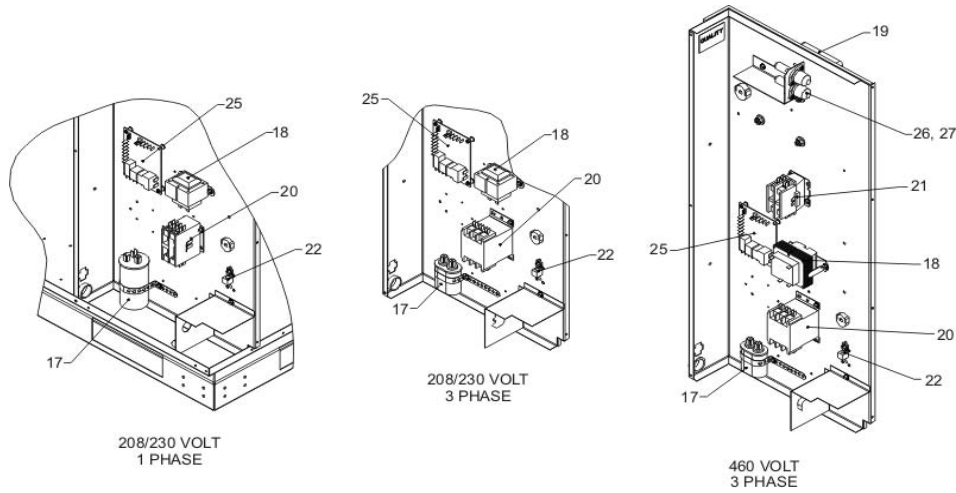


FIGURE 4: CONTROL BOX ASSEMBLY

Item	Figure	Description	Elect Code	Qty	PHP024H1321B			
Electric Box								
17	4	Capacitor, Run 10.0 MFD, 370V	RC1	1	---			
	4	Capacitor, Run 30/5 MFD, 370V	RC1	1	---			
	4	Capacitor, Run 40/5 MFD, 370V	RC1	1	---			
	4	Capacitor, Run 60/5.0 MFD, 370V	RC1	1	S1-02423998000			
18	4	Transformer, 240/24 VAC 40 VA	T1	1	S1-3300-3861			
20	4	Contact, Elec., 3 Pole, 30 Amp 24V	M1	1	---			
	4	Contact, Elec., 1 Pole, 40 Amp 24V	M1	1	S1-02427531000			
22	4	Lug, Electrical	GND	1	S1-02521798000			
23	5	Sensor, Temperature, Coil	DS-C	1	S1-03101276000			
24	5	Sensor, Temperature, Ambient	DS-A	1	S1-02538584000			
25	4	Control Board, Defrost		1	S1-03101975000			

NOTE: *Not Shown

New replacement parts shown in **bold** face type at the first printing of parts list dated 1/08.

Major components and suggested stocking items are shown with shaded item number.

"<" across from row indicates a change in that row.

"---" indicates not applicable to specified model.



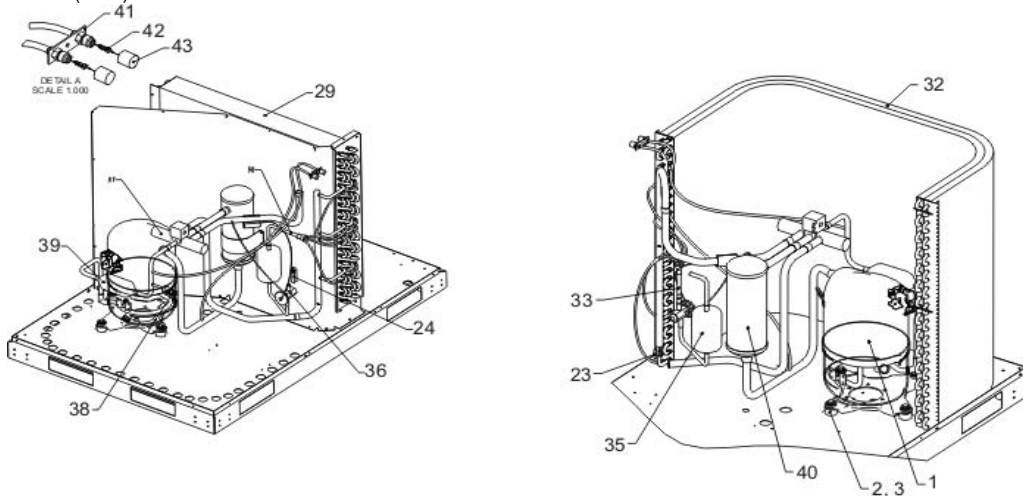


FIGURE 5: REFRIGERANT SYSTEM ASSEMBLY, PIPING COMPONENTS, COMPRESSOR, EVAPORATOR COIL & CONDENSER COIL

Item	Figure	Description	Elect Code	Qty	PHP024H1321B			
Evaporator Coil								
29	5	Coil, Evaporator		1	S1-37323813001			
30	5*	Valve, Distributor, 4 Tube, #60		1	S1-02539863001			
	5*	Valve, Distributor, 4 Tube, #65		1	---			
	5*	Valve, Distributor, 8 Tube, #74		1	---			
30A	5*	Orifice, Refrigerant, #60		1	S1-02924459000			
	5*	Orifice, Refrigerant, #65		1	---			
	5*	Orifice, Refrigerant, #74		1	---			

Condenser Coil								
32	5	Coil, Condenser		1	S1-37323813013			
33	5	Valve, Distributor, 7 Tube		1	---			
	5	Valve, Distributor, 8 Tube		1	S1-02539863013			

Piping Components								
35	5	Filter Drier		1	S1-02625512000			
36	5	Valve, TXV		1	S1-02538756007			
37	5*	Reversing Valve	RVS	1	S1-02538946000			
38	5	Switch, High Pressure	HP	1	S1-02533305048			
39	5	Valve, Check		1	S1-02211522000			
40	5	Accumulator		1	S1-02635435000			
41	5	Valve Body Assembly		1	S1-7436-351			
42	5	Valve, Schraeder		2	S1-6103-350			
43	5	Cap Seal, 1/4 Flare		2	S1-02310745000			

Electric Heat								
5 Kw								
*	*	Terminal Block		1	S1-02539864000	S1-02539864000	S1-02539864000	---
*	*	Time Delay (1 Pole)		1	S1-02435338000	S1-02435338000	S1-02435338000	---
*	*	Thermostat, Open 120 / Close 100		1	S1-02539865000	S1-02539865000	S1-02539865000	---
*	*	Heater Kit Wiring Harness		1	S1-02539866000	S1-02539866000	S1-02539866000	---
10 Kw								
*	*	Terminal Block		1	S1-02539864000	S1-02539864000	S1-02539864000	---
*	*	Time Delay (2 Pole)		1	S1-02435339000	S1-02435339000	S1-02435339000	---
*	*	Thermostat, Open 130 / Close 100		2	S1-02539867000	S1-02539867000	S1-02539867000	---
*	*	Heater Kit Wiring Harness		1	S1-02539868000	S1-02539868000	S1-02539868000	---
15 Kw								
*	*	Circuit Breaker (2 Pole 60 Amp)		2	S1-02435340000	S1-02435340000	S1-02435340000	---
*	*	Time Delay (3 Pole W/Jumper Wire)		1	S1-02435341000	S1-02435341000	S1-02435341000	---
*	*	Thermostat, Open 145 / Close 115		3	S1-02539869000	S1-02539869000	S1-02539869000	---
*	*	Heater Kit Wiring Harness		1	S1-02539870000	S1-02539870000	S1-02539870000	---

NOTE: *Not Shown

New replacement parts shown in **bold** face type at the first printing of parts list dated 1/08.

Major components and suggested stocking items are shown with shaded item number.

"<" across from row indicates a change in that row.

"---" indicates not applicable to specified model.

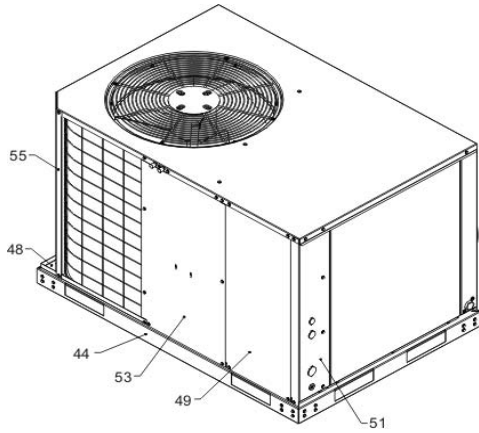


FIGURE 6: CABINET FRONT

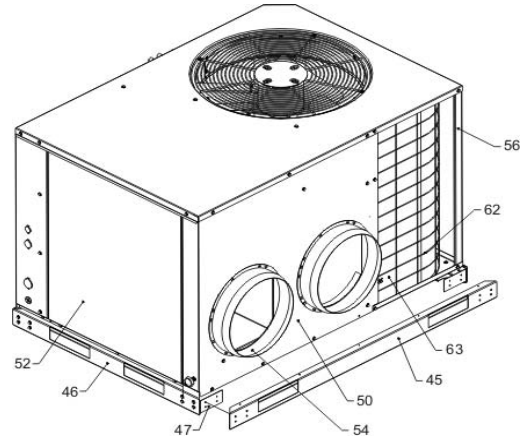


FIGURE 7: CABINET BACK

Item	Figure	Description	Elect Code	Qty	PHP024H1321B			
Fabricated Parts								
44	6	Base Rail, Back & Front		2	S1-07323807002			
46	7	Base Rail, Side		2	S1-07323807005			
47	7	Bracket, Base Rail		4	S1-07323807007			
48	6	Base Pan		1	S1-07323808001			
49	6	Panel, Control Box		1	S1-07323809001			
50	7	Panel Assembly, Left		1	S1-07323809004			
51	6	Panel, Corner		1	S1-07323809007			
52	7	Panel Assembly, Rear		1	S1-37323809013			
53	6	Panel, Right Side		1	S1-07323809010			
54	7	Duct Flange		2	S1-7436-2781			
55	6	Corner Post		1	S1-07323826002			
56	7	Corner Post, 28"		1	S1-07323810004			

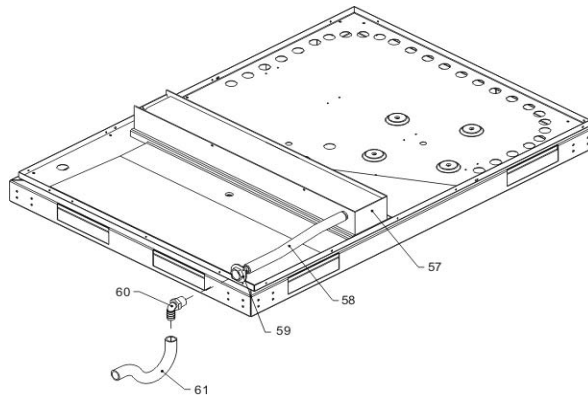


FIGURE 8: DRAIN PAN ASSEMBLY

Item	Figure	Description	Elect Code	Qty	PHP024H1321B			
Drain Pan and Accessories								
57	8	Drain Pan		1	S1-7430-300-21			
58	8	Drain Pan Tube		1	S1-02922150000			
59	8	Drain Fitting		1	S1-7430-3011			
60	8	Drain Elbow		1	S1-1218-3531			
61	8	Drain Tube		1	S1-7430-3031			
Coil Guard								
62	7	Coil Guard		1	S1-37323811001			
63	7	Coil Guard, Plastic Mesh		1	S1-02814781000			
64	7*	Fastener, Push-in		4	S1-02118381000			

NOTE: *Not Shown

New replacement parts shown in **bold** face type at the first printing of parts list dated 1/08.

Major components and suggested stocking items are shown with shaded item number.

"<" across from row indicates a change in that row.

"--" indicates not applicable to specified model.

TO ORDER AUTHORIZED FACTORY REPLACEMENT PARTS - Contact your Source 1 HVAC Parts Distributor or visit our website at

Subject to change without notice. Printed in U.S.A.

Copyright © by York International Corp. 2008 All rights reserved.

035-21393-001 Rev. A (0108)

Supersedes: Nothing

**Unitary
Products
Group**

**5005
York
Drive**

**Norman
OK
73069**