

# ACCESSORY KIT INSTALLATION MANUAL

## RF INTERFERENCE SERVICE KIT S1-37327804001

FOR USE WITH MODELS: MODULATING FURNACES

### GENERAL

This kit contains one RF Interference filter, which is used to eliminate static interference on AM radios that is caused by modulation of the draft inducer motor and/or the circulating air motor in modulating furnaces.

### INSTALLATION

1. Disconnect power to the furnace. This must be done by opening the circuit breaker to the furnace or shutting off a disconnect switch serving the furnace.
2. Locate the white neutral incoming power wire to the furnace board and unplug it from the "NEUTRAL" terminal on the control board.
3. Locate the black power wire that leads from the blower door switch to the control board and unplug it from the "120 VAC" terminal on the control board.
4. On the filter included in this kit, locate the white wire with the female terminal and plug that into the control board "NEUTRAL" terminal.
5. On the filter included in this kit, locate the black wire with the female terminal and plug that into the control board "120 VAC" terminal.
6. On the filter included in this kit, locate the white wire with the male terminal and connect it to the terminal on the incoming white power wire.
7. On the filter included in this kit, locate the black wire with the male terminal and connect it to the terminal on the incoming black power wire from the door switch.
8. Turn on power to the furnace and verify that the furnace is operating properly.

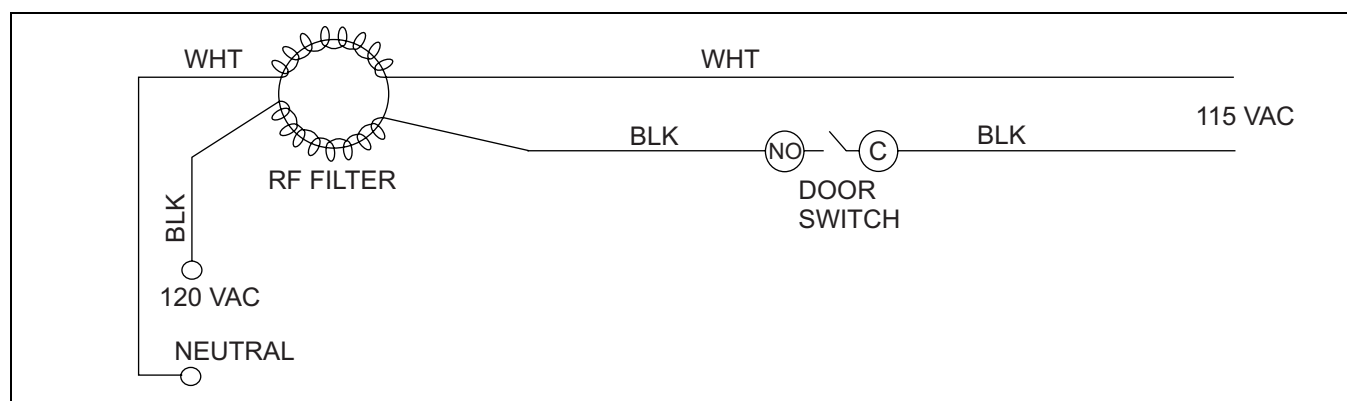


FIGURE 1