

FIGURE 1: SINGLE PACKAGE AIR CONDITIONER

Item	Figure	Description	Elect Code	Qty		PAC030H1322A		
Compressors								
1	5	Compressor, 2J35S236B1A		1		S1-01503805000		
	5*	Cover, Terminal		1		S1-02815233000		
	5*	Gasket, Terminal Cover		1		S1-02815234000		
	5*	Nut, Flange		1		S1-02118373000		
	5*	Gasket, Flange Nut		1		S1-02814700000		
1A	5*	Harness, Compressor		1		S1-02541184000		
2	5	Cushion Mount		4		S1-02813397000		
3	5	Bolt Assembly		4		S1-1048-0033		

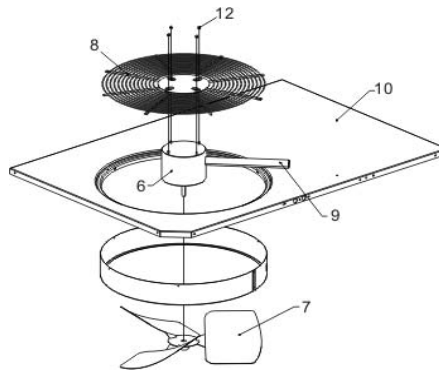


FIGURE 2: CONDENSER ROOF ASSEMBLY

Item	Figure	Description	Elect Code	Qty		PAC030H1322A		
Condenser Fan Motor & Air Moving Components								
6	2	Motor, Fan, 1/4HP 230V		1		S1-02427673000		
7	2	Fan, Propeller, 18"		1		S1-02634092000		
	2	Fan, Propeller, 20"		1		---		
8	2	Guard, Fan		1		S1-02635516800		
9	2	Wireway, 18"		1		S1-02813346000		
	2	Wireway, 24"		1		---		
10	2	Roof, Condenser		1		S1-37323806003		
12	2	Kit, Acorn Nuts		1		S1-36390117700		

NOTE: *Not Shown

New replacement parts shown in **bold** face type at the first printing of parts list dated 11/07.
Major components and suggested stocking items are shown with shaded item number.
"<" across from row indicates a change in that row.
"---" indicates not applicable to specified model.

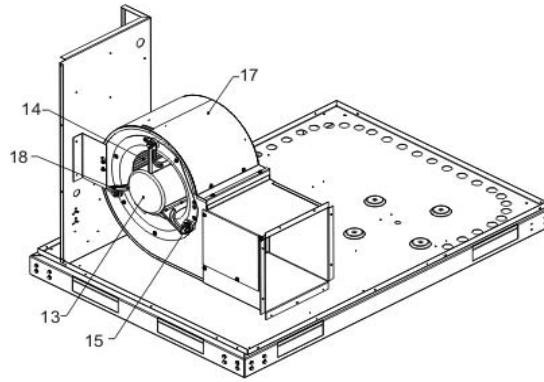


FIGURE 3: BLOWER ASSEMBLY

Item	Figure	Description	Elect Code	Qty		PAC030H1322A		
Indoor Blower Motor & Air Moving Components								
13	3	Motor, Blower, 1/2HP X-13		1		S1-02435326005		
14	3	Wheel		1		S1-1472-2751		
15	3*	Kit, Isolator, Motor Mount		1		S1-2702-4091		
17	3	Housing, Blower		1		S1-37323806010		
18	3	Clamp Assembly		1		S1-37323806020		

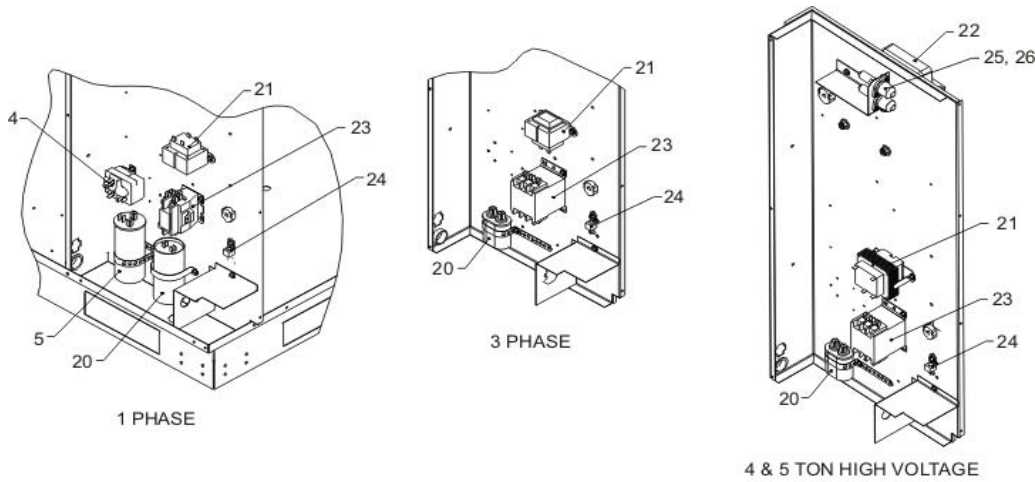


FIGURE 4: CONTROL BOX ASSEMBLY

Item	Figure	Description	Elect Code	Qty		PAC030H1322A		
Electric Box								
20	4	Capacitor, Run, 60.0/5.0 MFD, 370V	RC1	1		S1-02425033000		
	4	Capacitor, Run, 40.0/7.5 MFD, 370V	RC1	1		---		
	4	Capacitor, Run 10.0 MFD, 370V	RC1	1		---		
21	4	Transformer, 240/24 VAC 40 VA	T1	1		S1-3300-3861		
23	4	Contact, Elec., 1 Pole, 30 Amp 24V	M1	1		S1-02427531000		
24	4	Lug, Electrical	GND	1		S1-02521798000		

NOTE: *Not Shown

New replacement parts shown in **bold** face type at the first printing of parts list dated 11/07.

Major components and suggested stocking items are shown with shaded item number.

"<" across from row indicates a change in that row.

"---" indicates not applicable to specified model.



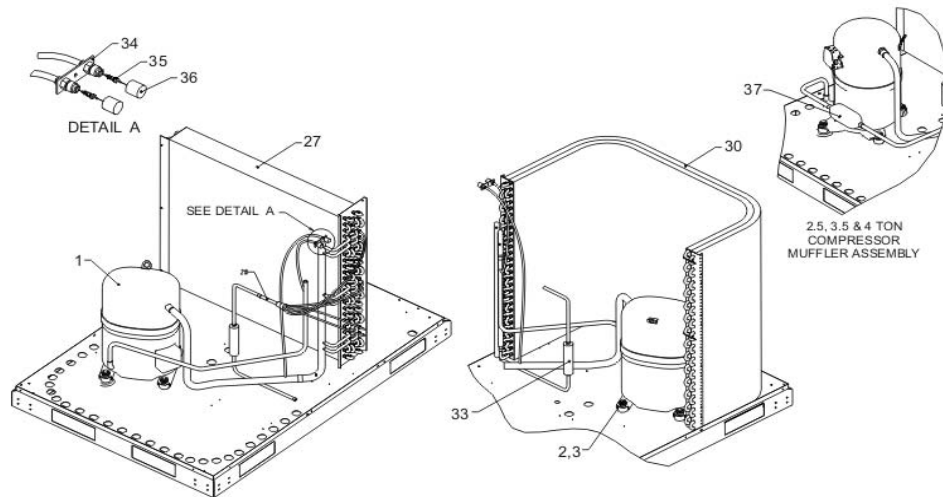


FIGURE 5: REFRIGERANT SYSTEM ASSEMBLY, PIPING COMPONENTS, COMPRESSOR, EVAPORATOR COIL & CONDENSER COIL

Item	Figure	Description	Elect Code	Qty	PAC030H1322A		
Evaporator Coil							
27	5	Coil, Evaporator		1	S1-37323888001		
28	5*	Valve, Distributor, 3 Tube, #68		1	S1-02211489000		
	5*	Orifice, Refrigerant, #76		1	S1-02924443000		

Condenser Coil							
30	5	Coil, Condenser		1	S1-37323823017		

Piping Components							
33	5	Filter Drier		1	S1-02922156000		
34	5	Valve Body Assembly		1	S1-7436-351		
35	5	Valve, Schraeder		2	S1-6103-350		
36	5	Cap Seal, 1/4 Flare		2	S1-02310745000		
37	5	Muffler		1	---		

Electric Heat							
5 Kw							
*	*	Terminal Block		1	S1-02539864000		
*	*	Time Delay (1 Pole)		1	S1-02435338000		
*	*	Thermostat, Open 120 / Close 100		1	S1-02539865000		
*	*	Heater Kit Wiring Harness		1	S1-02539866000		
10 Kw							
*	*	Terminal Block		1	S1-02539864000		
*	*	Time Delay (2 Pole)		1	S1-02435339000		
*	*	Thermostat, Open 130 / Close 100		2	S1-02539867000		
*	*	Heater Kit Wiring Harness		1	S1-02539868000		
15 Kw							
*	*	Circuit Breaker (2 Pole 60 Amp)		2	S1-02435340000		
*	*	Time Delay (3 Pole W/Jumper Wire)		1	S1-02435341000		
*	*	Thermostat, Open 145 / Close 115		3	S1-02539869000		
*	*	Heater Kit Wiring Harness		1	S1-02539870000		

NOTE: *Not Shown

New replacement parts shown in **bold** face type at the first printing of parts list dated 11/07.

Major components and suggested stocking items are shown with shaded item number.

"<" across from row indicates a change in that row.



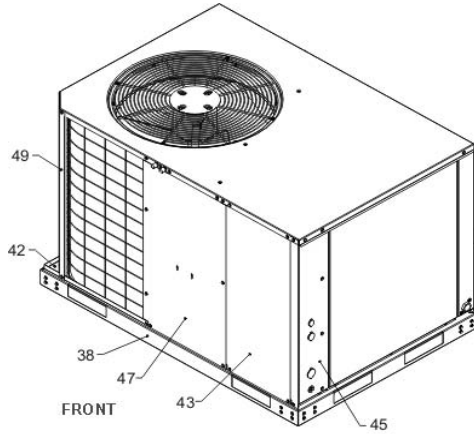


FIGURE 6: CABINET FRONT

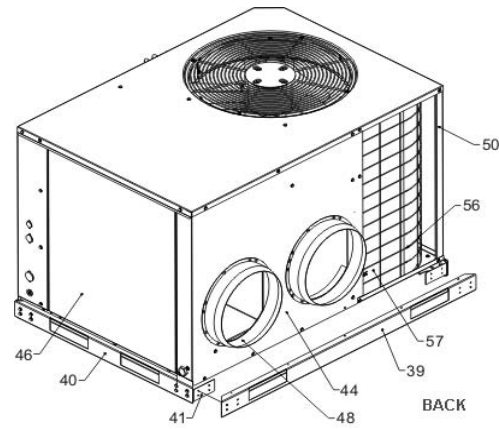


FIGURE 7: CABINET BACK

Item	Figure	Description	Elect Code	Qty	PAC030H1322A		
Fabricated Parts							
38	6	Base Rail, Back and Front		2	S1-07323807004		
40	7	Base Rail, Side		2	S1-07323807006		
41	7	Bracket, Base Rail		4	S1-07323807007		
42	6	Base Pan		1	S1-07323808003		
43	6	Panel, Control Box		1	S1-07323809003		
44	7	Panel Assembly, Left		1	S1-07323809006		
45	6	Panel, Corner		1	S1-07323809009		
46	7	Panel Assembly, Rear		1	S1-37323809015		
47	6	Panel, Right Side		1	S1-07323809012		
48	7	Duct Flange		2	S1-7436-2781		
49	6	Corner Post		1	S1-07323826001		
50	7	Corner Post, 24"		1	S1-07323810005		
	7	Corner Post, 28"		1	---		

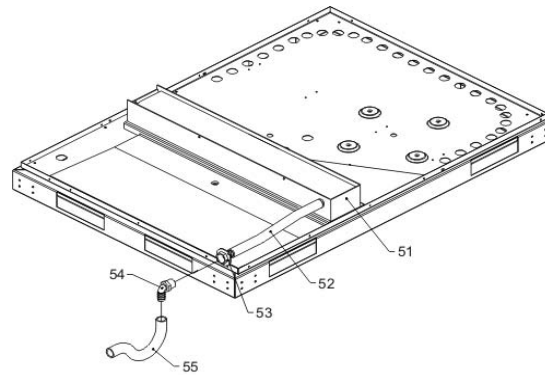


FIGURE 8: DRAIN PAN ASSEMBLY

Item	Figure	Description	Elect Code	Qty	PAC030H1322A		
Drain Pan and Accessories							
51	8	Drain Pan		1	S1-7430-300-11		
52	8	Drain Pan Tube		1	S1-02922150000		
53	8	Drain Fitting		1	S1-7430-3011		
54	8	Drain Elbow		1	S1-1218-3531		
55	8	Drain Tube		1	S1-7430-3031		
Coil Guard							
56	7	Coil Guard		1	S1-37323811003		
57	7	Coil Guard, Plastic Mesh		1	S1-02814780000		
58	7*	Fastener, Push-in		4	S1-02118381000		

TO ORDER AUTHORIZED FACTORY REPLACEMENT PARTS - Contact your Source 1 HVAC Parts Distributor or visit our website at www.Source1Parts.com for a Distributor and Dealer listing.