

FIGURE 1: SINGLE PACKAGE HEAT PUMP

Item	Figure	Description	Elect Code	Qty	PHP024H1321A	PHP030H1321A	PHP036H1321A	PHP036H1331A
<b>Compressor</b>								
1	5	Compressor, H21J203ABCA		1	015-03835-001	---	---	---
	5	Compressor, H21J253ABCA		1	---	015-03836-001	---	---
	5	Compressor, H21J323ABCA		1	---	---	015-03837-001	---
	5	Compressor, H21J323DBLA		1	---	---	---	015-03838-001
1A	5*	Harness, Compressor		1	025-31885-000	025-31885-000	025-31885-000	025-31885-000
2	5	Cushion Mount		4	9435-1081	9435-1081	9435-1081	9435-1081
3	5	Bolt Assembly		4	1048-0033	1048-0033	1048-0033	1048-0033

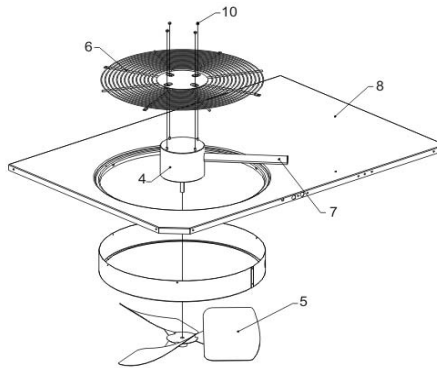


FIGURE 2: CONDENSER ROOF ASSEMBLY

Item	Figure	Description	Elect Code	Qty	PHP024H1321A	PHP030H1321A	PHP036H1321A	PHP036H1331A
<b>Condenser Fan Motor &amp; Air Moving Components</b>								
4	2	Motor, Fan 1/4 HP, 208/230V		1	024-25119-000	024-25119-000	024-27673-000	024-27673-000
5	2	Fan, Prop, 20", 3 Blade, 26° Pitch		1	026-37301-000	026-37301-000	026-37301-000	026-37301-000
6	2	Guard, Fan		1	026-35525-800	026-35525-800	026-35525-800	026-35525-800
7	2	Wireway, 24"		1	028-13297-000	028-13297-000	028-13297-000	028-13297-000
8	2	Roof, Condenser		1	373-23806-001	373-23806-001	373-23806-001	373-23806-001
10	2	Kit, Acorn Nuts		1	363-90117-700	363-90117-700	363-90117-700	363-90117-700

**NOTE:** \*Not Shown

New replacement parts shown in **bold** face type at the first printing of parts list dated 11/07.

Major components and suggested stocking items are shown with shaded item number.

"<" across from row indicates a change in that row.

"---" indicates not applicable to specified model.



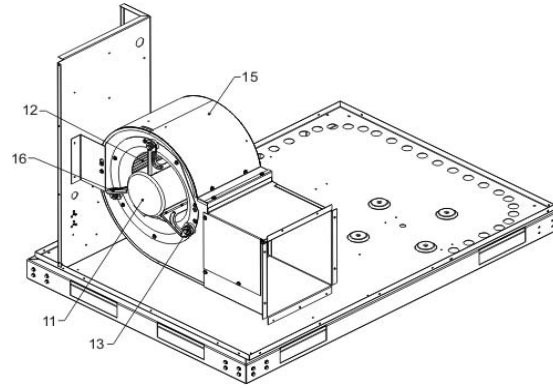


FIGURE 3: INDOOR BLOWER ASSEMBLY

Item	Figure	Description	Elect Code	Qty	PHP024H1321A	PHP030H1321A	PHP036H1321A	PHP036H1331A
<b>Indoor Blower Motor &amp; Air Moving Components</b>								
11	3	Motor, Blower, 1/2HP X-13		1	024-35326-001	024-35326-002	024-35326-003	024-35326-003
12	3	Wheel		1	1472-2751	1472-2751	1472-2751	1472-2751
15	3	Housing, Blower		1	373-23806-010	373-23806-010	373-23806-010	373-23806-010
15A	3*	Cut Off		1	7436-2861	7436-2861	7436-2861	7436-2861
16	3	Clamp Assembly		1	373-23806-020	373-23806-020	373-23806-020	373-23806-020

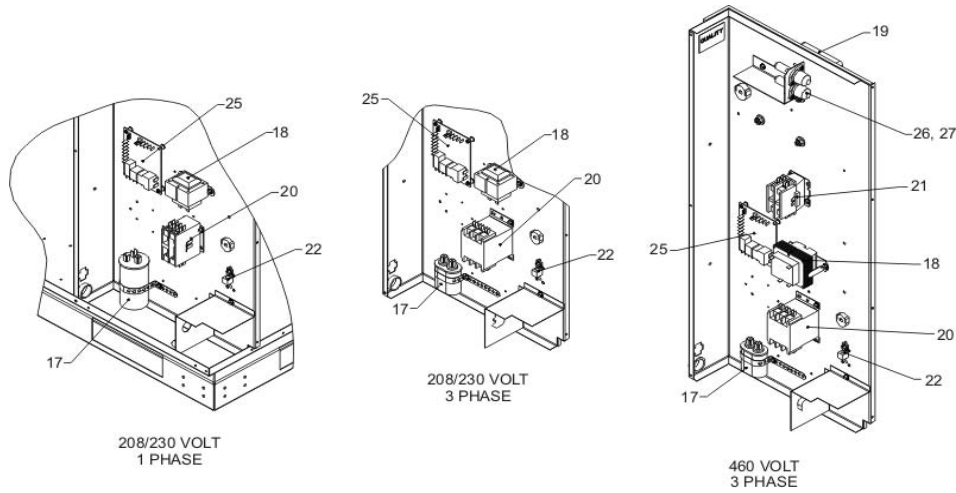


FIGURE 4: CONTROL BOX ASSEMBLY

Item	Figure	Description	Elect Code	Qty	PHP024H1321A	PHP030H1321A	PHP036H1321A	PHP036H1331A
<b>Electric Box</b>								
17	4	Capacitor, Run 10.0 MFD, 370V	RC1	1	---	---	---	024-20046-000
	4	Capacitor, Run 30/5 MFD, 370V	RC1	1	---	024-24778-000	---	---
	4	Capacitor, Run 40/5 MFD, 370V	RC1	1	---	---	024-25893-000	---
	4	Capacitor, Run 60/5.0 MFD, 370V	RC1	1	024-23998-000	---	---	---
18	4	Transformer, 240/24 VAC 40 VA	T1	1	3300-3861	3300-3861	3300-3861	3300-3861
20	4	Contact, Elec., 3 Pole, 30 Amp 24V	M1	1	---	---	---	024-25842-000
	4	Contact, Elec., 1 Pole, 40 Amp 24V	M1	1	024-27531-000	024-27531-000	024-27531-000	---
22	4	Lug, Electrical	GND	1	025-21798-000	025-21798-000	025-21798-000	025-21798-000
23	5	Sensor, Temperature, Coil	DS-C	1	031-01276-000	031-01276-000	031-01276-000	031-01276-000
24	5	Sensor, Temperature, Ambient	DS-A	1	025-38584-000	025-38584-000	025-38584-000	025-38584-000
25	4	Control Board, Defrost		1	031-01975-000	031-01975-000	031-01975-000	031-01975-000

**NOTE:** \*Not Shown

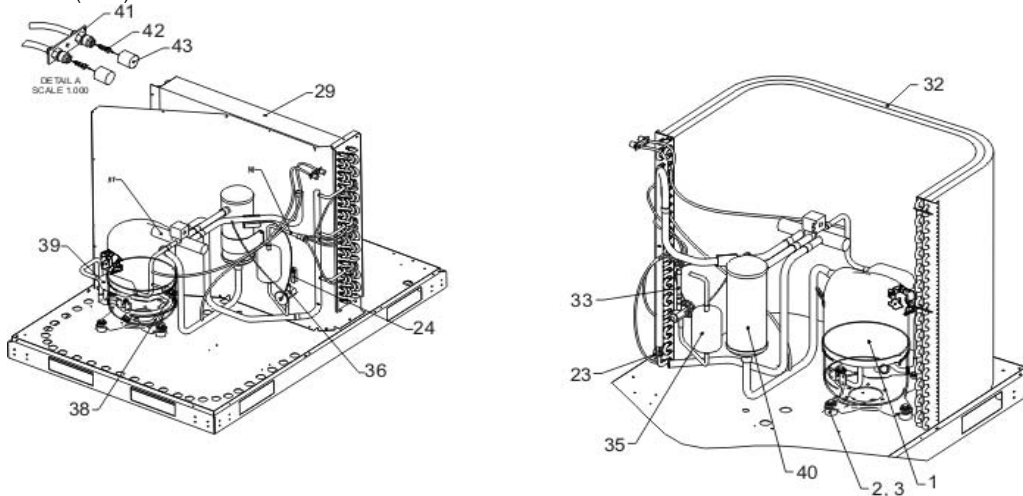
New replacement parts shown in **bold** face type at the first printing of parts list dated 11/07.

Major components and suggested stocking items are shown with shaded item number.

"<" across from row indicates a change in that row.

"---" indicates not applicable to specified model.





**FIGURE 5: REFRIGERANT SYSTEM ASSEMBLY, PIPING COMPONENTS, COMPRESSOR, EVAPORATOR COIL & CONDENSER COIL**

Item	Figure	Description	Elect Code	Qty	PHP024H1321A	PHP030H1321A	PHP036H1321A	PHP036H1331A
<b>Evaporator Coil</b>								
29	5	Coil, Evaporator		1	373-23813-001	373-23813-002	373-23813-003	373-23813-003
30	5*	Valve, Distributor, 4 Tube, #60		1	025-39863-001	---	---	---
	5*	Valve, Distributor, 4 Tube, #65		1	---	025-39863-002	---	---
	5*	Valve, Distributor, 8 Tube, #74		1	---	---	025-39863-003	025-39863-003
30A	5*	Orifice, Refrigerant, #60		1	029-24459-000	---	---	---
	5*	Orifice, Refrigerant, #65		1	---	029-24460-000	---	---
	5*	Orifice, Refrigerant, #74		1	---	---	024-24461-000	024-24461-000

<b>Condenser Coil</b>								
32	5	Coil, Condenser		1	373-23813-013	373-23813-013	373-23813-014	373-23813-014
33	5	Valve, Distributor, 7 Tube		1	---	---	025-39863-014	025-39863-014
	5	Valve, Distributor, 8 Tube		1	025-39863-013	025-39863-013	---	---

<b>Piping Components</b>								
35	5	Filter Drier		1	026-25512-000	026-25512-000	026-25512-000	026-25512-000
36	5	Valve, TXV		1	025-38756-007	025-38756-007	025-38756-008	025-38756-008
37	5*	Reversing Valve	RVS	1	025-38946-000	025-38945-000	025-38946-000	025-38946-000
38	5	Switch, High Pressure	HP	1	025-33305-048	025-33305-048	025-33305-048	025-33305-048
39	5	Muffler		1	025-39847-000	025-39847-000	025-39847-000	025-39847-000
40	5	Accumulator		1	026-35435-000	026-35435-000	026-35435-000	026-35435-000
41	5	Valve Body Assembly		1	7436-351	7436-351	7436-351	7436-351
42	5	Valve, Schraeder		2	6103-350	6103-350	6103-350	6103-350
43	5	Cap Seal, 1/4 Flare		2	023-10745-000	023-10745-000	023-10745-000	023-10745-000

<b>Electric Heat</b>								
<b>5 Kw</b>								
*	*	Terminal Block		1	025-39864-000	025-39864-000	025-39864-000	---
*	*	Time Delay (1 Pole)		1	024-35338-000	024-35338-000	024-35338-000	---
*	*	Thermostat, Open 120 / Close 100		1	025-39865-000	025-39865-000	025-39865-000	---
*	*	Heater Kit Wiring Harness		1	025-39866-000	025-39866-000	025-39866-000	---
<b>10 Kw</b>								
*	*	Terminal Block		1	025-39864-000	025-39864-000	025-39864-000	---
*	*	Time Delay (2 Pole)		1	024-35339-000	024-35339-000	024-35339-000	---
*	*	Thermostat, Open 130 / Close 100		2	025-39867-000	025-39867-000	025-39867-000	---
*	*	Heater Kit Wiring Harness		1	025-39868-000	025-39868-000	025-39868-000	---
<b>15 Kw</b>								
*	*	Circuit Breaker (2 Pole 60 Amp)		2	024-35340-000	024-35340-000	024-35340-000	---
*	*	Time Delay (3 Pole W/Jumper Wire)		1	024-35341-000	024-35341-000	024-35341-000	---
*	*	Thermostat, Open 145 / Close 115		3	025-39869-000	025-39869-000	025-39869-000	---
*	*	Heater Kit Wiring Harness		1	025-39870-000	025-39870-000	025-39870-000	---

**NOTE: \*Not Shown**

New replacement parts shown in **bold** face type at the first printing of parts list dated 11/07.

Major components and suggested stocking items are shown with shaded item number.

"<" across from row indicates a change in that row.

"---" indicates not applicable to specified model.

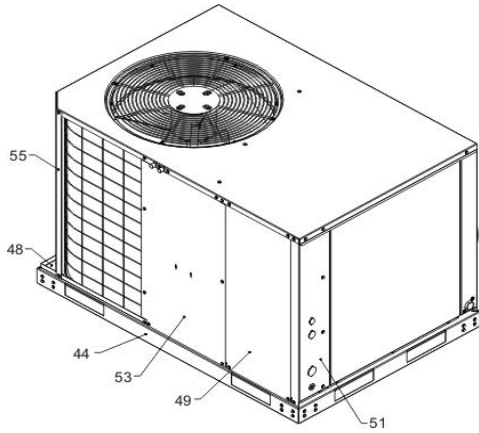


FIGURE 6: CABINET FRONT

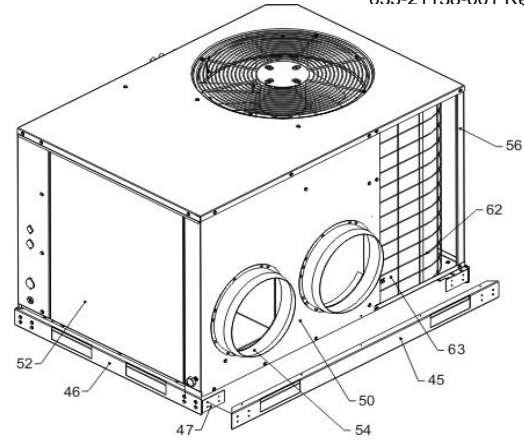


FIGURE 7: CABINET BACK

Item	Figure	Description	Elect Code	Qty	PHP024H1321A	PHP030H1321A	PHP036H1321A	PHP036H1331A
<b>Fabricated Parts</b>								
44	6	Base Rail, Back & Front		2	073-23807-002	073-23807-002	073-23807-002	073-23807-002
46	7	Base Rail, Side		2	073-23807-005	073-23807-005	073-23807-005	073-23807-005
47	7	Bracket, Base Rail		4	073-23807-007	073-23807-007	073-23807-007	073-23807-007
48	6	Base Pan		1	073-23808-001	073-23808-001	073-23808-001	073-23808-001
49	6	Panel, Control Box		1	073-23809-001	073-23809-001	073-23809-001	073-23809-001
50	7	Panel Assembly, Left		1	073-23809-004	073-23809-004	073-23809-004	073-23809-004
51	6	Panel, Corner		1	073-23809-007	073-23809-007	073-23809-007	073-23809-007
52	7	Panel Assembly, Rear		1	373-23809-013	373-23809-013	373-23809-013	373-23809-013
53	6	Panel, Right Side		1	073-23809-010	073-23809-010	073-23809-010	073-23809-010
54	7	Duct Flange		2	7436-2781	7436-2781	7436-2781	7436-2781
55	6	Corner Post		1	073-23826-002	073-23826-002	073-23826-002	073-23826-002
56	7	Corner Post, 28"		1	073-23810-004	073-23810-004	073-23810-004	073-23810-004

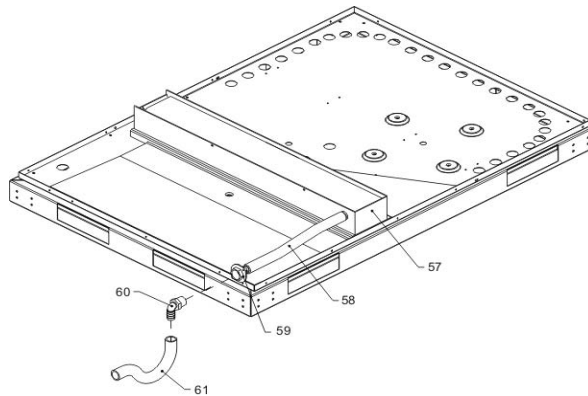


FIGURE 8: DRAIN PAN ASSEMBLY

Item	Figure	Description	Elect Code	Qty	PHP024H1321A	PHP030H1321A	PHP036H1321A	PHP036H1331A
<b>Drain Pan and Accessories</b>								
57	8	Drain Pan		1	7430-300-21	7430-300-21	7430-300-21	7430-300-21
58	8	Drain Pan Tube		1	029-22150-000	029-22150-000	029-22150-000	029-22150-000
59	8	Drain Fitting		1	7430-3011	7430-3011	7430-3011	7430-3011
60	8	Drain Elbow		1	1218-3531	1218-3531	1218-3531	1218-3531
61	8	Drain Tube		1	7430-3031	7430-3031	7430-3031	7430-3031

<b>Coil Guard</b>								
62	7	Coil Guard		1	373-23811-001	373-23811-001	373-23811-001	373-23811-001
63	7	Coil Guard, Plastic Mesh		1	028-14781-000	028-14781-000	028-14781-000	028-14781-000
64	7*	Fastener, Push-in		4	021-18381-000	021-18381-000	021-18381-000	021-18381-000

**NOTE:** \*Not Shown

New replacement parts shown in **bold** face type at the first printing of parts list dated 11/07.  
 Major components and suggested stocking items are shown with shaded item number.  
 "<" across from row indicates a change in that row.  
 "----" indicates not applicable to specified model.



Item	Figure	Description	Elect Code	Qty	PHP042H1321A	PHP048H1321A	PHP048H1331A
<b>Compressor</b>							
1	5	Compressor, H21J383ABCA		1	015-03839-001	---	---
	5	Compressor, H23C453ABCA		1	---	015-03710-004	---
	5	Compressor, H23C453DBDA		1	---	---	015-03711-004
1A	5*	Harness, Compressor		1	025-31885-000	025-31885-000	025-31885-000
2	5	Cushion Mount		4	9435-1081	9435-1081	9435-1081
3	5	Bolt Assembly		4	1048-0033	1048-0033	1048-0033

<b>Condenser Fan Motor &amp; Air Moving Components</b>							
4	2	Motor, Fan, 1/3HP 230V		1	024-35342-000	024-35342-000	024-35342-000
5	2	Fan, Prop,22", 4 Blade, 31° Pitch		1	026-42270-000	026-42270-000	026-42270-000
6	2	Guard, Fan		1	026-33381-001	026-33381-001	026-33381-001
7	2	Wireway, 24"		1	028-13297-000	028-13297-000	028-13297-000
8	2	Roof, Condenser		1	373-23806-002	373-23806-002	373-23806-002
10	2	Kit, Acorn Nuts		1	363-90117-700	363-90117-700	363-90117-700

<b>Indoor Blower Motor &amp; Air Moving Components</b>							
11	3	Motor, Blower, 1HP X-13		1	024-35327-001	024-35327-002	024-35327-002
12	3	Wheel		1	026-19654-012	026-19654-012	026-19654-012
13	3*	Tube, Isolator		3	028-09412-001	028-09412-001	028-09412-001
13A	3*	Washer, Isolator		3	028-09412-002	028-09412-002	028-09412-002
13B	3*	Sleeve, Isolator		3	028-14782-000	028-14782-000	028-14782-000
15	3	Housing, Blower		1	373-23806-011	373-23806-011	373-23806-011
15A	3*	Cut Off		1	073-23812-001	073-23812-001	073-23812-001
16	3	Clamp Assembly		1	026-31459-000	026-31459-000	026-31459-000

<b>Electric Box</b>							
17	4	Capacitor, Run 10.0 MFD, 370V	RC1	1	---	---	024-20046-000
	4	Capacitor, Run 45/5.0 MFD, 370V	RC1	1	024-25895-000	---	---
	4	Capacitor, Run 60/5.0 MFD, 370V	RC1	1	---	024-25033-000	---
18	4	Transformer, 240/24 VAC 40 VA	T1	1	3300-3861	3300-3861	3300-3861
20	4	Contact, Elec., 3 Pole, 40 Amp 24V	M1	1	---	---	024-25842-000
	4	Contact, Elec., 1 Pole, 40 Amp 24V	M1	1	024-25837-000	024-25837-000	---
22	4	Lug, Electrical	GND	1	025-21798-000	025-21798-000	025-21798-000
23	5	Sensor, Temperature, Coil	DS-C	1	031-01276-000	031-01276-000	031-01276-000
24	5	Sensor, Temperature, Ambient	DS-A	1	025-38584-000	025-38584-000	025-38584-000
25	4	Control Board, Defrost		1	031-01975-000	031-01975-000	031-01975-000

<b>Evaporator Coil</b>							
29	5	Coil, Evaporator		1	373-23813-004	373-23813-005	373-23813-005
30	5*	Valve, Distributor, 10 Tube, #86		1	025-39863-004	---	---
	5*	Valve, Distributor, 10 Tube, #89		1	---	025-39863-005	025-39863-005
30A	5*	Orifice, Refrigerant, #86		1	029-24462-000	---	---
	5*	Orifice, Refrigerant, #89		1	---	029-24463-000	029-24463-000

<b>Condenser Coil</b>							
32	5	Coil, Condenser		1	373-23813-015	373-23813-016	373-23813-016
33	5	Valve, Distributor, 8 Tube		1	025-39863-015	373-23815-001	373-23815-001

<b>Piping Components</b>							
35	5	Filter Drier		1	026-25512-000	026-25512-000	026-25512-000
36	5	Valve, TXV		1	025-38756-009	025-38756-010	025-38756-010
37*	5	Reversing Valve	RVS	1	025-38947-000	025-38947-000	025-38947-000
38	5	Switch, High Pressure	HP	1	025-33305-048	025-33305-048	025-33305-048
39	5	Muffler		1	022-09077-000	---	---
40	5	Accumulator		1	026-25573-008	026-25573-008	026-25573-008

**NOTE:** \*Not Shown

New replacement parts shown in **bold** face type at the first printing of parts list dated 11/07.

Major components and suggested stocking items are shown with shaded item number.

"<" across from row indicates a change in that row.

"---" indicates not applicable to specified model.

Item	Figure	Description	Elect Code	Qty	PHP042H1321A	PHP048H1321A	PHP048H1331A
<b>Piping Components Con't</b>							
41	5	Valve Body Assembly		1	7436-351	7436-351	7436-351
42	5	Valve, Schraeder		2	6103-350	6103-350	6103-350
43	5	Cap Seal, 1/4 Flare		2	023-10745-000	023-10745-000	023-10745-000

<b>Electric Heat</b>							
<b>5 Kw</b>							
*	*	Terminal Block		1	025-39864-000	025-39864-000	---
*	*	Time Delay (1 Pole)		1	024-35338-000	024-35338-000	---
*	*	Thermostat, Open 120 / Close 100		1	025-39865-000	025-39865-000	---
*	*	Heater Kit Wiring Harness		1	025-39866-000	025-39866-000	---
<b>10 Kw</b>							
*	*	Terminal Block		1	025-39864-000	025-39864-000	---
*	*	Time Delay (2 Pole)		1	024-35339-000	024-35339-000	---
*	*	Thermostat, Open 130 / Close 100		2	025-39867-000	025-39867-000	---
*	*	Heater Kit Wiring Harness		1	025-39863-001	---	---
<b>15 Kw</b>							
*	*	Circuit Breaker (2 Pole 60 Amp)		2	---	024-35340-000	---
*	*	Time Delay (3 Pole W/Jumper Wire)		1	024-35341-000	024-35341-000	---
*	*	Thermostat, Open 145 / Close 115		3	025-39869-000	025-39869-000	---
*	*	Heater Kit Wiring Harness		1	025-39870-000	025-39870-000	---

<b>Fabricated Parts</b>							
44	6	Base Rail, Front		1	073-23807-001	073-23807-001	073-23807-001
45	7	Base Rail, Back		1	073-23807-003	073-23807-003	073-23807-003
46	7	Base Rail, Side		2	073-23807-005	073-23807-005	073-23807-005
47	7	Bracket, Base Rail		4	073-23807-007	073-23807-007	073-23807-007
48	6	Base Pan		1	073-23808-002	073-23808-002	073-23808-002
49	6	Panel, Control Box		1	073-23809-002	073-23809-002	073-23809-002
50	7	Panel Assembly, Left		1	073-23809-005	073-23809-005	073-23809-005
51	6	Panel, Corner		1	073-23809-008	073-23809-008	073-23809-008
52	7	Panel Assembly, Rear		1	373-23809-014	373-23809-014	373-23809-014
53	6	Panel, Right Side		1	073-23809-011	073-23809-011	073-23809-011
54	7	Duct Flange		2	073-23812-002	073-23812-002	073-23812-002
55	6	Corner Post		1	073-23826-003	073-23826-003	073-23826-003
56	7	Corner Post, 32"		1	073-23810-006	073-23810-006	073-23810-006

<b>Drain Pan and Accessories</b>							
57	8	Drain Pan		1	7430-300-21	7430-300-21	7430-300-21
58	8	Drain Pan Tube		1	028-15459-000	028-15459-000	028-15459-000
59	8	Drain Fitting		1	7430-3011	7430-3011	7430-3011
60	8	Drain Elbow		1	1218-3531	1218-3531	1218-3531
61	8	Drain Tube		1	7430-3031	7430-3031	7430-3031

<b>Coil Guard</b>							
62	7	Coil Guard		1	373-23811-002	373-23811-002	373-23811-002
63	7	Coil Guard, Plastic Mesh		1	028-15458-000	028-15458-000	028-15458-000
64	7*	Fastener, Push-in		4	021-18381-000	021-18381-000	021-18381-000

**NOTE: \*Not Shown**New replacement parts shown in **bold** face type at the first printing of parts list dated 11/07.

" &lt; " across from row indicates a change in that row.

"----" indicates not applicable to specified model.

Unitary Products Group

Item	Figure	Description	Elect Code	Qty	PHP060H1321A	PHP060H1331A	PHP060H1341A
<b>Compressor</b>							
1	5	Compressor, H23R513ABCA		1	015-03718-004	---	---
	5	Compressor, H23R513DBDA		1	---	015-03719-004	---
	5	Compressor, H23R513DBEA		1	---	---	015-03720-004
1A	5*	Harness, Compressor		1	025-31885-000	025-31885-000	025-31885-000
2	5	Cushion Mount		4	9435-1081	9435-1081	9435-1081
3	5	Bolt Assembly		4	1048-0033	1048-0033	1048-0033

<b>Condenser Fan Motor &amp; Air Moving Components</b>							
4	2	Motor, Fan, 1/3HP 230V		1	024-35342-000	024-35342-000	---
	2	Motor, Fan, 1/3HP 460V		1	---	---	024-35343-000
5	2	Fan, Prop,22", 4 Blade, 31° Pitch		1	026-42270-000	026-42270-000	026-42270-000
6	2	Guard, Fan		1	026-33381-001	026-33381-001	026-33381-001
7	2	Wireway, 24"		1	028-13297-000	028-13297-000	028-13297-000
8	2	Roof, Condenser		1	373-23806-002	373-23806-002	373-23806-002
10	2	Kit, Acorn Nuts		1	363-90117-700	363-90117-700	363-90117-700

<b>Indoor Blower Motor &amp; Air Moving Components</b>							
11	4	Motor, Blower, 1HP X-13		1	024-35327-003	024-35327-003	024-35327-003
12	4	Wheel		1	026-19654-012	026-19654-012	026-19654-012
13	4*	Tube, Isolator		3	028-09412-001	028-09412-001	028-09412-001
13A	4*	Washer, Isolator		3	028-09412-002	028-09412-002	028-09412-002
13B	4*	Sleeve, Isolator		3	028-14782-000	028-14782-000	028-14782-000
15	4	Housing, Blower		1	373-23806-011	373-23806-011	373-23806-011
15A	4*	Cut Off		1	073-23812-001	073-23812-001	073-23812-001
16	4	Clamp Assembly		1	026-31459-000	026-31459-000	026-31459-000

<b>Electric Box</b>							
17	4	Capacitor, Run 10.0 MFD, 370V	RC1	1	---	024-20046-000	024-20046-000
	4	Capacitor, Run 70/5 MFD, 370V	RC1	1	024-27616-000	---	---
18	4	Transformer, 240/24 VAC 40 VA	T1	1	3300-3861	3300-3861	---
19	4	Transformer, 480V/24V 75 VA	T2	1	---	---	025-30377-000
20	4	Contact, Elec., 3 Pole, 30 Amp 24V	M1	1	---	024-25842-000	024-25842-000
	4	Contact, Elec., 1 Pole, 40 Amp 24V	M1	1	024-25837-000	---	---
22	4	Lug, Electrical	GND	1	025-21798-000	025-21798-000	025-21798-000
23	5	New replacement parts shown in <b>bold</b> face	DS-C	1	031-01276-000	031-01276-000	031-01276-000
24	5	Sensor, Temperature, Ambient	DS-A	1	025-38584-000	025-38584-000	025-38584-000
25	4	Control Board, Defrost		1	031-01975-000	031-01975-000	031-01975-000
26	4	Fuse holder, 30 AMP 600 V MAX		2	---	---	025-17407-000
27	4	Fuse 5 AMP 600V	F1	1	---	---	025-37395-000
28	4*	Fuse 5 AMP 600V	F2	1	---	---	025-37395-000

<b>Evaporator Coil</b>							
29	5	Coil, Evaporator		1	373-23813-006	373-23813-006	373-23813-006
30	5*	Valve, Distributor, 10 Tube, #93		1	025-39863-006	025-39863-006	025-39863-006
30A	5*	Orifice, Refrigerant, #93		1	029-24464-000	029-24464-000	029-24464-000

<b>Condenser Coil</b>							
32	5	Coil, Condenser		1	373-23813-016	373-23813-016	373-23813-016
33	5	Valve, Distributor, 8 Tube		1	373-23815-001	373-23815-001	373-23815-001

<b>Piping Components</b>							
35	5	Filter Drier		1	026-25512-000	026-25512-000	026-25512-000
36	5	Valve, TXV		1	025-38756-011	025-38756-011	025-38756-011
37	5*	Reversing Valve	RVS	1	025-38947-000	025-38947-000	025-38947-000
38	5	Switch, High Pressure	HP	1	025-33305-048	025-33305-048	025-33305-048
40	5	Accumulator		1	026-25573-008	026-25573-008	026-25573-008

**NOTE:** \*Not Shown

New replacement parts shown in **bold** face type at the first printing of parts list dated 11/07.

Major components and suggested stocking items are shown with shaded item number.

"<" across from row indicates a change in that row.

"---" indicates not applicable to specified model.

Item	Figure	Description	Elect Code	Qty	PHP060H1321A	PHP060H1331A	PHP060H1341A
<b>Piping Components Con't</b>							
41	5	Valve Body Assembly		1	7436-351	7436-351	7436-351
42	5	Valve, Schraeder		2	6103-350	6103-350	6103-350
43	5	Cap Seal, 1/4 Flare		2	023-10745-000	023-10745-000	023-10745-000

<b>Electric Heat</b>							
<b>5 Kw</b>							
*	*	Terminal Block		1	025-39864-000	---	---
*	*	Time Delay (1 Pole)		1	024-35338-000	---	---
*	*	Thermostat, Open 120 / Close 100		1	025-39865-000	---	---
*	*	Heater Kit Wiring Harness		1	025-39866-000	---	---
<b>10 Kw</b>							
*	*	Terminal Block		1	025-39864-000	---	---
*	*	Time Delay (2 Pole)		1	024-35339-000	---	---
*	*	Thermostat, Open 130 / Close 100		2	025-39867-000	---	---
*	*	Heater Kit Wiring Harness		1	025-39868-000	---	---
<b>15 Kw</b>							
*	*	Circuit Breaker (2 Pole 60 Amp)		2	024-35340-000	---	---
*	*	Time Delay (3 Pole W/Jumper Wire)		1	024-35341-000	---	---
*	*	Thermostat, Open 145 / Close 115		3	025-39869-000	---	---
*	*	Heater Kit Wiring Harness		1	025-39870-000	---	---

<b>Fabricated Parts</b>							
44	6	Base Rail, Front		1	073-23807-001	073-23807-001	073-23807-001
45	7	Base Rail, Back		1	073-23807-003	073-23807-003	073-23807-003
46	7	Base Rail, Side		2	073-23807-005	073-23807-005	073-23807-005
47	7	Bracket, Base Rail		4	073-23807-007	073-23807-007	073-23807-007
48	6	Base Pan		1	073-23808-002	073-23808-002	073-23808-002
49	6	Panel, Control Box		1	073-23809-002	073-23809-002	073-23809-002
50	7	Panel Assembly, Left		1	073-23809-005	073-23809-005	073-23809-005
51	6	Panel, Corner		1	073-23809-008	073-23809-008	073-23809-008
52	7	Panel Assembly, Rear		1	373-23809-014	373-23809-014	373-23809-014
53	6	Panel, Right Side		1	073-23809-011	073-23809-011	073-23809-011
54	7	Duct Flange		2	073-23812-002	073-23812-002	073-23812-002
55	6	Corner Post		1	073-23826-003	073-23826-003	073-23826-003
56	7	Corner Post, 32"		1	073-23810-006	073-23810-006	073-23810-006

<b>Drain Pan and Accessories</b>							
57	8	Drain Pan		1	7430-300-21	7430-300-21	7430-300-21
58	8	Drain Pan Tube		1	028-15459-000	028-15459-000	028-15459-000
59	8	Drain Fitting		1	7430-3011	7430-3011	7430-3011
60	8	Drain Elbow		1	1218-3531	1218-3531	1218-3531
61	8	Drain Tube		1	7430-3031	7430-3031	7430-3031

<b>Coil Guard</b>							
62	7	Coil Guard		1	373-23811-002	373-23811-002	373-23811-002
63	7	Coil Guard, Plastic Mesh		1	028-15458-000	028-15458-000	028-15458-000
64	7*	Fastener, Push-in		4	021-18381-000	021-18381-000	021-18381-000

**NOTE:** \*Not Shown

New replacement parts shown in **bold** face type at the first printing of parts list dated 11/07.

Major components and suggested stocking items are shown with shaded item number.

"<" across from row indicates a change in that row.

"---" indicates not applicable to specified model.

**TO ORDER AUTHORIZED FACTORY REPLACEMENT PARTS** - Contact your Source 1 HVAC Parts Distributor or visit our website at [www.Source1Parts.com](http://www.Source1Parts.com) for a Distributor and Dealer listing

Subject to change without notice. Printed in U.S.A.

Copyright © by York International Corp. 2007 All rights reserved.

035-21138-001 Rev. D (1107)

Supersedes: 035-21138-001 Rev. C (1007)

**Unitary  
Products  
Group**

**5005  
York  
Drive**

**Norman  
OK  
73069**