



www.Source1Parts.com

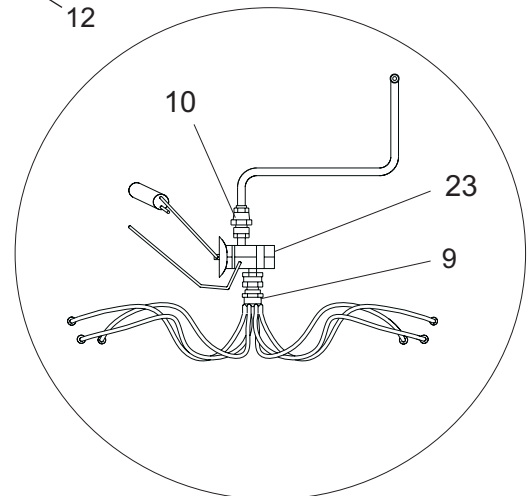
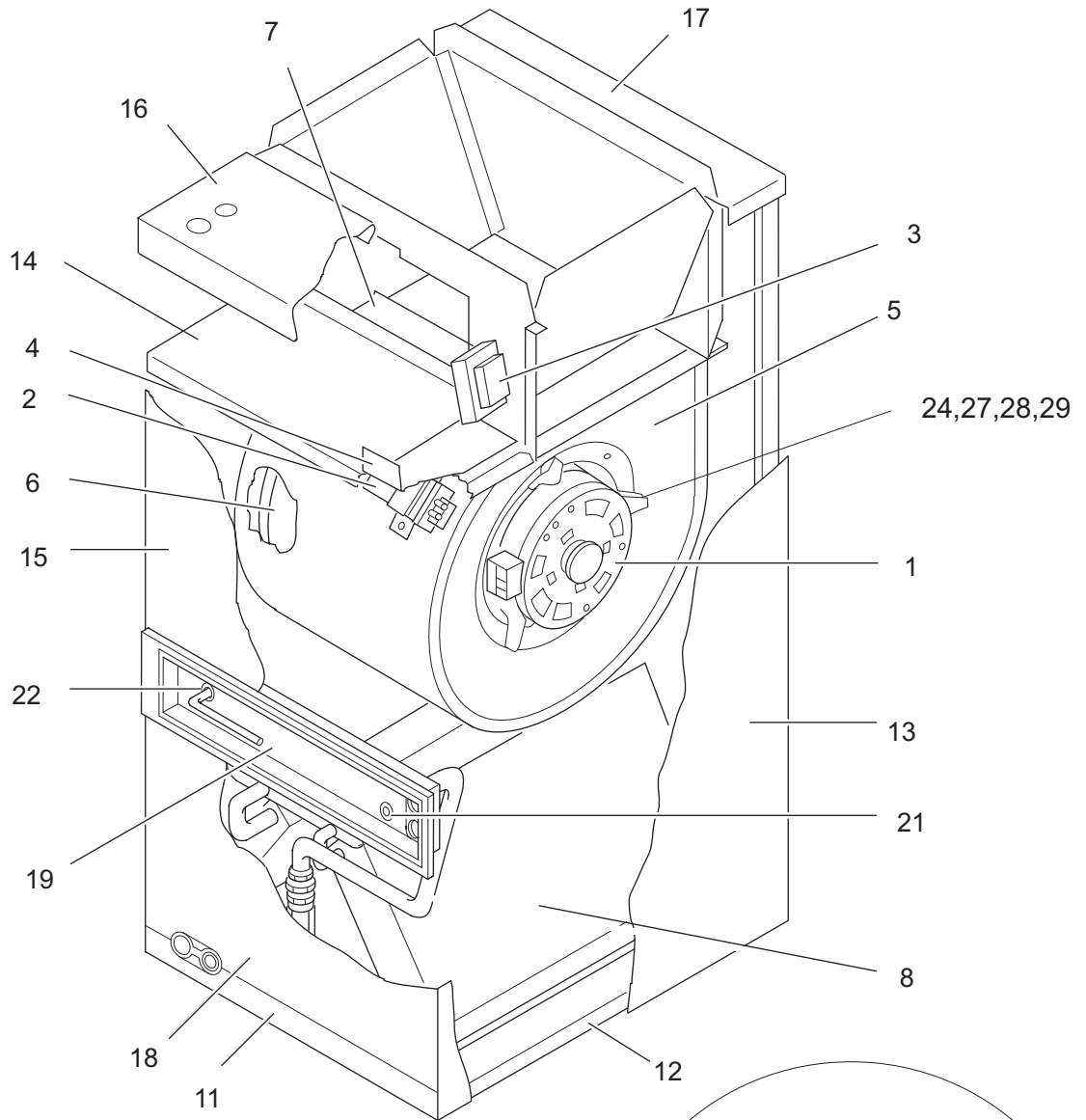
HVAC SERVICE PARTS

# F4FP SERIES FAN COIL UNIT W/TXV (STYLE A)

Supersedes:035-21132-001 Rev. B (0806)

035-21132-001 Rev. C (0507)

1 of 4



ITEM	DESCRIPTION	<b>F4FP024H06T2AA</b> <b>F4FP024H06T2BA</b>	F4FP030H06T2AA	F4FP036H06T2AA	<b>F4FP040H06T2AA</b> <b>F4FP040H06T2CA</b>
1	Motor, Direct Drive Blower	S1-02425982000	S1-02426086000	S1-02426087000	S1-02426086000
2	Capacitor (10MFD)	S1-02420046000	S1-02420046000	S1-02420046000	S1-02420046000
3	Transformer (40VA)	S1-02518452000	S1-02518452000	S1-02518452000	S1-02518452000
4	Module, Control	S1-03101264002	S1-03101264002	S1-03101264002	S1-03101264002
5	Housing, Blower	S1-37323861001	S1-37319707200	S1-37319707200	S1-37319707200
6	Wheel, Blower	S1-02634004000	S1-02634005000	S1-02634005000	S1-02634005000
7	Cutoff, Blower	S1-07314495000	S1-07314494000	S1-07314494000	S1-07314494000
8	Complete Coil w/Drain Pan (2A)	S1-37323848001	S1-37323848003	S1-37323848004	S1-37323848005
	Complete Coil w/Drain Pan (2B)	S1-37323848002	---	---	---
	Complete Coil w/Drain Pan (2C)	---	---	---	S1-37323848006
9	Distributor	S1-02209087000	S1-02209083000	S1-02209083000	S1-02209083000
10	Connector, Field	S1-02531890001	S1-02531890001	S1-02531890001	S1-02531890001
11	Door, Filter	S1-07320960000	S1-07320960000	S1-07320961000	S1-07320961000
12	Pan, Drain	S1-03200172001	S1-03200172001	S1-03200173001	S1-03200173001
13	Wrapper	S1-37320995004	S1-37320995004	S1-37320995005	S1-37320995005
14	Panel, Control	S1-07317920000	S1-07317920000	S1-07322087000	S1-07322087000
15	Panel, Door (Top)	S1-37315383004	S1-37315383004	S1-37315383005	S1-37315383005
16	Panel, Front Top	S1-37315422004	S1-37315422004	S1-37315422005	S1-37315422005
17	Panel, Rear Top	S1-37315421004	S1-37315421004	S1-37315421005	S1-37315421005
18	Panel, Bottom (Front)	S1-37315384004	S1-37315384004	S1-37315384005	S1-37315384005
19	Panel, Recessed	S1-03200148004	S1-03200148004	S1-03200148005	S1-03200148005
20*	Plate, Circuit Breaker	S1-03200161000	S1-03200161000	S1-03200161000	S1-03200161000
21	Grommet, 3/8"	S1-02813202000	S1-02813202000	S1-02813202000	S1-02813202000
22	Grommet, 5/8"	S1-02813203000	---	---	---
	Grommet, 3/4"	---	S1-02813204000	S1-02813204000	---
	Grommet, 7/8"	---	---	---	S1-02813205000
23	TXV (2A)	S1-1TVM2A1	S1-1TVM2A1	S1-1TVM2A1	S1-1TVM2A1
	TXV (2B)	S1-1TVM2B1	---	---	---
	TXV (2C)	---	---	---	S1-1TVM2C1
24	Motor Mount	S1-07319831001	S1-07319831001	S1-07319831001	S1-07319831001
25*	Diagram, Wiring	035-14500-000	035-14500-000	035-14500-000	035-14500-000
26*	Pan, Horizontal Drain	S1-03200175001	S1-03200175001	S1-03200175001	S1-03200175001
27	Tube, Isolator (3 Req'd)	---	---	---	---
28	Grommet, Motor Mount (3 Req'd)	S1-02814740000	S1-02814740000	S1-02814740000	S1-02814740000
29	Ferrule, Motor Mount (3 Req'd)	S1-02320541000	S1-02320541000	S1-02320541000	S1-02320541000
30*	Stand-off, Plastic	S1-02813201000	S1-02813201000	S1-02813201000	S1-02813201000
31*	Harness, Power	S1-37315424001	S1-37315424001	S1-37315424001	S1-37315424001
32*	Harness, Low Volt Plug (Jumper)	S1-37315425001	S1-37315425001	S1-37315425001	S1-37315425001

<  
<  
<

**NOTE:** \*Not Shown  
 New replacement parts shown in **bold** face type at the first printing of parts list dated 5/07.  
 Major components and suggested stocking items are shown with shaded item number.  
 “<” Across from row indicates a change in that row.  
 --- Not applicable to specified model.



ITEM	DESCRIPTION	<b>F4FP042H06T2AA</b> <b>F4FP042H06T2CA</b>	F4FP045H06T2CA	F4FP048H06T2CA	F4FP060H06T2CA
1	Motor, Direct Drive Blower	S1-02425985000	S1-02427607000	S1-02426043000	S1-02426044000
2	Capacitor (10MFD)	---	S1-02420046000	---	---
	Capacitor (12.5MFD)	S1-02425899000	---	---	---
	Capacitor (15MFD)	---	---	S1-02425900000	S1-02425900000
3	Transformer	S1-02518452000	S1-02518452000	S1-02518452000	S1-02518452000
4	Module, Control	S1-03101264002	S1-03101264002	S1-03101264002	S1-03101264002
5	Housing, Blower	S1-37319707200	S1-37318075014	S1-37318075003	S1-37318075003
6	Wheel, Blower	S1-02634005000	S1-02635471000	S1-02634501000	S1-02634501000
7	Cutoff, Blower	S1-07314494000	S1-07315745000	S1-07315745000	S1-07315745000
8	Complete Coil w/Drain Pan (2A)	S1-37323848007	---	---	---
	Complete Coil w/Drain Pan (2C)	S1-37323848008	S1-37323848009	S1-37323848010	S1-37323848009
9	Distributor	S1-02209083000	S1-02540999000	S1-02209084000	S1-02540999000
10	Connector, Field	S1-02531890001	S1-02531890001	S1-02531890001	S1-02531890001
11	Door, Filter	S1-07320961000	S1-07320962000	S1-07320962000	S1-07320962000
12	Pan, Drain	S1-03200173001	S1-03200170001	S1-03200170001	S1-03200170001
13	Wrapper	S1-37320995005	S1-37320996016	S1-37320996016	S1-37320996016
14	Panel, Control	S1-07322087000	S1-07318369000	S1-07318369000	S1-07318369000
15	Panel, Door (Top)	S1-37315383005	S1-37318081001	S1-37318081001	S1-37318081001
16	Panel, Front Top	S1-37315422005	S1-37315422016	S1-37315422016	S1-37315422016
17	Panel, Rear Top	S1-37315421005	S1-37315421016	S1-37315421016	S1-37315421016
18	Panel, Bottom (Front)	S1-37315384005	S1-37316621002	S1-37316621002	S1-37316621002
19	Panel, Recessed	S1-03200148005	S1-03200148006	S1-03200148006	S1-03200148006
20*	Plate, Circuit Breaker	S1-03200161000	S1-03200158000	S1-03200158000	S1-03200158000
21	Grommet, 3/8"	S1-02813202000	S1-02813202000	S1-02813202000	S1-02813202000
22	Grommet, 7/8"	S1-02813205000	S1-02813205000	S1-02813205000	S1-02813205000
23	TXV (2A)	S1-1TVM2A1	---	---	---
	TXV (2C)	S1-1TVM2C1	S1-1TVM2C1	S1-1TVM2C1	S1-1TVM2C1
24	Mount, Motor	S1-07319831001	S1-02631480000	S1-02631459000	S1-02631459000
25*	Diagram, Wiring	035-14500-000	035-14500-000	035-14500-000	035-14500-000
26*	Pan, Horizontal Drain	S1-03200175001	S1-03200176001	S1-03200176001	S1-03200176001
27	Tube, Isolator (3 Req'd)	---	S1-02809412001	S1-02809412001	S1-02809412001
28	Washer, Isolator (3 Req'd)	---	S1-02809412002	S1-02809412002	S1-02809412002
	Grommet, Motor Mount(3 Req'd)	S1-02814740000	---	---	---
29	Sleeve, Isolator (3 Req'd)	---	S1-02814782000	S1-02814782000	S1-02814782000
	Ferrule, Motor Mount (3 Req'd)	S1-02320541000	---	---	---
30*	Stand-off, Plastic	S1-02813201000	S1-02813201000	S1-02813201000	S1-02813201000
31*	Harness, Power	S1-37315424001	S1-37315424001	S1-37315424001	S1-37315424001
32*	Harness, Low Volt Plug (Jumper)	S1-37315425001	S1-37315425001	S1-37315425001	S1-37315425001

<  
<**NOTE:** \*Not ShownNew replacement parts shown in **bold** face type at the first printing of parts list dated 5/07.

Major components and suggested stocking items are shown with shaded item number.

"←" Across from row indicates a change in that row.

--- Not applicable to specified model.

**TO ORDER AUTHORIZED FACTORY REPLACEMENT PARTS** - Contact your Source1 HVAC Parts Distributor or visit our website at [www.Source1Parts.com](http://www.Source1Parts.com) for a Distributor and Dealer listing.