



www.Source1Parts.com

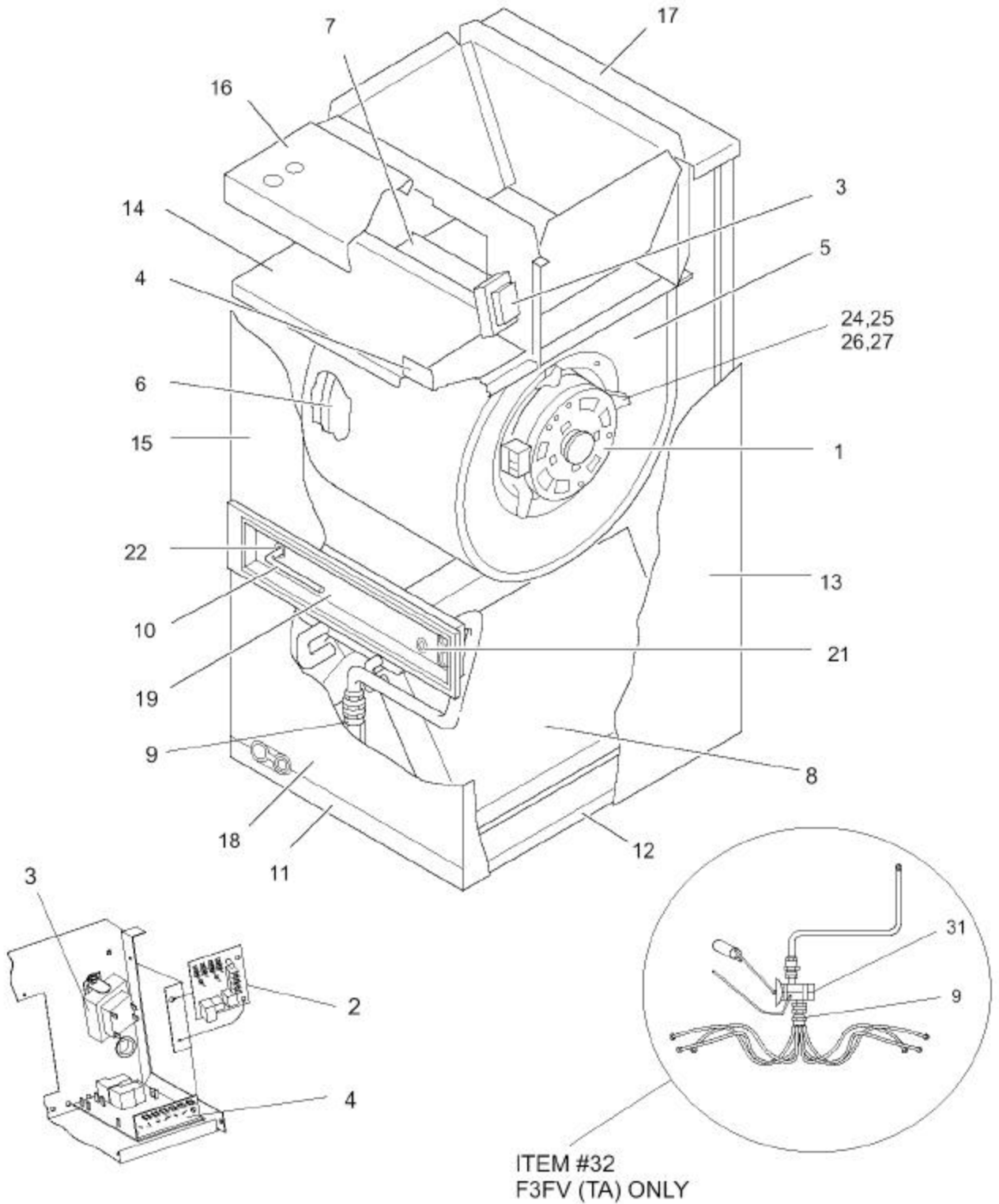
F2FV (G), F3FV (TG) VARIABLE SPEED FAN COIL UNIT

HVAC SERVICE PARTS

Supersedes:Nothing

035-20341-001 Rev. A (0404)

1 of 4



Model 60

ITEM	DESCRIPTION	F2FV060H06G	F3FV060H06TG	<
1	Motor, Direct Drive Blower (Programmed)	024-31941-004	024-31941-004	
2	CFM Selection Board	031-01958-000	031-01958-000	
3	Transformer (40VA)	025-18452-000	025-18452-000	
4	Module, Heat Control	031-01264-002	031-01264-002	
5	Housing, Blower	373-18075-003	373-18075-003	
6	Wheel, Blower	026-34501-000	026-34501-000	
7	Plate, Cutoff (Blower)	073-15745-000	073-15745-000	
8	Coil , Evaporator (Complete Coil w/Drain Pan)	373-18115-002	373-18115-102	
9	Distributor w/Orifice	025-31938-090	025-31938-090	
10	Header Assembly	373-17563-001	373-17563-101	
11	Door, Filter	073-20962-000	073-20962-000	
12	Pan, Drain	032-00170-001	032-00170-001	
13	Wrapper (Insulated)	373-20996-016	373-20996-016	
14	Panel, Control	073-18369-000	073-18369-000	
15	Panel, Door (Top)	373-18081-001	373-18081-001	
16	Panel, Front Top	373-15422-016	373-15422-016	
17	Panel, Rear Top	373-15421-016	373-15421-016	
18	Panel, Bottom	373-16621-002	373-16621-002	
19	Panel, Recessed	032-00148-006	032-00148-006	
20*	Plate, Circuit Breaker	032-00158-000	032-00158-000	
21	Grommet, 3/8"	028-13202-000	028-13202-000	
22	Grommet, 7/8"	028-13205-000	028-13205-000	
23*	Diagram, Wiring	035-14501-000	035-14501-000	
24	Motor Mount	026-31459-000	026-31459-000	
25	Tube, Isolator (3 Req'd)	028-09412-001	028-09412-001	
26	Washer, Isolator (3 Req'd)	028-09412-002	028-09412-002	
27	Sleeve, Isolator (3 Req'd)	028-14782-000	028-14782-000	
28*	Pan, Horizontal Drain	032-00176-000	032-00176-000	
29*	Cap, Knurled Valve	023-10745-000	023-10745-000	
30*	Standoff, Plastic	028-13201-000	028-13201-000	
31	Valve, TXV	---	025-31990-000	
32	Distributor Assembly w/TXV	---	373-19721-001	
33*	Harness, Wiring (16 Pin)	373-18236-001	373-18236-001	
34*	Harness, Power (4 Pin)	373-15424-001	373-15424-001	
35*	Harness, Low Volt Plug (Jumper)	373-15425-001	373-15425-001	
36*	Harness, Wiring (6 Pin)	373-18237-001	373-18237-001	
37*	Harness, Power (5 Pin)	373-18235-001	373-18235-001	

NOTE: *Not Shown

New replacement parts shown in **bold** face type at the first printing of parts list dated 4/04.
Major components and suggested stocking items are shown with shaded item number.

"<" Across from row indicates a change in that row.

--- Not applicable to specified model.

***Heat Kit Service Parts:**

ITEM	DESCRIPTION	7.5 KW	7.5 KW	10 KW	10 KW
		W/O Breaker 2HK06500806B	W/Breaker 2HK16500806B	W/O Breaker 2HK06501006B	W/Breaker 2HK16501006B
1	Block, Terminal (1 Req'd)	025-29125-000	---	025-29125-000	---
2	Element, Heating (1 Req'd)	025-30875-000	025-30876-000	025-30877-000	025-33327-000
3	Control, Temperature	025-32606-000	025-32606-000	025-32606-000	025-32606-000
4	Breaker, Circuit (45A) Breaker, Circuit (60A)	---	024-25298-004 ---	---	---
5	Relay, Electrical	024-25986-000	024-25986-000	024-25986-000	024-25986-000

ITEM	DESCRIPTION	15 KW	18 KW	20 KW	25 KW
		W/Breaker 2HK16501506B	W/Breaker 2HK16501806B	W/Breaker 2HK16502006B	W/Breaker 2HK16502506B
1	Element, Heating (1 Req'd)	025-33328-000	025-33473-000	025-30880-000	025-30881-000
2	Control, Temperature	025-32606-000	025-32606-000	025-32606-000	025-32606-000
3	Breaker, Circuit (30A, 1 Req'd) Breaker, Circuit (45A, 3 Req'd)	024-25298-002 ---	---	---	024-25298-002 ---
4	Breaker, Circuit (60A, 1 Req'd) Breaker, Circuit (60A, 2 Req'd)	024-25298-003 ---	---	---	---
5	Jumper Bar	025-30891-000	024-26053-000	025-30891-000	025-326053-000
6	Cover, 4 Pole Cover, 6 Pole	032-00006-700 ---	---	032-00006-700 ---	---
7	Relay, Electrical (2 Req'd) Relay, Electrical (3 Req'd) Relay, Electrical (4 Req'd)	024-25986-000 ---	024-27588-000 ---	---	---
8	Lug, Electrical (Ground), (1 Req'd) Lug, Electrical (Ground), (2 Req'd)	025-21798-000 ---	-- 025-21798-000	025-21798-000 ---	---

NOTE: *Not ShownNew replacement parts shown in **bold** face type at the first printing of parts list dated 4/04.

Major components and suggested stocking items are shown with shaded item number.

"←" Across from row indicates a change in that row.

--- Not applicable to specified model.



TO ORDER AUTHORIZED FACTORY REPLACEMENT PARTS - Contact your Source1 HVAC Parts Distributor or visit our website at www.Source1Parts.com for a Distributor and Dealer listing.

This document Appends: 035-17731-002 Rev. A (0902).

Subject to change without notice. Printed in U.S.A.
Copyright © by York International Corp. 2004. All rights reserved.

035-20341-001 Rev. A (0404)
Supersedes: Nothing

**Unitary
Products
Group**

**5005
York
Drive**

**Norman
OK
73069**