

INSTALLATION INSTRUCTIONS

FIELD INSTALLED BAROMETRIC RELIEF ACCESSORY MODEL 1EH0408

FOR 6.5 THRU 12.5 TON SINGLE PACKAGE EQUIPMENT HORIZONTAL APPLICATION WITH / WITHOUT POWER EXHAUST

Step 1:

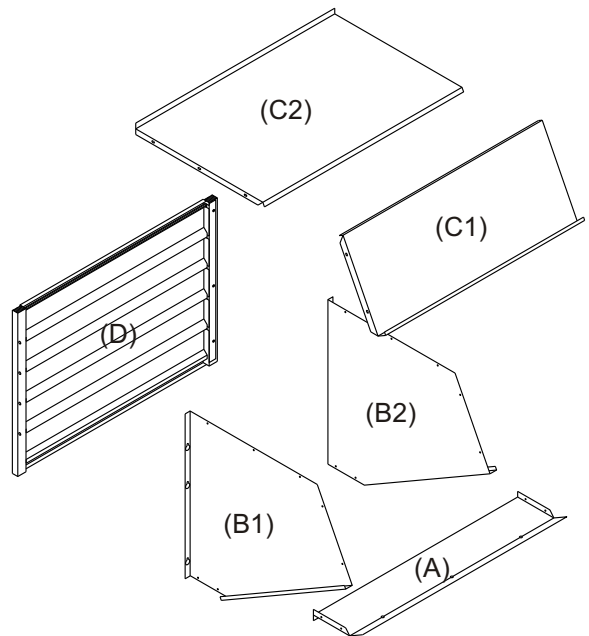
Verify all unit parts in box.

- a. 1 ea. - Hood Package
 - 1 ea. - Hood Bottom (A)
 - 2 ea. - Hood Sides (B1 & B2)
 - 1 ea. - Hood Top 1 (C1)
 - 1 ea. - Hood Top 2 (C2)
 - 1 ea. - Barometric Damper (D)
 - 1 ea. - Hardware Bag:
 - 20 ea. - Type A #10 - 16 x 1/2 Screws
 - 18 ea. - #8 Tinnerman Clips
 - 5 ft. - 1/8 x 1/2 Gasket
 - 11 ft. - 1/8 x 3/4 Gasket



Note:

Tinnerman clips have been supplied in case holes in the side flanges of the unit's rear panel have been stripped.



Step 2:

To assemble the Barometric Relief Hood the following will be needed.

- 20 ea. - Type A #10 - 16 x 1/2 screws
- 11 ft. - 1/8 x 3/4 gasket

Follow these steps:

1. Take (A and B1) put the flange of (A) to the inside of (B1) and screw in place.
2. Take (B2) and screw in place like step 1.
3. Take (C1) and place flanges over (B1 and B2) and secure.
4. Take (C2) and do the same as step 3.
5. Take 1/8 x 3/4 gasket and place around perimeter of (D) to seal between damper section and hood.
6. Take (D) and slide inside of (B1 and B2) and secure.

