

FIG. 1 - OUTSIDE AIR HOOD

| FIG. | ITEM | STYLE | DESCRIPTION | 2EE04703324 |
|------|------|-------|------------------------------|---------------|
| 1 | 1 | | TOP, HOOD | 026-38518-000 |
| 1 | 2 | | PANEL, FILTER ACCESS | 026-38519-000 |
| 1 | 3 | | PANEL, RIGHT | 026-38521-000 |
| 1 | 4 | | PANEL, LEFT | 026-38522-000 |
| 1 | 5 | | FILTER CHANNEL (2 per Assy.) | 026-38520-000 |
| 1 | 6 | | ANGLE | 026-38525-000 |
| 1 | 7 | | BOTTOM, HOOD | 026-38523-000 |
| 1 | 8 | | FILTER (MIST ELIMINATOR) | 026-38061-000 |

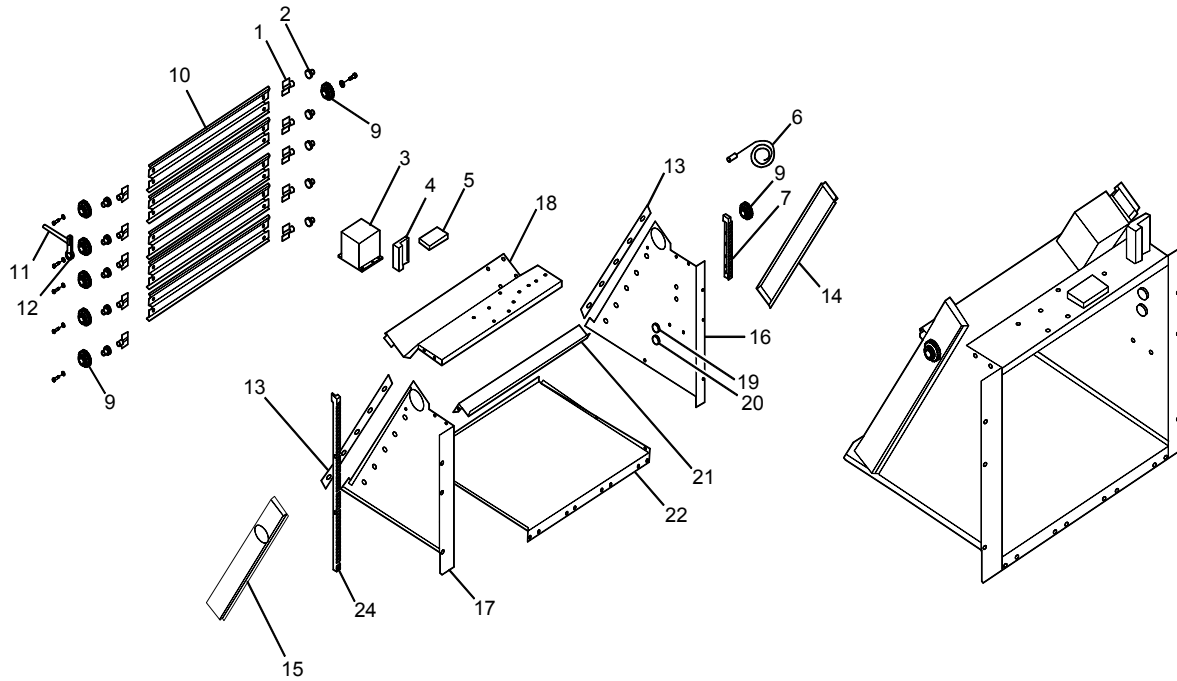


FIG. 2 - OUTSIDE AIR DAMPER

| FIG. | ITEM | STYLE | DESCRIPTION | 2EE04703324 |
|------|------|-------|-----------------------------------|---------------|
| 2 | 1 | | GEAR, PIVOT (10 per Assy) | 026-38524-000 |
| 2 | 2 | | BUSHING (10 per Assy) | 026-38525-000 |
| 2 | 3 | | MOTOR, ACTUATOR | 026-38526-000 |
| 2 | 4 | | LOGIC MODULE | 026-38507-000 |
| 2 | 5 | | SENSOR, ENTHALPY | 026-38527-000 |
| 2 | 6 | | SENSOR, DISCHARGE AIR (MIXED AIR) | 026-38529-000 |
| 2 | 7 | | GEAR RACK, LEFT (1 Piece) | 026-38538-000 |
| 2 | 8 | | GEAR RACK, RIGHT (3 Pieces) | 026-38538-000 |
| 2 | 9 | | GEAR (7 per Assy) | 026-38539-000 |
| 2 | 10 | | BLADE, DAMPER (5 per Assy) | 026-38542-000 |
| 2 | 11 | | ROD, DAMPER | 026-38541-000 |
| 2 | 12 | | CONTROL ARM W/BOLT JOINT | 026-38540-000 |
| 2 | 13 | | SEAL, DAMPER (2 per Assy) | 026-38543-000 |
| 2 | 14 | | COVER, DUST, LEFT | 026-38530-000 |
| 2 | 15 | | COVER, DUST, RIGHT | 026-38005-000 |
| 2 | 16 | | PANEL, LEFT | 026-38532-000 |
| 2 | 17 | | PANEL, RIGHT | 026-38533-000 |
| 2 | 18 | | PANEL, TOP | 026-38528-000 |
| 2 | 19 | | PLUG, SNAP | 026-38534-000 |
| 2 | 20 | | BUSHING, SNAP | 026-38535-000 |
| 2 | 21 | | PANEL, REAR | 026-38536-000 |
| 2 | 22 | | PANEL, BOTTOM | 026-38537-000 |

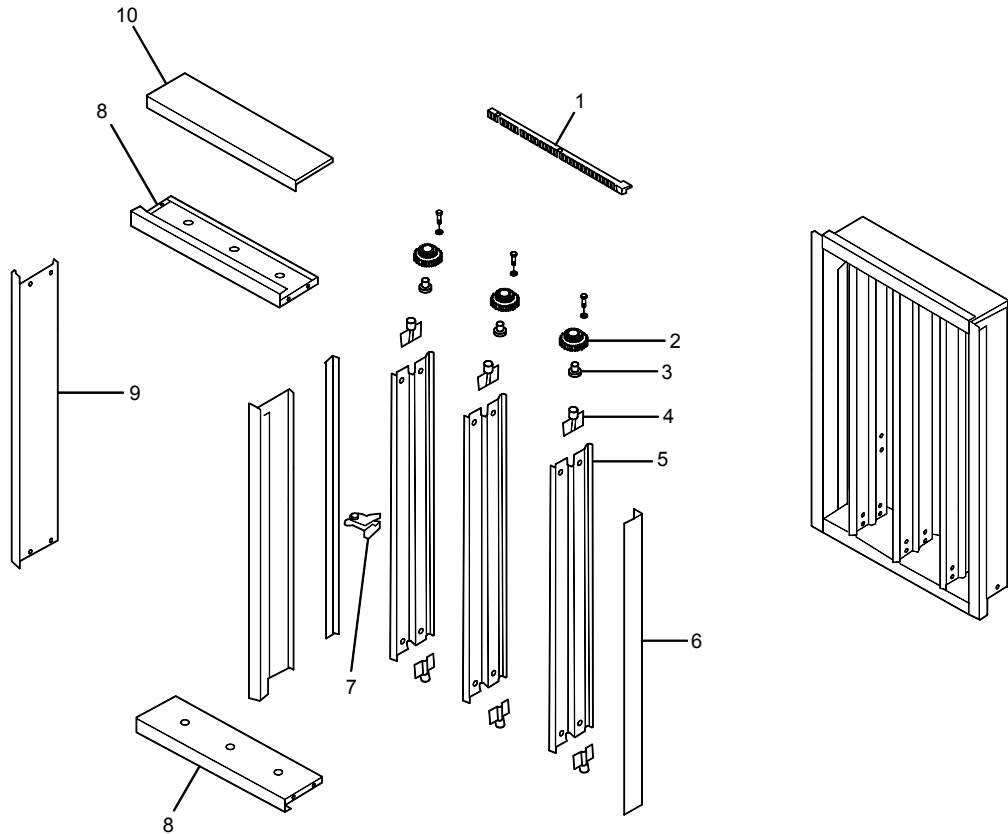


FIG. 3 - RETURN AIR HOOD

| FIG. | ITEM | STYLE | DESCRIPTION | 2EE04703324 |
|------|------|-------|------------------------------|---------------|
| 3 | 1 | | GEAR RACK | 026-38538-000 |
| 3 | 2 | | GEAR (SET OF 3) | 026-38539-000 |
| 3 | 3 | | BUSHING, SNAP (6 per Assy) | 026-38525-000 |
| 3 | 4 | | PIVOT, GEAR (6 per Assy) | 026-38524-000 |
| 3 | 5 | | BLADE, DAMPER (3 per Assy) | 026-38542-000 |
| 3 | 6 | | SEAL, DAMPER BLADE | 026-38548-000 |
| 3 | 7 | | BRACKET, DAMPER (7 per Assy) | 026-38549-000 |
| 3 | 8 | | PANEL, TOP/BOTTOM | 026-38545-000 |
| 3 | 9 | | PANEL, LEFT/RIGHT | 026-38550-000 |
| 3 | 10 | | COVER, DUST | 026-38544-000 |



Heating and Air Conditioning

Unitary Products Group
5005 York Drive, Norman Oklahoma USA 73069
Subject to change without notice. Printed in U.S.A.
Copyright © by York International Corporation 1999. All Rights Reserved.