



www.Source1Parts.com

HVAC SERVICE PARTS

P3DH SERIES DOWNFLOW/HORIZONTAL OIL FIRED FURNACE

Supersedes:035-18759-001 Rev. B (0903)

035-18759-001 Rev. C (1206)

1 of 4

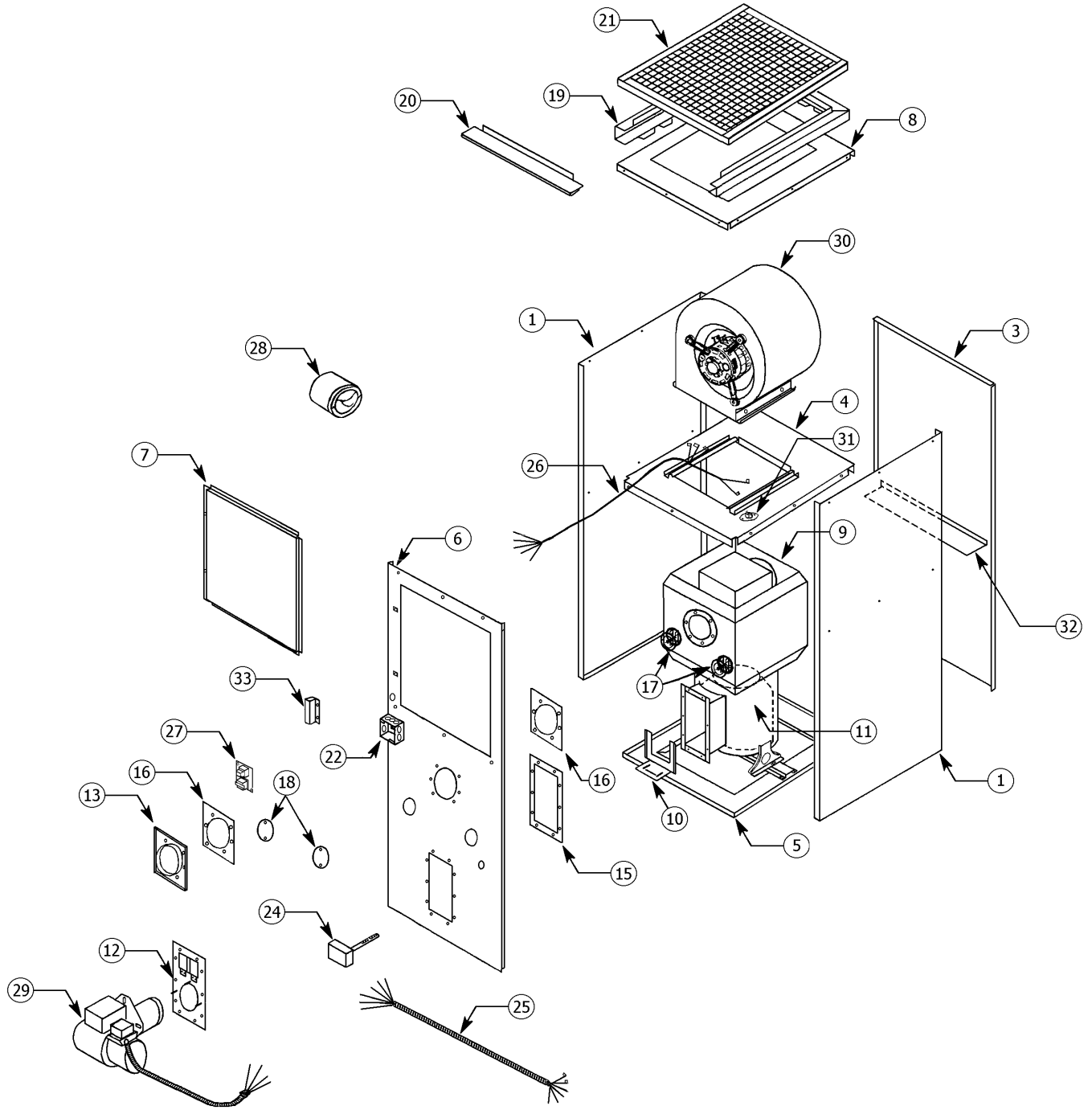


FIG	ITEM	DESCRIPTION	P3DHX12F08001A
1	1	Assembly, Right Side Panel	026-39360-000
1	1	Assembly, Left Side Panel	026-39360-000
	2		
1	3	Panel, Rear	026-39361-000
1	4	Assembly, Blower Division Panel	026-39362-000
1	5	Assembly, Base Panel	026-39363-000
1	6	Panel, Inner Front	026-39364-000
1	7	Door, Blower Access	026-39365-000
*	7A	Handle, Door	026-38694-000
*	7B	Bezel, Logo	026-35695-000
*	7C	Label, Logo	026-38696-000
1	8	Panel Assembly, Top	026-39366-000
1	9	Assembly, Heat Exchanger	026-38798-000
1	10	Bracket, Firepot Retainer	026-39133-000
1	11	Chamber, Replacement Combustion	028-13916-000
1	12	Assembly, Oil Burner Mounting Plate	026-35658-002
*	12A	Gasket, Inspection Door (Right)	028-13917-000
*	12B	Gasket, Inspection Door (Left)	028-13918-000
*	12C	Gasket, Inspection Door (Center)	028-13920-000
1	13	Assembly, Flue Collector	026-39130-000
	14		
1	15	Gasket, Pouch	028-13907-000
1	16	Gasket, Flue Pipe (2 Req'd)	028-13909-002
1	17	Assembly, Radiator Cleanout Cover (2 Req'd)	026-35656-000
*	17A	Gasket, Clean-out Cover (2 Req'd)	028-13908-000
1	18	Cover, Casing Clean-out (2 Req'd)	026-35645-002
1	19	Frame, Filter	026-38719-000
1	20	End Support, Filter Frame	026-38720-000
1	21	Filter, Air - 16 x 25 x 1 (Permanent)	026-35676-003
1	22	Box, Junction	026-39127-000
	23		
1	24	Control, Fan & Limit (set @ 250° F.)	026-38672-000
1	25	Harness, Fan & Limit Wire	026-39368-000
1	26	Blower Direct, Wire Harness	026-38792-000
1	27	Center, Fan	026-38667-000
*	27A	Relay, Replacement	026-38668-000
1	28	Regulator, Draft (5")	026-35659-002
1	29	Burner, Oil	026-39420-000
*	29A	Burner, Motor	026-38662-000
*	29B	Pump, Oil	026-38738-000
*	29C	Ignitor, Solid State	026-37418-000
*	29D	Control, Primary Combustion	026-38665-000
*	29E	Combination, Air Tube	026-39421-000
*	29F	Head, Flame Retention (FO)	026-37434-000
*	29G	Nozzle 0.65/ 60° A	026-39422-000

<

NOTE: *Not ShownNew replacement parts shown in **bold** face type at the first printing of parts list dated 12/06.

Major components and suggested stocking items are shown with shaded item number.

"←" Across from row indicates a change in that row.

--- Not applicable to specified model.

FIG	ITEM	DESCRIPTION	P3DHX12F08001A
1	30	Assembly, Blower (Complete)	026-39370-000
*	30A	Housing and Wheel, Blower	026-35652-006
*	30B	Wheel, Blower	026-38705-000
*	30C	Motor, Blower	024-27845-000
*	30D	Band, Motor Mount	026-38677-000
*	30E	Arms, Motor Mount (3 Req'd)	026-38679-000
*	30F	Capacitor, Run	024-31999-000
*	30G	Strap, Capacitor	026-38680-000
*	30H	Insulator, Capacitor	026-38683-000
*	30I	Side Rail, Blower (2 Req'd)	026-39371-000
*	30J	Bracket Blower Front	026-39372-000
1	31	Limit, Auxillary (160° F.)	025-33714-002
1	32	Baffle, Rear Panel	026-39161-000
1	33	Retainer Channel, Wire	026-39373-000

NOTE: *Not Shown

New replacement parts shown in **bold** face type at the first printing of parts list dated 9/03.

Major components and suggested stocking items are shown with shaded item number.

"<" Across from row indicates a change in that row.

--- Not applicable to specified model.

Non-Electrical Accessories	
Description	Part Number
Vestibule Kit	1VP1280A
Sub-Base Kit	1CB1312A

TO ORDER AUTHORIZED FACTORY REPLACEMENT PARTS - Contact your Source1 HVAC Parts Distributor or visit our website at www.Source1Parts.com for a Distributor and Dealer listing.