

# INSTALLATION INSTRUCTIONS

## FIELD INSTALLED HORIZONTAL ECONOMIZER ACCESSORY MODEL 2EE04706024

### FOR 3 THRU 12.5 TON SINGLE PACKAGE EQUIPMENT

#### General

The instruction provides all the necessary information to properly field install this economizer on the above indicated equipment.

Economizer Model 2EE04706024 has a single input solid state enthalpy sensor that provides automatic 100% outdoor air capability with 2% leakage.

Refer to the respective unit wiring diagram for information regarding electrical circuitry on the economizer.

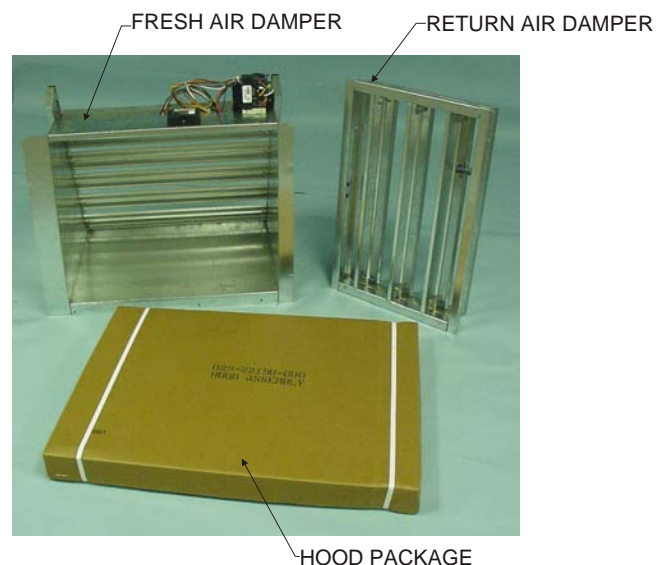
If a relief air damper for barometric air balance is required, part# 1EH0408 must be ordered separately and installed on the return air duct. Refer to Step 11 and 12 of this installation instructions.



#### Step 1:

Verify all unit parts in box.

- a. 1 ea. - Return Air Damper
- b. 1 ea. - Fresh Air Damper
- c. 1 ea. - Hood Package
  - 1 ea. - Fresh Air Hood
  - 1 ea. - 22" x 30 1/8" x 1" Mist Eliminator Filter
  - 1 ea. - Hardware Bag:
    - 21 ea. - Type A #10 - 16 x 1/2 Screws
    - 4 ea. - Self tapping #10 - 16 x 1/2 Screws
    - 18 ea. - #8 Tinnerman Clips
    - 10 ft. - 1/8 x 1/2 Gasket



# INSTALLATION INSTRUCTIONS

## FIELD INSTALLED HORIZONTAL ECONOMIZER ACCESSORY MODEL 2EE04706024

### Step 2:

Remove the Discharge Air Sensor from the fresh air damper and save for later installation (Steps 12).

### Step 3:

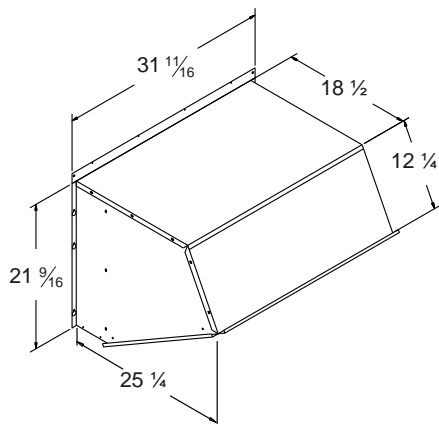
To assemble the Fresh Air Hood the following will be needed.

- 21 ea. - Type A #10 - 16 x ½ screws
- 10 ft. - ½ x ½ gasket

Follow these steps:

- A. Take (1) put align holes of (2) with holes of (1) and screw in place.
- B. Take (3 & 5) and align holes of (4) with holes of (3 & 5) and screw in place.
- C. Take (1 & 3) put the flange of (1) to the inside (2) and screw in place.
- D. Take (5) and screw in place like Step C.
- E. Take (6) and place flanges over (3 & 5) and secure.
- F. Slide filter (7) into (4).
- G. Take (8) and do the same as Step E.

Set Fresh Air Hood to the side for use in Step 10.



### Step 4:

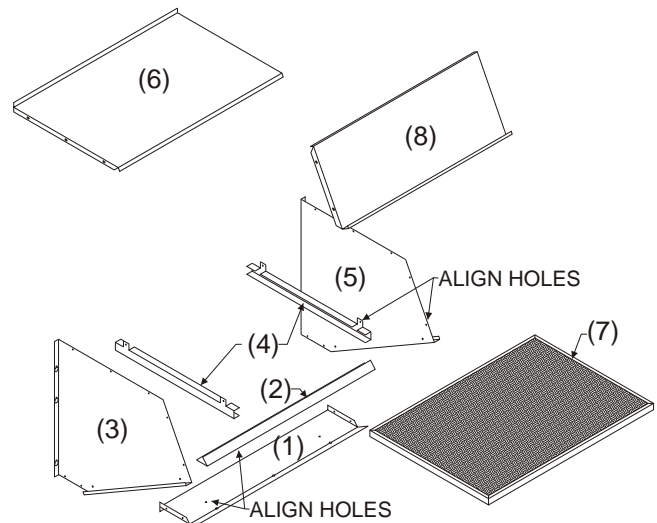
Remove the return air duct cover and the two (2) rear panels from the end of the unit as shown. Keep screws to use later in Steps 10 and 13. **Note:** Tinnerman clips have been supplied in case holes in the side flanges of the unit have been stripped. Attach (14) clips to the two side flanges as shown in figure.

HORIZONTAL DUCT OPENING WITH COVER AND END PANELS REMOVED

HOLES IN SIDE FLANGES FOR TINNEMAN CLIPS



DISCHARGE AIR SENSOR



# INSTALLATION INSTRUCTIONS

## FIELD INSTALLED HORIZONTAL ECONOMIZER ACCESSORY MODEL 2EE04706024



HOLES TO ATTACH RETURN AIR DAMPER

DAMPER BRACKET

### Step 5:

Install the return air damper into the horizontal return air duct opening as shown. Using the self tapping #10 - 16 x 1/2 screws provided secure to duct connection (two on each side). The two holes with bushings will be on the right hand side and the damper bracket will be on the damper bottom inside the unit.

### Step 6:

Slide the fresh air damper into the unit as shown using some of the screws removed in Step 5.



### Step 7:

Secure the fresh air damper to the unit with the screws removed in Step 4 through the slotted holes in the damper section.

**Do Not tighten screws at this time.**

### Step 8:

Connect the linkage from the fresh air damper to the return air damper. The linkage rod is shipped connected to the fresh air damper. To connect the linkage to the return air damper, open the return air damper and insert the rod through the opening in the damper bracket. With the rod through the return air damper bracket, tighten the set screw on the return air damper bracket as shown.

#### Note:

- A. Damper bracket is shipped in lower position. If installing in small cabinet reposition bracket to holes 8" above current location
- B. Linkage rod should be flush with the back of the fresh air damper bracket.



# INSTALLATION INSTRUCTIONS

## FIELD INSTALLED HORIZONTAL ECONOMIZER ACCESSORY MODEL 2EE04706024



ECONOMIZER CABLE

### Step 9:

Plug the economizer cable into the unit as shown. The "jumper" plug that ships with the unit should be removed and saved in the control compartment for future needs.

### Step 10:

Install the assembled Fresh Air Hood as shown. Using the "keyhole" slots on the barometric relief hood, place the barometric relief hood over the screws and slide down into the slots and tighten screws in place. Attach (4) tinnerman clips to the top flange of Fresh Air Hood as shown in figure.

**This is the time to tighten all screws that were previously not tightened.**



FLANGE ON HOOD SIDE

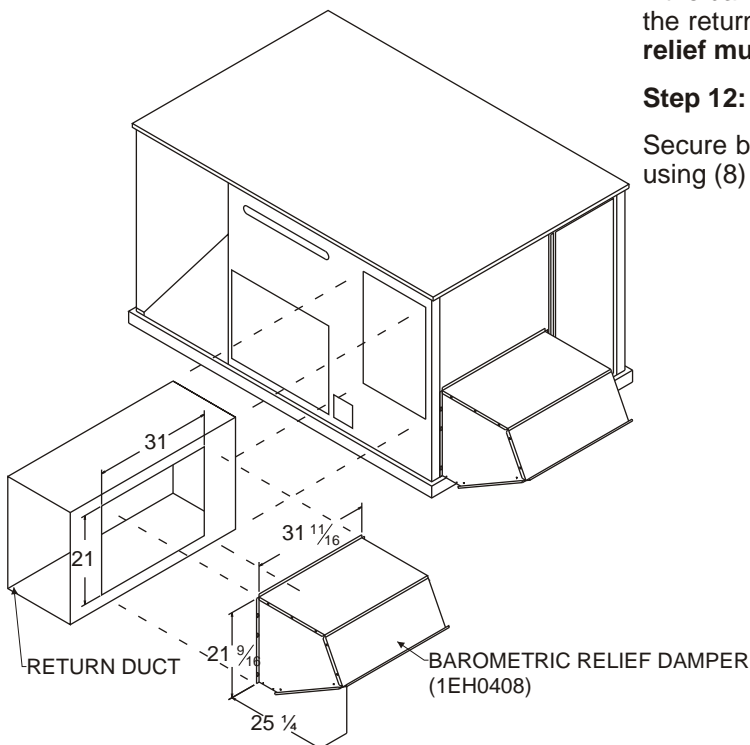
HOLES FOR TINNEMAN CLIPS

### Step 11:

If the barometric relief is to be installed cut a 31" x 21" hole in the return air duct near the Economizer. **(Note: barometric relief must be ordered separately.)**

### Step 12:

Secure barometric relief damper over hole in return air duct using (8) screws



# INSTALLATION INSTRUCTIONS

## FIELD INSTALLED HORIZONTAL ECONOMIZER ACCESSORY MODEL 2EE04706024

### Step 13:

Reinstall the top rear panel which was removed in Step 5 of the unit using the remaining screws also removed in Step 5.

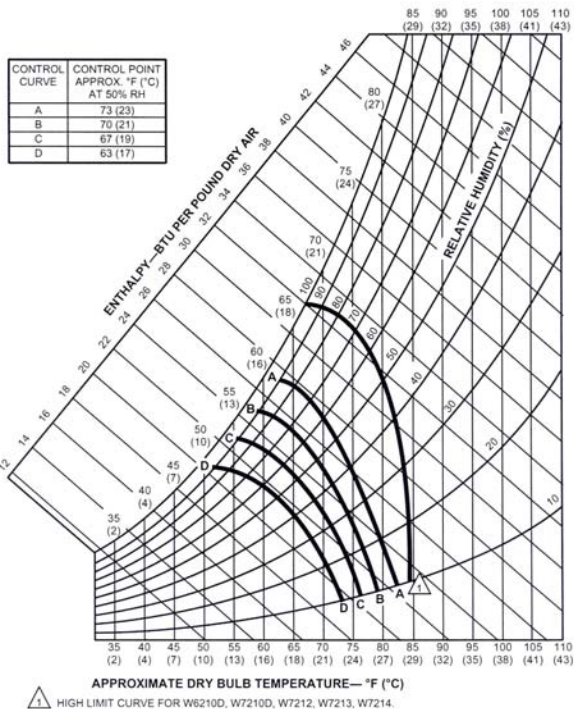
TOP REAR PANEL



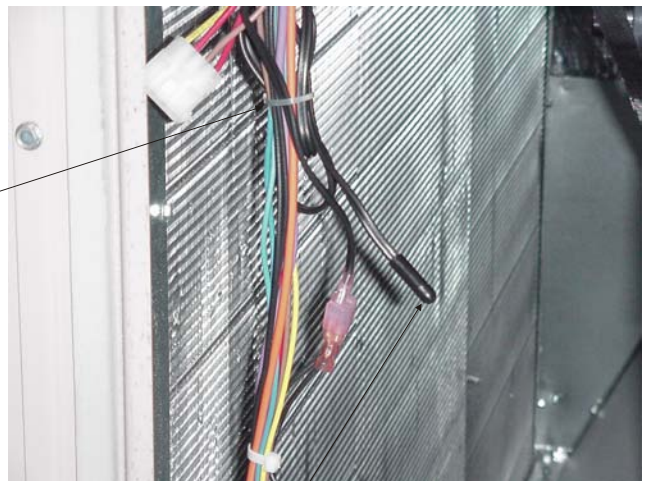
DISCHARGE AIR SENSOR WIRES

### Step 14:

The Discharge Air Sensor installs in the blower compartment of the unit. Open the access door to the blower and you will see a cable on the left side. The cable has two wires with insulated connectors that the Discharge Air Sensor plugs into. These wires are shown in the photo. Plug the Discharge Air Sensor wires into those provided inside the unit, and using a wire tie, strap the Discharge Air Sensor to the cable as shown below.



WIRE TIE



DISCHARGE AIR SENSOR

