

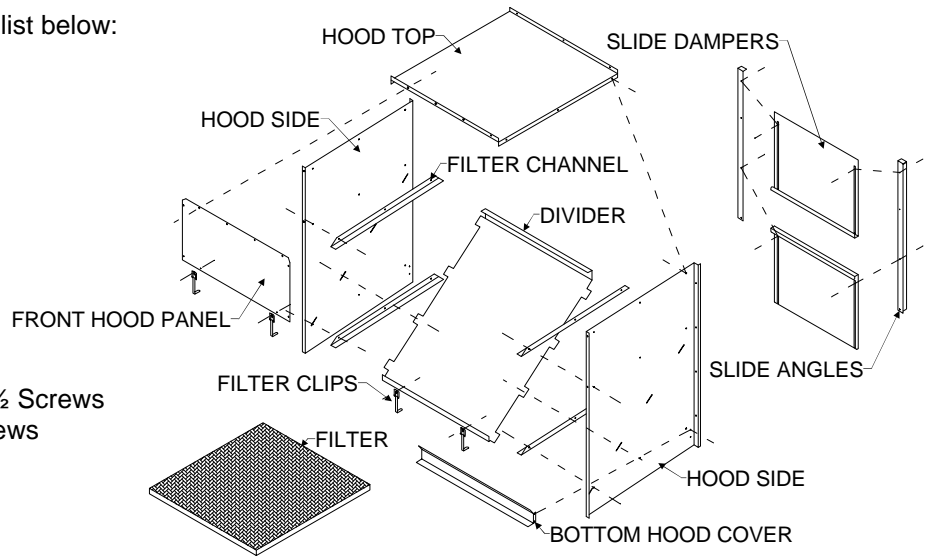
# INSTALLATION INSTRUCTIONS

## INSTALLATION INSTRUCTIONS 100% MANUAL FRESH AIR MODEL 1FA0412

### Step 1:

Check for correct number of parts. See list below:

- 1 ea. - Hood Top
- 2 ea. - Hood Sides
- 2 ea. - Slide Dampers
- 2 ea. - Slide Angles
- 1 ea. - Front Hood Panel
- 1 ea. - Divider
- 4 ea. - Filter Channels
- 1 ea. - Bottom Hood Cover
- 4 ea. - 24  $\frac{5}{8}$ " x 23  $\frac{1}{8}$ " x 1"  
Mist Eliminator Filters
- 1 ea. - Hardware Bag
- 16 ea. - Self Tapping #10 16 x  $\frac{1}{2}$  Screws
- 42 ea. - Type A #10 16 x  $\frac{1}{2}$  Screws
- 4 ea. - Filter Clips
- 10 ft -  $\frac{1}{8}$ " x  $\frac{1}{2}$ " Gasket



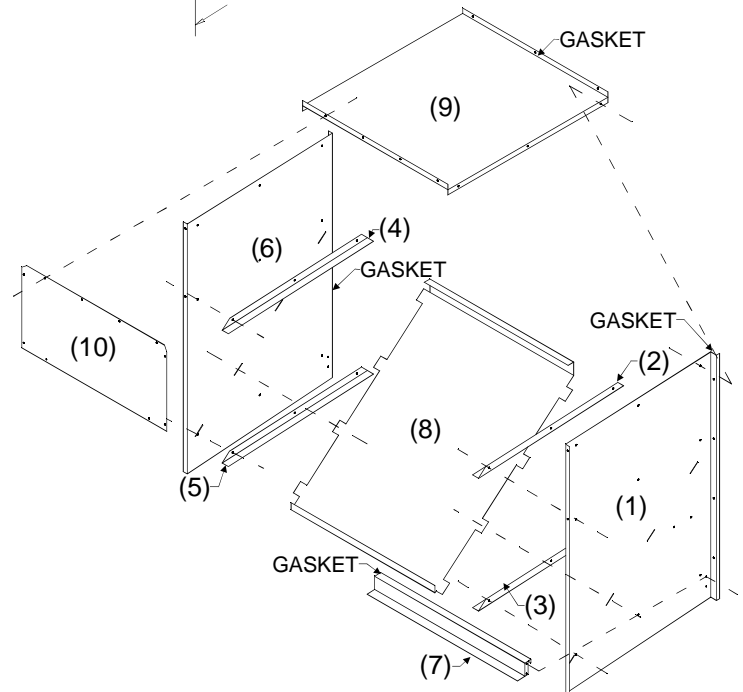
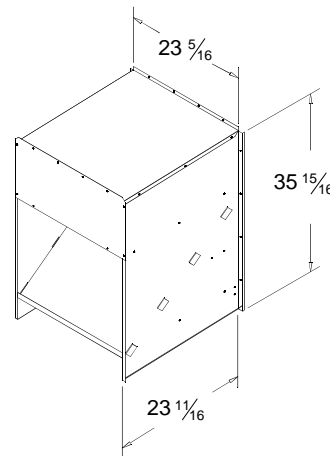
### Step 2:

To assemble the fresh air hood the following will be needed.

- 34 ea. - Type A #10 - 16 x  $\frac{1}{2}$  Screws
- 4 ea. - Filter Clips
- 10 ft. -  $\frac{1}{8}$  x  $\frac{1}{2}$  Gasket

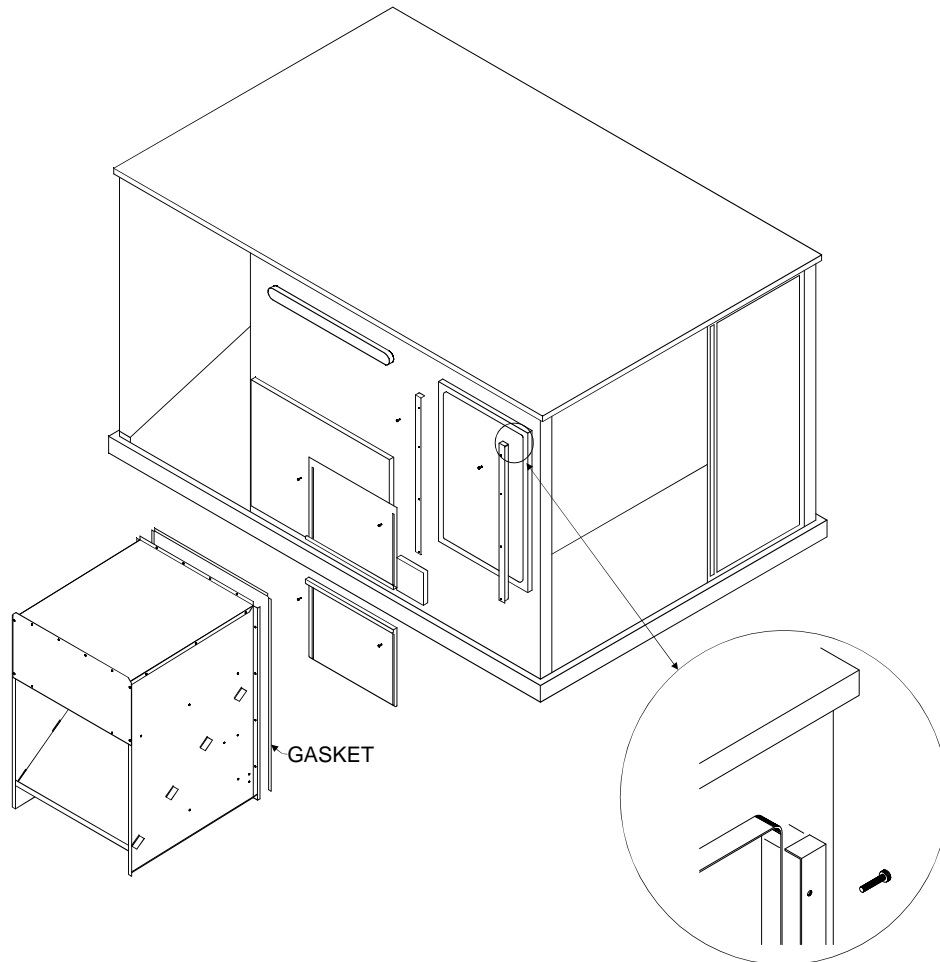
Follow these steps:

- A. Take (2 & 3) and screw through (1) into (2 & 3) using the Type A screws.
- B. Take (4 & 5) and screw through (6) into (4 & 5) using the Type A screws.
- C. Take (7) and put to the inside of (1 & 6) and secure with Type A screws.
- D. Take (8) and place tabs into slots of (1 & 6) and bend tabs down on the outside of (1 & 6).
- E. Take (9) and place flanges with the three holes over (1 & 6) and secure with Type A screws.
- F. Take (10) and secure to (1, 6, 9) with Type A screws.
- G. Take filter clips and screw to (8 & 10) with Type A screws.
- H. Place gasket on the back flanges of (1, 6, 7, 9)
- I. Install filters in the hood and fasten clips to hold in place.



# INSTALLATION INSTRUCTIONS

## INSTALLATION INSTRUCTIONS 100% MANUAL FRESH AIR MODEL 1FA0412



### Step 3:

Remove horizontal return air cover from unit

### Step 4:

Install slide angles with (4) - Self Tapping #10 - 16 x ½ screws over vertical flange of horizontal duct opening of unit. (Side angles should be flush with top of horizontal duct opening flange.)

### Step 5:

Install slide dampers on side angles with (8) Type A #10 - 16 x ½ screws.

### Step 6:

Adjust slide dampers to desired position.

### Step 7:

Install the assembled Fresh Air Hood as shown using #10 - 16 x ½ self tapping screws.

### Note:

**This accessory does not include any means for barometric relief. Use of this accessory assumes a proper air balance will be conducted and that there will be sufficient means to relieve internal building pressure rather than through the rooftop unit.**