



www.Source1Parts.com

HVAC SERVICE PARTS

P2DH SERIES DOWNFLOW/HORIZONTAL OIL FIRED FURNACE

Supersedes:035-17724-001 Rev. B (0103)

035-17724-001 Rev. C (0204)

1 of 8

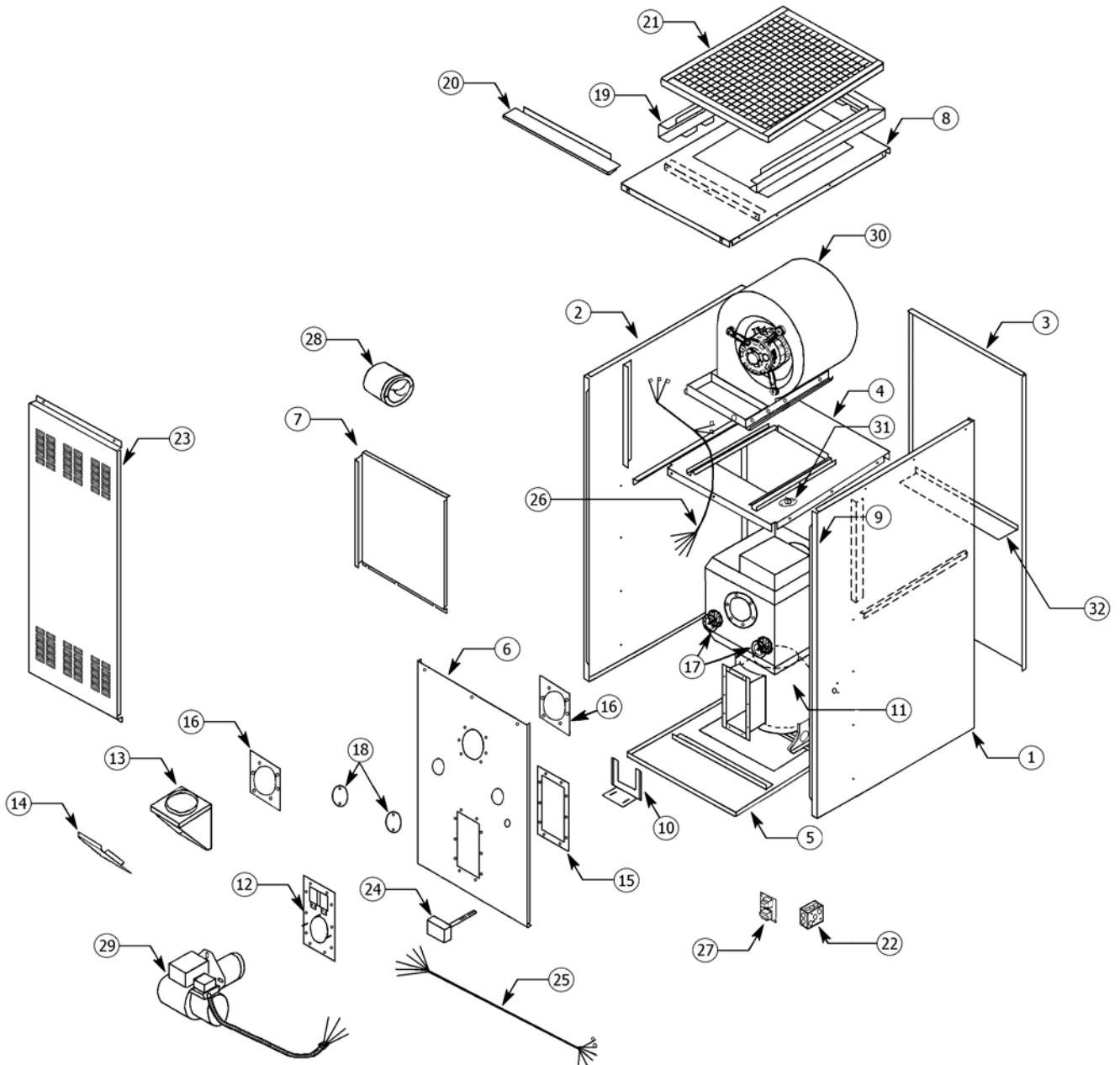


Figure 1 - P2DHX12F08001A

FIG	ITEM	DESCRIPTION	P2DHX12F08001A
1	1	Assembly, Right Side Panel	026-38752-000
1	2	Assembly, Left Side Panel	026-38747-000
1	3	Panel, Rear	026-38757-000
1	4	Assembly, Blower Division Panel	026-38744-000
1	5	Assembly, Base Panel	026-35675-006
1	6	Panel, Inner Front	026-35680-005
1	7	Door, Blower Access	026-38688-000
*	7A	Handle, Door	026-38694-000
*	7B	Bezel, Logo	026-35695-000
*	7C	Label, Logo	026-38696-000
1	8	Panel Assembly, Top	026-39190-000
1	9	Assembly, Heat Exchanger	026-38798-000
1	10	Bracket, Firepot Retainer	026-39133-000
1	11	Chamber, Replacement Combustion	028-13916-000
1	12	Assembly, Oil Burner Mounting Plate	026-35658-002
*	12A	Gasket, Inspection Door (Right)	028-13917-000
*	12B	Gasket, Inspection Door (Left)	028-13918-000
*	12C	Gasket, Inspection Door (Center)	028-13920-000
1	13	Assembly, Flue Collector	026-39130-000
1	14	Cover, Flue Collector	026-35657-000
1	15	Gasket, Pouch	028-13907-000
1	16	Gasket, Flue Pipe (2 Req'd)	028-13909-002
1	17	Assembly, Radiator Cleanout Cover (2 Req'd)	026-35656-000
*	17A	Gasket, Clean-out Cover (2 Req'd)	028-13908-000
1	18	Cover, Casing Clean-out (2 Req'd)	026-35645-002
1	19	Frame, Filter	026-37421-000
1	20	End Support, Filter Frame	026-37422-000
1	21	Filter, Air - 16 x 25 x 1 (Permanent)	026-35676-001
1	22	Box, Junction	026-39127-000
1	23	Panel, Front Door	026-38692-000
1	24	Control, Fan & Limit (set @ 250 Deg. F.)	026-38672-000
1	25	Harness, Fan & Limit Wire	026-38789-000
1	26	Blower Direct, Wire Harness	026-38792-000
1	27	Center, Fan	026-38667-000
*	27A	Relay, Replacement	026-38668-000
1	28	Regulator, Draft	026-35365-002
1	29	Burner, Oil	026-38725-000
*	29A	Burner, Motor	026-38862-000
*	29B	Pump, Oil	026-38738-000
*	29C	Ignitor, Solid State	026-37418-000
*	29D	Control, Primary Combustion	026-38665-000
*	29E	Combination, Air Tube	026-37417-000
*	29F	Head, Flame Retention	026-37416-000
*	29G	Nozzle 0.65/ 60 Deg. A	026-38710-000

<

NOTE: *Not ShownNew replacement parts shown in **bold** face type at the first printing of parts list dated 2/04.

Major components and suggested stocking items are shown with shaded item number.

“<” Across from row indicates a change in that row.

--- Not applicable to specified model.

FIG	ITEM	DESCRIPTION	P2DHX12F08001A
1	30	Assembly, Blower (Complete)	026-38698-000
*	30A	Housing and Wheel, Blower	026-35652-006
*	30B	Wheel, Blower	026-38705-000
*	30C	Motor, Blower	024-27845-000
*	30D	Band, Motor Mount	026-38677-000
*	30E	Arms, Motor Mount (3 Req'd)	026-38679-000
*	30F	Capacitor, Run	024-31999-000
*	30G	Strap, Capacitor	026-38680-000
*	30H	Insulator, Capacitor	026-38683-000
*	30I	Side Rail, Blower (2 Req'd)	026-39159-000
*	30J	Bracket Blower Front	026-39160-000
1	31	Limit, Auxillary (160 Deg. F.)	025-33714-002
1	32	Baffle, Rear Panel	026-39161-000

NOTE: *Not Shown

New replacement parts shown in **bold** face type at the first printing of parts list dated 2/04.

Major components and suggested stocking items are shown with shaded item number.

"<" Across from row indicates a change in that row.

-- Not applicable to specified model.



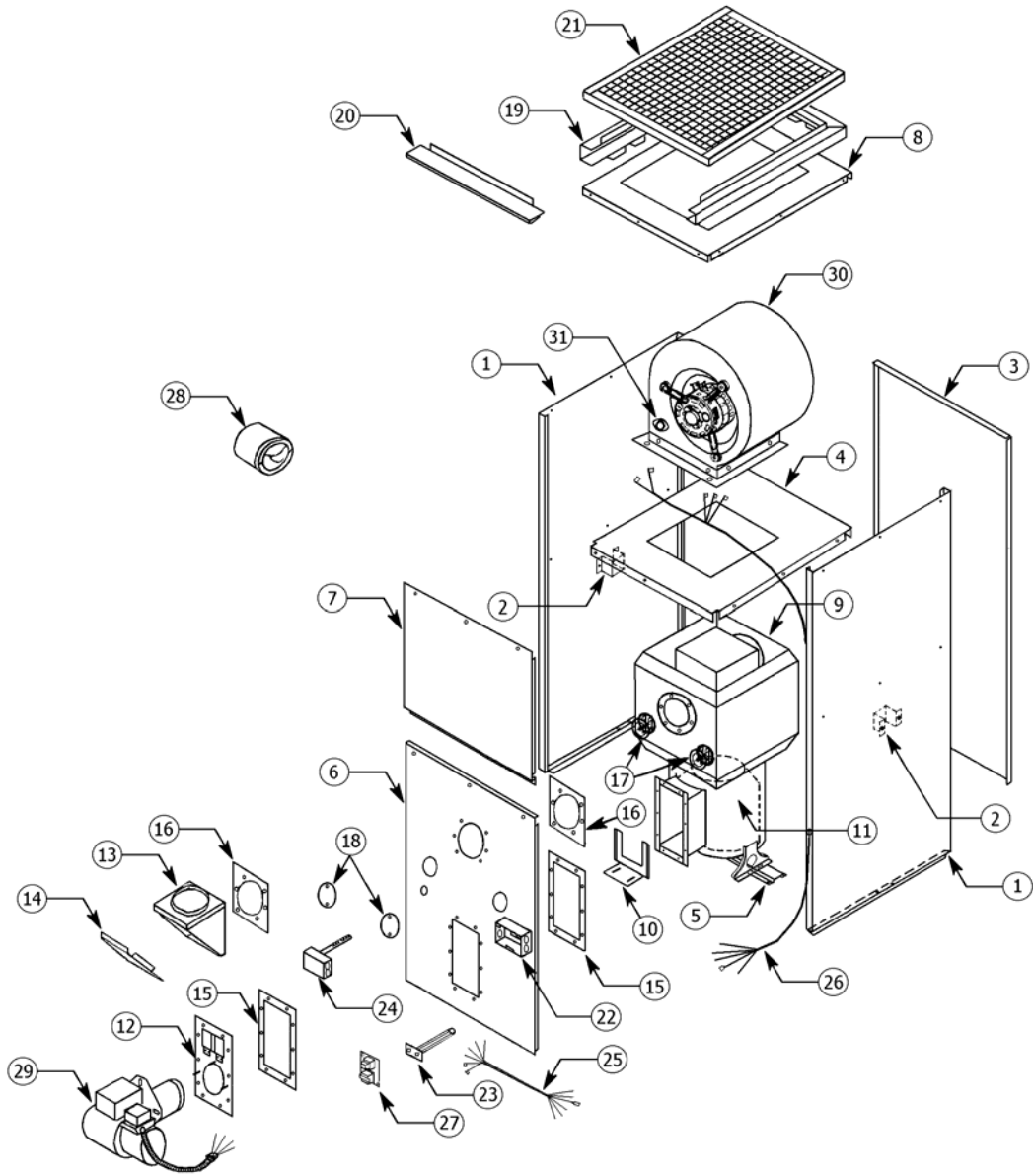


Figure 2 - P2DHX16F12001A

FIG	ITEM	DESCRIPTION	P2DHX16F12001A
2	1	Side Panel, Right and Left (2 Req'd)	026-39137-000
2	2	Side Panel (Heat Exchanger (2 Req'd)	026-39144-000
2	3	Panel, Rear	026-38763-000
2	4	Assembly, Blower Division Panel	026-38777-000
2	5	Support, Base Heat Exchanger	026-39145-000
2	6	Panel, Front	026-38768-000
2	7	Door, Blower Access	026-38782-000
*	7A	Handle, Door	026-38694-000
*	7B	Bezel, Logo	026-38695-000
*	7C	Label, Logo	026-38696-000
2	8	Panel, End	026-35675-003
2	9	Assembly, Heat Exchanger	026-35651-003
2	10	Bracket, Firepot Retainer	026-35686-000
2	11	Chamber, Replacement Combustion	028-13916-000
2	12	Assembly, Oil Burner Mounting Plate	026-35658-002
*	12A	Gasket, Inspection Door (Right)	028-13917-000
*	12B	Gasket, Inspection Door (Left)	028-13918-000
*	12C	Gasket, Inspection Door (Center)	028-13920-000
2	13	Assembly, Flue Collector	026-35661-001
2	14	Cover, Flue Collector	026-35657-000
2	15	Gasket, Pouch (2 Req'd)	028-13907-000
2	16	Gasket, Flue Pipe (2 Req'd)	028-13909-002
2	17	Assembly, Radiator Cleanout Cover (2 Req'd)	026-35656-000
*	17A	Gasket, Cleanout Cover (2 Req'd)	028-13908-000
2	18	Cover, Casing Clean-out (2 Req'd)	026-35645-002
2	19	Frame, Filter	026-38719-000
2	20	End Support, Filter Frame	026-38720-000
2	21	Filter, Air - 16 x 25 x 1 (Permanent)	026-35676-001
2	22	Box, Junction	026-38736-000
2	23	Limit Switch, Secondary - 200 Deg. F.	026-38673-000
2	24	Control, Fan & Limit (set @ 220 Deg. F.)	026-38671-000
2	25	Harness, Fan & Limit Wire	026-38786-000
2	26	Blower Direct, Wire Harness	026-38793-000
2	27	Center, Fan	026-38667-000
*	27A	Relay, Replacement	026-38668-000
2	28	Regulator, Draft	026-35659-001
2	29	Burner, Oil	026-35670-000
*	29A	Burner, Motor	026-38862-000
*	29B	Pump, Oil	026-38738-000
*	29C	Ignitor, Solid State	026-37418-000
*	29D	Control, Primary Combustion	026-38664-000
*	29E	Combination, Air Tube	026-35683-000
*	29F	Head, Flame Retention (120,000 BTU) Head, Flame Retention (130,000 BTU)	026-37434-000 026-39149-000
*	29G	Nozzle 1.00/ 60 Deg. A Nozzle 1.00/ 70 Deg. A	026-38713-000 026-38714-000

NOTE: *Not ShownNew replacement parts shown in **bold** face type at the first printing of parts list dated 2/04.

Major components and suggested stocking items are shown with shaded item number.

“<” Across from row indicates a change in that row.

--- Not applicable to specified model.

FIG	ITEM	DESCRIPTION	P2DHX16F12001A
2	30	Assembly, Blower (Complete)	026-38697-000
*	30A	Housing and Wheel, Blower	026-35652-005
*	30B	Wheel, Blower	026-38706-000
*	30C	Motor, Blower	024-27845-000
*	30D	Band, Motor Mount	026-38677-000
*	30E	Arms, Motor Mount (3 Req'd)	026-38678-000
*	30F	Capacitor, Run	024-31999-000
*	30G	Strap, Capacitor	026-38680-000
*	30H	Insulator, Capacitor	026-38683-000
*	30I	Side Rail, Blower (2 Req'd)	026-39151-000
*	30J	Bracket Blower Front	026-39152-000
2	31	Limit, Auxillary (130 Deg. F.)	025-33713-000

NOTE: *Not Shown

New replacement parts shown in **bold** face type at the first printing of parts list dated 2/04.

Major components and suggested stocking items are shown with shaded item number.

"<" Across from row indicates a change in that row.

--- Not applicable to specified model.



NOTES

TO ORDER AUTHORIZED FACTORY REPLACEMENT PARTS - Contact your Source1 HVAC Parts Distributor or visit our website at www.Source1Parts.com for a Distributor and Dealer listing.