



www.Source1Parts.com

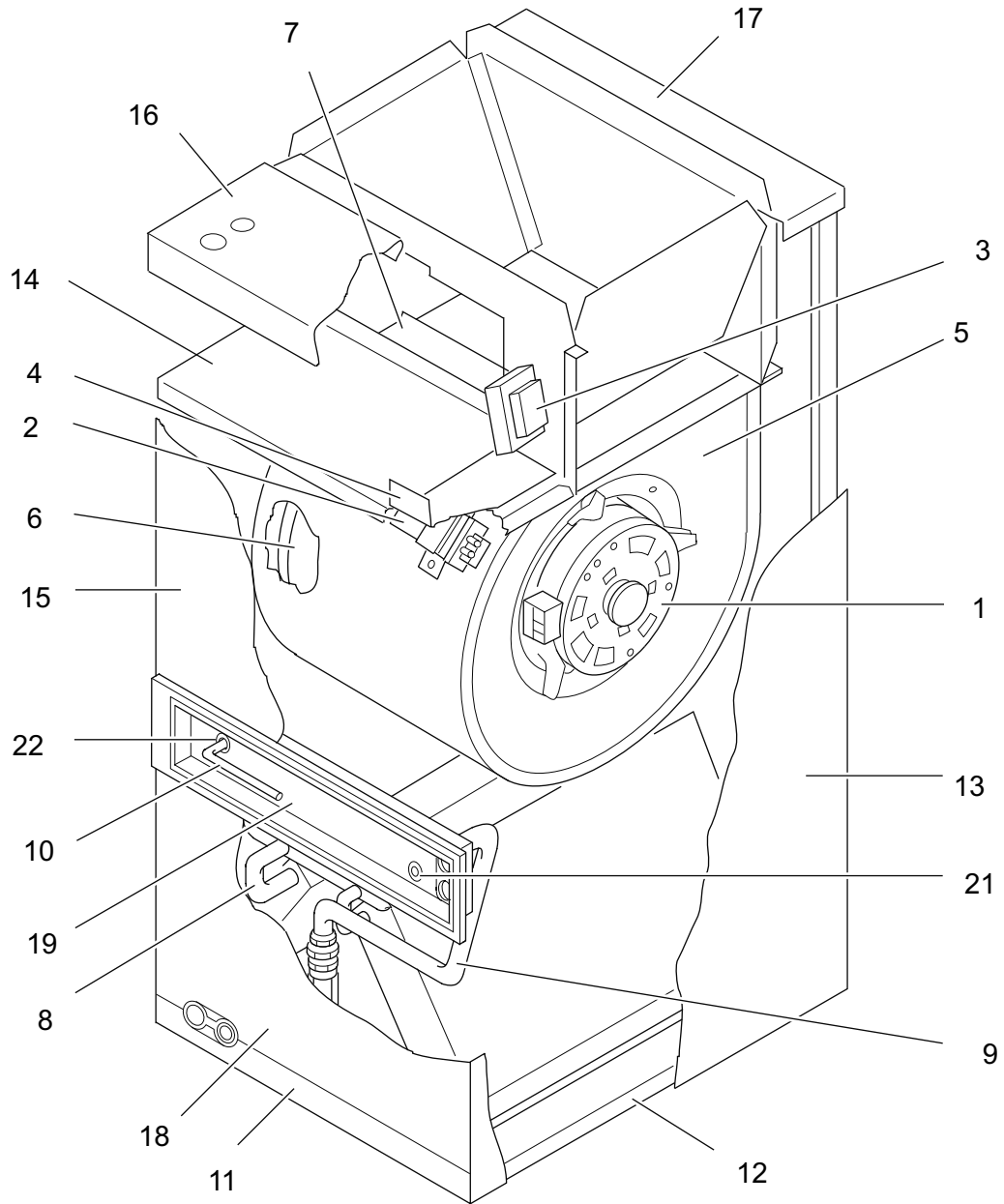
HVAC SERVICE PARTS

F2RC SERIES FAN COIL UNIT (STYLE B)

Supersedes:035-16491-001 Rev. C (0902)

035-16491-001 Rev. D (0303)

1 of 4



Models 24, 30, and 36

ITEM	DESCRIPTION	F2RC024N06B	F2RC030N06B	F2RC036N06B
1	Motor, Direct Drive Blower	024-25982-000	024-26086-000	024-26087-000
2	Capacitor (10MFD)	024-20046-000	024-20046-000	024-20046-000
3	Transformer	025-18452-000	025-18452-000	025-18452-000
4	Module, Control	031-01264-002	031-01264-002	031-01264-002
5	Housing, Blower	373-18075-001	373-18075-002	373-18075-002
6	Wheel, Blower	026-34004-000	026-34005-000	026-34005-000
7	Cutoff, Blower	073-14495-000	073-14494-000	073-14494-000
8	Complete Coil w/Drain Pan	373-18106-002	373-18106-001	373-18108-002
9	Distributor w/Orifice	022-08972-061	022-08972-065	022-08972-073
10	Manifold Assembly	373-15519-001	373-14582-001	373-14588-001
11	Door, Filter	073-20960-000	073-20960-000	073-20960-000
12	Pan, Drain	032-00172-000	032-00172-000	032-00172-000
13	Wrapper	373-20995-001	373-20995-001	373-20995-001
14	Panel, Control	073-17920-000	073-17920-000	073-17920-000
15	Panel, Door (Top)	373-15383-001	373-15383-001	373-15383-001
16	Panel, Front Top	373-15422-001	373-15422-001	373-15422-001
17	Panel, Rear Top	373-15421-001	373-15421-001	373-15421-001
18	Panel, Bottom (Front)	373-15384-001	373-15384-001	373-15384-001
19	Panel, Recessed	032-00148-001	032-00148-001	032-00148-001
20*	Plate, Circuit Breaker	032-00161-000	032-00161-000	032-00161-000
21	Grommet, 3/8"	028-13202-000	028-13202-000	028-13202-000
22	Grommet, 5/8" Grommet, 3/4"	028-13203-000 ---	--- 028-13204-000	--- 028-13204-000
23*	Diagram, Wiring	035-14500-000	035-14500-000	035-14500-000
24*	Paint, Touch-up	513-02881-700	513-02881-700	513-02881-700
25*	Valve Cap, Knurled	023-10745-000	023-10745-000	023-10745-000
26*	Harness, Power (4 Pin)	373-15424-001	373-15424-001	373-15424-001
27*	Harness, Low Volt Plug (Jumper)	373-15425-001	373-15425-001	373-15425-001

<

<

NOTE: *Not ShownNew replacement parts shown in **bold** face type at the first printing of parts list dated 3/03.

Major components and suggested stocking items are shown with shaded item number.

“<” Across from row indicates a change in that row.

--- Not applicable to specified model.

***Heat Kit Service Parts:**

ITEM	DESCRIPTION	2.5 KW W/O Breaker 2HK06500206B	2.5 KW W/Breaker 2HK16500206B	5 KW W/O Breaker 2HK6500506B	5 KW W/Breaker 2HK16500506B
1	Block, Terminal (1 Req'd)	025-29125-000	---	025-29125-000	---
2	Element, Heating (1 Req'd)	025-30871-000	025-30872-000	025-30873-000	025-30874-000
3	Control, Temperature	025-32606-000	025-32606-000	025-32606-000	025-32606-000
4	Breaker, Circuit (15A) Breaker, Circuit (30A)	---	024-25298-001 ---	---	---

ITEM	DESCRIPTION	7.5 KW W/O Breaker 2HK06500806B	7.5 KW W/Breaker 2HK16500806B	10 KW W/O Breaker 2HK06501006B	10 KW W/Breaker 2HK16501006B
1	Block, Terminal (1 Req'd)	025-29125-000	---	025-29125-000	---
2	Element, Heating (1 Req'd)	025-30875-000	025-30876-000	025-30877-000	025-33327-000
3	Control, Temperature	025-32606-000	025-32606-000	025-32606-000	025-32606-000
4	Breaker, Circuit (45A) Breaker, Circuit (60A)	---	024-25298-004 ---	---	---
5	Relay, Electrical	024-25986-000	024-25986-000	024-25986-000	024-25986-000

ITEM	DESCRIPTION	15 KW W/Breaker 2HK16501506B	18 KW W/Breaker 2HK16501806B	20 KW W/Breaker 2HK16502006B	25 KW W/Breaker 2HK16502506B
1	Element, Heating (1 Req'd)	025-33328-000	025-33473-000	025-30880-000	025-30881-000
2	Control, Temperature	025-32606-000	025-32606-000	025-32606-000	025-32606-000
3	Breaker, Circuit (30A, 1 Req'd) Breaker, Circuit (45A, 3 Req'd)	024-25298-002 ---	---	---	024-25298-002 ---
4	Breaker, Circuit (60A, 1 Req'd) Breaker, Circuit (60A, 2 Req'd)	024-25298-003 ---	---	---	---
5	Jumper Bar	025-30891-000	024-26053-000	025-30891-000	025-26053-000
6	Cover, 4 Pole Cover, 6 Pole	032-00006-700 ---	---	032-00006-700	---
7	Relay, Electrical (2 Req'd) Relay, Electrical (3 Req'd) Relay, Electrical (4 Req'd)	024-25986-000 ---	024-27588-000 ---	---	---
8	Lug, Electrical (Ground), (1 Req'd) Lug, Electrical (Ground), (2 Req'd)	025-21798-000 ---	---	025-21798-000 ---	---

NOTE: *Not Shown

New replacement parts shown in **bold** face type at the first printing of parts list dated 3/03.

Major components and suggested stocking items are shown with shaded item number.

"<" Across from row indicates a change in that row.

--- Not applicable to specified model.



TO ORDER AUTHORIZED FACTORY REPLACEMENT PARTS - Contact your Source1 HVAC Parts Distributor or visit our website at www.Source1Parts.com for a Distributor and Dealer listing.

This document appends 535.02-RP1V (698)