



www.Source1Parts.com

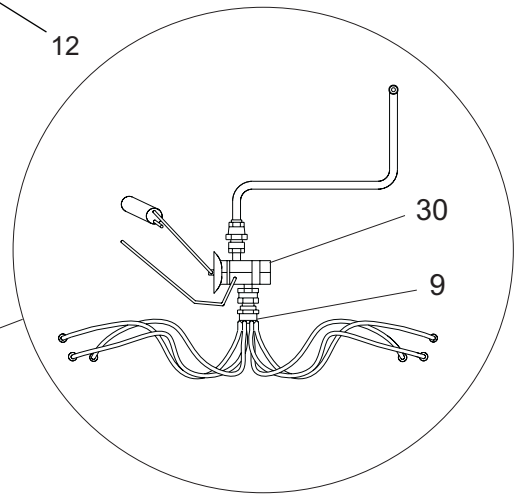
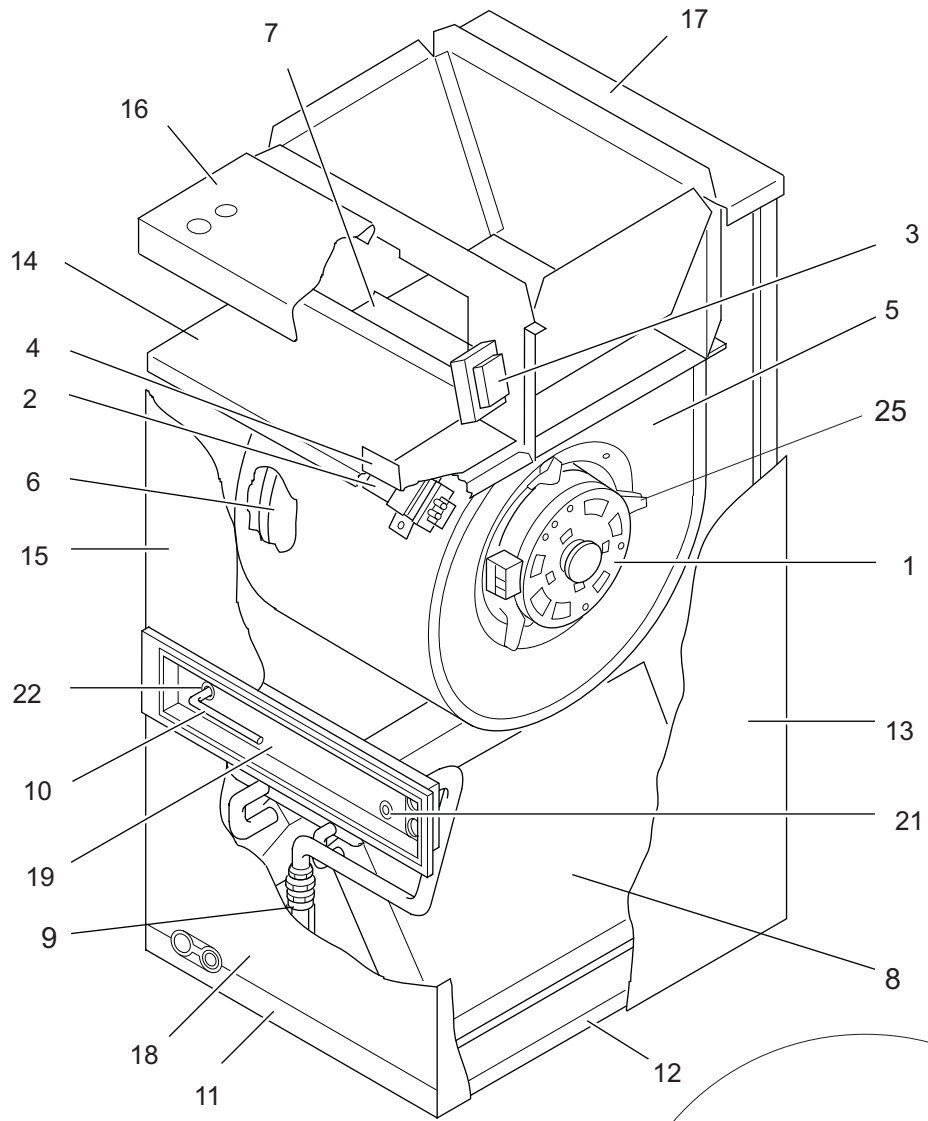
HVAC SERVICE PARTS

F2RP (B), F3RP (TA) SERIES FAN COIL UNIT

Supersedes:035-16490-001 Rev. B (0602)

035-16490-002 Rev. A (0902)

1 of 8



ITEM #31
F3RP (TA) ONLY

Models F2RP18, 24, 30, 36, and 42

ITEM	DESCRIPTION	F2RP018N06B	F2RP024N06B	F2RP030N06B	F2RP036N06B	F2RP042N06B
		F2RP018H06B	F2RP024H06B	F2RP030H06B	F2RP036H06B	F2RP042H06B
1	Motor, Direct Drive Blower	024-25982-000	024-25982-000	024-26086-000	024-26087-000	024-25985-000
2	Capacitor (10MFD) Capacitor (12.5MFD)	024-20046-000 ---	024-20046-000 ---	024-20046-000 ---	024-20046-000 ---	--- 024-25899-000
3	Transformer	025-18452-000	025-18452-000	025-18452-000	025-18452-000	025-18452-000
4	Module, Control	031-01264-002	031-01264-002	031-01264-002	031-01264-002	031-01264-002
5	Housing, Blower	373-15361-001	373-18075-001	373-18075-002	373-18075-002	373-18075-002
6	Wheel, Blower	026-34003-000	026-34004-000	026-34005-000	026-34005-000	026-34005-000
7	Cutoff, Blower	073-14495-000	073-14495-000	073-14494-000	073-14494-000	073-14494-000
8	Complete Coil w/Drain Pan	373-18109-001	373-18110-001	373-18108-001	373-18111-001	373-18112-001
9	Distributor w/Orifice	022-08971-053	022-08972-061	022-08972-065	022-08974-075	022-08974-078
10	Manifold Assembly	373-15415-001	373-14584-001	373-14588-001	373-15357-001	373-17539-001
11	Door, Filter	073-20960-000	073-20960-000	073-20960-000	073-20961-000	073-20961-000
12	Pan, Drain	032-00172-000	032-00172-000	032-00172-000	032-00173-000	032-00173-000
13	Wrapper	373-20995-001	373-20995-001	373-20995-001	373-20995-002	373-20995-002
14	Panel, Control	073-17920-000	073-17920-000	073-17920-000	073-22087-000	073-22087-000
15	Panel, Door (Top)	373-15383-001	373-15383-001	373-15383-001	373-15383-002	373-15383-002
16	Panel, Front Top	373-15422-001	373-15422-001	373-15422-001	373-15422-002	373-15422-002
17	Panel, Rear Top	373-15421-001	373-15421-001	373-15421-001	373-15421-002	373-15421-002
18	Panel, Bottom (Front)	373-15384-001	373-15384-001	373-15384-001	373-15384-002	373-15384-002
19	Panel, Recessed (N-model) Panel, Recessed (H-model)	032-00148-001 032-00148-004	032-00148-001 032-00148-004	032-00148-001 032-00148-004	032-00148-002 032-00148-005	032-00148-002 032-00148-005
20*	Plate, Circuit Breaker	032-00161-000	032-00161-000	032-00161-000	032-00161-000	032-00161-000
21	Grommet, 3/8"	028-13202-000	028-13202-000	028-13202-000	028-13202-000	028-13202-000
22	Grommet, 5/8" Grommet, 3/4" Grommet, 7/8"	028-13203-000 --- ---	028-13203-000 --- ---	--- 028-13204-000 ---	--- 028-13204-000 ---	--- --- 028-13205-000
23*	Diagram, Wiring	035-14500-000	035-14500-000	035-14500-000	035-14500-000	035-14500-000
24*	Paint, Touch-up	513-02881-700	513-02881-700	513-02881-700	513-02881-700	513-02881-700
25	Arm, Motor Mount (See Note 1)	---	---	---	---	026-34006-000
26*	Band, Motor Mounting (See Note 1)	---	---	---	---	026-23780-000
27*	Pan, Horizontal Drain (H-model)	032-00175-000	032-00175-000	032-00175-000	032-00175-000	032-00175-000
28*	Valve Cap, Knurled	023-10745-000	023-10745-000	023-10745-000	023-10745-000	023-10745-000
29*	Stand-off, Plastic	028-13201-000	028-13201-000	028-13201-000	028-13201-000	028-13201-000
30*	Harness, Power (4 Pin)	373-15424-001	373-15424-001	373-15424-001	373-15424-001	373-15424-001
31*	Harness, Low Volt Plug (Jumper)	373-15425-001	373-15425-001	373-15425-001	373-15425-001	373-15425-001

NOTE: *Not ShownNew replacement parts shown in **bold** face type at the first printing of parts list dated 9/02.

Major components and suggested stocking items are shown with shaded item number.

"←" Across from row indicates a change in that row.

--- Not applicable to specified model.

1 Where Motor Mount Arms and Band are not specified, they come as part of the motor.

Models F3RP024, 30, 36, and 42 (Factory Installed TXV Valve)

ITEM	DESCRIPTION	F3RP024H06TA	F3RP030H06TA	F3RP036H06TA	F3RP042H06TA	<
1	Motor, Direct Drive Blower	024-25982-000	024-26086-000	024-26087-000	024-25985-000	
2	Capacitor (10MFD) Capacitor (12.5MFD)	024-20046-000 ---	024-20046-000 ---	024-20046-000 ---	--- 024-25899-000	
3	Transformer	025-18452-000	025-18452-000	025-18452-000	025-18452-000	
4	Module, Control	031-01264-002	031-01264-002	031-01264-002	031-01264-002	
5	Housing, Blower	373-18075-001	373-18075-002	373-18075-002	373-18075-002	
6	Wheel, Blower	026-34004-000	026-34005-000	026-34005-000	026-34005-000	
7	Cutoff, Blower	073-14495-000	073-14494-000	073-14494-000	073-14494-000	
8	Complete Coil w/Drain Pan	373-18110-101	373-18108-101	373-18111-101	373-18112-101	
9	Distributor w/Orifice	022-08972-061	022-08972-065	022-08974-075	022-08974-078	
10	Header Assembly	373-14584-101	373-14588-101	373-15357-101	373-17539-101	
11	Door, Filter	073-20960-000	073-20960-000	073-20961-000	073-20961-000	
12	Pan, Drain	032-00172-000	032-00172-000	032-00173-000	032-00173-000	
13	Wrapper	373-20995-001	373-20995-001	373-20995-002	373-20995-002	
14	Panel, Control	073-17920-000	073-17920-000	073-22087-000	073-22087-000	
15	Panel, Door (Top)	373-15383-001	373-15383-001	373-15383-002	373-15383-002	
16	Panel, Front Top	373-15422-001	373-15422-001	373-15422-002	373-15422-002	
17	Panel, Rear Top	373-15421-001	373-15421-001	373-15421-002	373-15421-002	
18	Panel, Bottom (Front)	373-15384-001	373-15384-001	373-15384-002	373-15384-002	
19	Panel, Recessed	032-00148-004	032-00148-004	032-00148-005	032-00148-005	
20*	Plate, Circuit Breaker	032-00161-000	032-00161-000	032-00161-000	032-00161-000	
21	Grommet, 3/8"	028-13202-000	028-13202-000	028-13202-000	028-13202-000	
22	Grommet, 5/8" Grommet, 3/4" Grommet, 7/8"	028-13203-000 --- ---	--- 028-13204-000 ---	--- 028-13204-000 ---	--- --- 028-13205-000	
23*	Diagram, Wiring	035-14500-000	035-14500-000	035-14500-000	035-14500-000	
24*	Paint, Touch-up	513-02881-700	513-02881-700	513-02881-700	513-02881-700	
25	Arm, Motor Mount (See Note 1)	---	---	---	026--34006-000	
26*	Band, Motor Mounting (See Note1)	---	---	---	026-23780-000	
27*	Pan, Horizontal Drain	032-00175-000	032-00175-000	032-00175-000	032-00175-000	
28*	Valve Cap, Knurled	023-10745-000	023-10745-000	023-10745-000	023-10745-000	
29*	Stand-off, Plastic	028-13201-000	028-13201-000	028-13201-000	028-13201-000	
30	Valve, TXV	025-31988-000	025-31988-000	025-31989-000	025-31989-000	
31	Distributor Assembly w/TXV	373-19721-007	373-19721-006	373-19721-005	373-19721-004	
32*	Harness, Power (4 Pin)	373-15424-001	373-15424-001	373-15424-001	373-15424-001	
33*	Harness, Low Volt Plug (Jumper)	373-15425-001	373-15425-001	373-15425-001	373-15425-001	

NOTE: *Not Shown

New replacement parts shown in **bold** face type at the first printing of parts list dated 9/02.

Major components and suggested stocking items are shown with shaded item number.

"<" Across from row indicates a change in that row.

--- Not applicable to specified model.

1 Where Motor Mount Arms and Bands are not specified, they come as part of the motor.

***Heat Kit Service Parts:**

ITEM	DESCRIPTION	2.5 KW	2.5 KW	5 KW	5 KW
		W/O Breaker 2HK06500206B	W/Breaker 2HK16500206B	W/O Breaker 2HK06500506B	W/Breaker 2KH16500506B
1	Block, Terminal (1 Req'd)	025-29125-000	---	025-29125-000	---
2	Element, Heating (1 Req'd)	025-30871-000	025-30872-000	025-30873-000	025-30874-000
3	Control, Temperature	025-32606-000	025-32606-000	025-32606-000	025-32606-000
4	Breaker, Circuit (15A) Breaker, Circuit (30A)	---	024-25298-001 ---	---	---

ITEM	DESCRIPTION	7.5 KW	7.5 KW	10 KW	10 KW
		W/O Breaker 2HK06500806B	W/Breaker 2HK16500806B	W/O Breaker 2HK06501006B	W/Breaker 2HK16501006B
1	Block, Terminal (1 Req'd)	025-29125-000	---	025-29125-000	---
2	Element, Heating (1 Req'd)	025-30875-000	025-30876-000	025-30877-000	025-33327-000
3	Control, Temperature	025-32606-000	025-32606-000	025-32606-000	025-32606-000
4	Breaker, Circuit (45A) Breaker, Circuit (60A)	---	024-25298-004 ---	---	---
5	Relay, Electrical	024-25986-000	024-25986-000	024-25986-000	024-25986-000

ITEM	DESCRIPTION	15 KW	18 KW	20 KW	25 KW
		W/Breaker 2HK16501506B	W/Breaker 2HK16501806B	W/Breaker 2HK16502006B	W/Breaker 2HK16502506B
1	Element, Heating (1 Req'd)	025-33328-000	025-33473-000	025-30880-000	025-30881-000
2	Control, Temperature	025-32606-000	025-32606-000	025-32606-000	025-32606-000
3	Breaker, Circuit (30A, 1 Req'd) Breaker, Circuit (45A, 3 Req'd)	024-25298-002 ---	---	---	024-25298-002 ---
4	Breaker, Circuit (60A, 1 Req'd) Breaker, Circuit (60A, 2 Req'd)	024-25298-003 ---	---	---	---
5	Jumper Bar	025-30891-000	024-26053-000	025-30891-000	025-26053-000
6	Cover, 4 Pole Cover, 6 Pole	032-00006-700 ---	---	032-00006-700 ---	---
7	Relay, Electrical (2 Req'd) Relay, Electrical (3 Req'd) Relay, Electrical (4 Req'd)	024-25986-000 ---	024-27588-000 ---	---	---
8	Lug, Electrical (Ground), (1 Req'd) Lug, Electrical (Ground), (2 Req'd)	025-21798-000 ---	---	025-21798-000 ---	---

NOTE: *Not ShownNew replacement parts shown in **bold** face type at the first printing of parts list dated 9/02.

Major components and suggested stocking items are shown with shaded item number.

“<” Across from row indicates a change in that row.

--- Not applicable to specified model.



NOTES

NOTES

NOTES

TO ORDER AUTHORIZED FACTORY REPLACEMENT PARTS - Contact your Source1 HVAC Parts Distributor or visit our website at www.Source1Parts.com for a Distributor and Dealer listing.

This document appends: 535.02-RP10V (698)